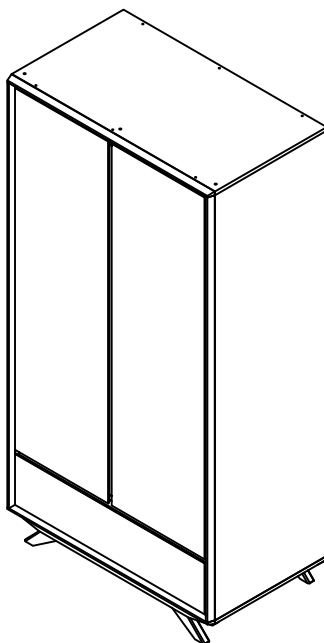


# DOUBLE WARDROBE

Stock number: 4007-82

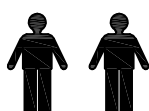
Thank you for purchasing this product. Please read the instructions carefully before use to ensure safe and satisfactory operation of this product.



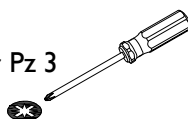
## Pre-assembly preparation

Please ensure instructions are read in full before attempting to assemble this product.

**Necessary Tools :** Pozi screwdriver and Phillips screwdriver



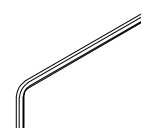
Pz 2 or Pz 3



Ph 2



( Included )



Please check the pack contents before attempting to assemble this product. A full checklist of components is given in this leaflet. If any components are missing, please contact the retailer from whom you bought this product.

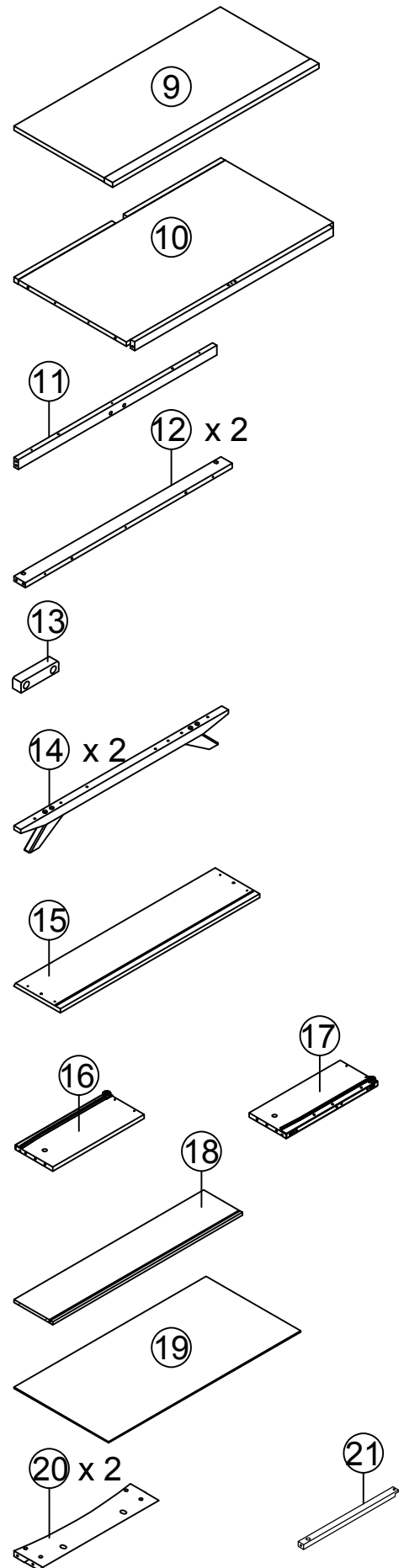
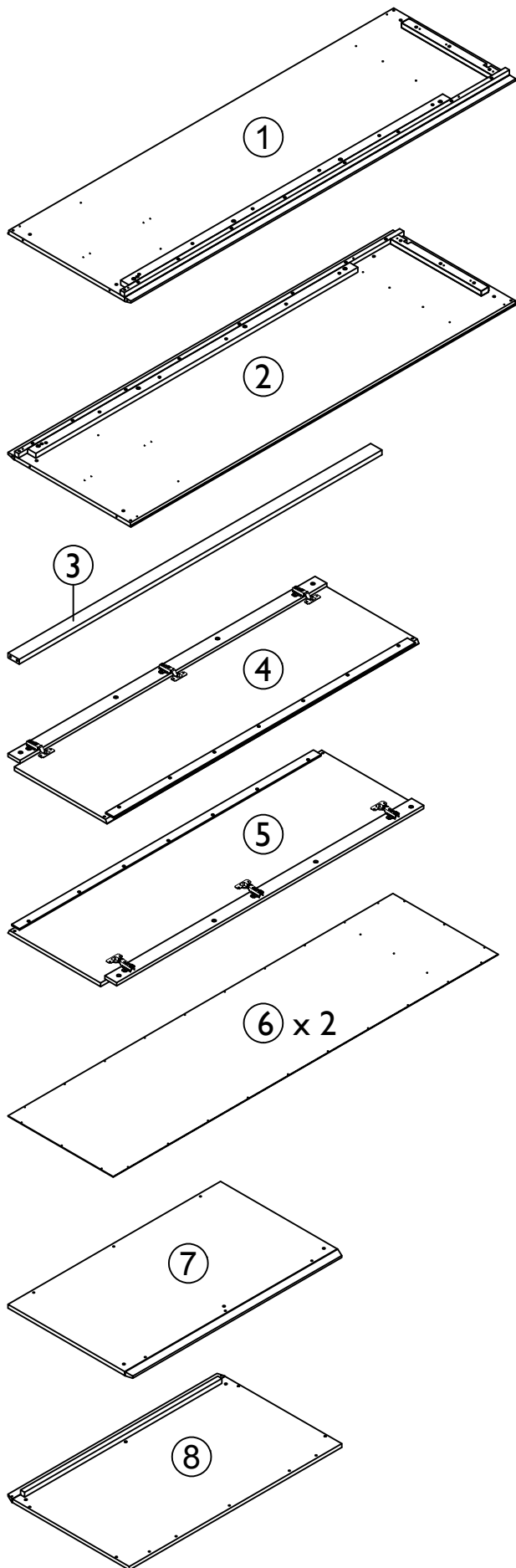
This product takes approximately **60 MINUTES** to assemble with **2 PEOPLE**.

All assembly should be performed on a flat, stable, clean and soft surface.

This product is **HEAVY**, it should be assembled as near as possible to the point of use. **TAKE CARE WHEN LIFTING** to avoid personal injury and (or) damage to the product

The fitting pack contains **SMALL ITEMS** which should be **KEPT AWAY FROM YOUNG CHILDREN**.

**IMPORTANT:** Retain these instructions for future reference.



## Parts checklist

Item	Description	Qty.	Item	Description	Qty.
1	Side frame left	x 1	12	Back rail	x 2
2	Side frame right	x 1	13	Wood stopper	x 1
3	Vertical back rail	x 1	14	Leg frame	x 2
4	Door frame left	x 1	15	Drawer front	x 1
5	Door frame right	x 1	16	Drawer side left	x 1
6	Back panel	x 2	17	Drawer side right	x 1
7	Top frame	x 1	18	Drawer back	x 1
8	Bottom frame	x 1	19	Drawer bottom	x 1
9	Removable shelf frame	x 1	20	Center support leg	x 2
10	Fixed shelf frame	x 1	21	Support drawer	x 1
11	Top front rail	x 1			

## Fittings checklist

Item	Description	Qty.	Item	Description	Qty.
A	Cam Lock 1 Ø15 x 13.5mm	x 7	T	Small grub screw Ø7 x 7.5mm	x 10
B	Cam screw Ø7 x 44.5mm	x 13	U	Round head screw Ø4 x 40mm	x 5
C	Wood Shelf Support	x 4	V	Wooden dowel Ø6 x 30mm	x 12
D	Cam Lock 2 Ø15 x 13.5mm	x 4	Y	Allen key M4 x 30 x 110mm	x 1
E	Hex head bolt M6 x 20mm	x 8	dd	Steel dowel "O" ring	x 8
F	Hex head bolt M6 x 30mm	x 8	ee	Grub screw	x 8
G	Wooden dowel Ø8 x 30mm	x 24	ff	Hex head bolt M6 x 25mm	x 4
H	Hanger rail support	x 4	gg	Round head screw Ø4 x 18mm	x 1
J	Varianta screw Ø4.2 x 10.5mm	x 8	hh	Left runner	x 1
M	Hex head bolt Ø7 x 38mm	x 9	jj	Right runner	x 1
N	Round head screw Ø3.5 x 15mm	x 58	mm	Varianta screw Ø6 x 10.5mm	x 6
P	Hanger rail	x 1	nn	Flat head screw Ø3x12mm	x 2
S	Small steel dowel Ø5.5 x 45mm	x 10			

# Step By Step Assembly Instructions

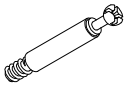
**Step 1** 1.1 : Lay all parts onto a flat, stable, clean and soft surface.

1.2 : Attach 12x cam screws (B) into the pre-drilled holes on side frames (1) & (2) as shown. Use a pozi screwdriver to turn fittings (B) clockwise to fix.

1.3 : Attach 4x hanger rails support (H) onto the pre-drilled holes on side frames (1) and (2) using 8x varianta screws (J) as shown. Use a screwdriver to turn fittings (J) clockwise to fix.

1.4 : Insert 4x wooden dowels (V) into the pre-drilled holes on Side frames (1) & (2) as shown.

Fitting



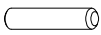
B x 12



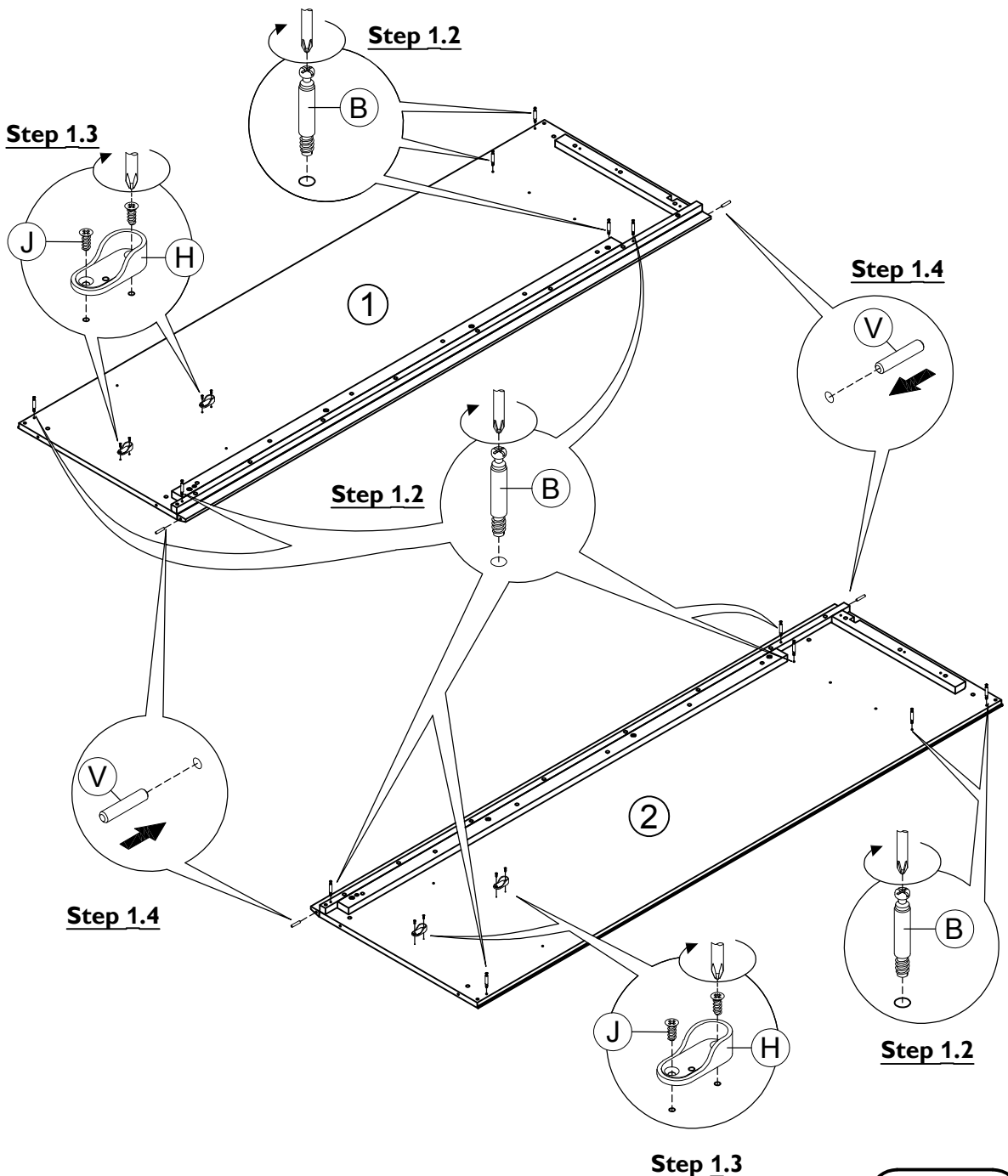
H x 4



J x 8

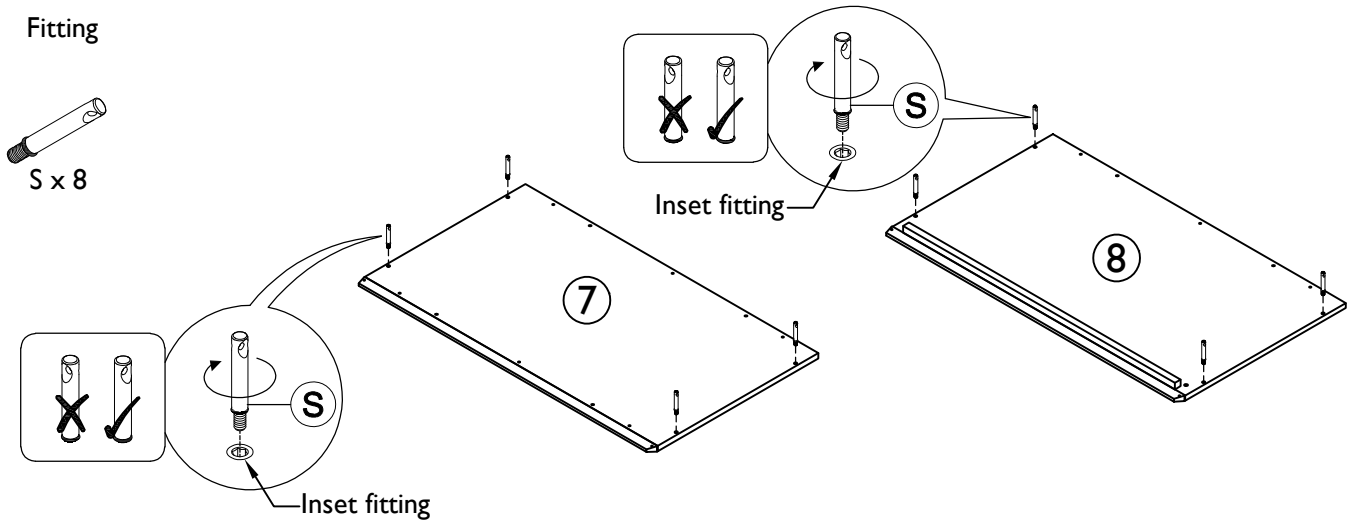


V x 4



# Step By Step Assembly Instructions

**Step 2** : Attach 8x small steel dowels (S) into top frame (7) & bottom frame (8) by screwing fittings (S) into the inset fittings that are located on part (7) & (8) as shown. Ensure the direction of the holes on fittings (S) are facing correctly as per diagram.

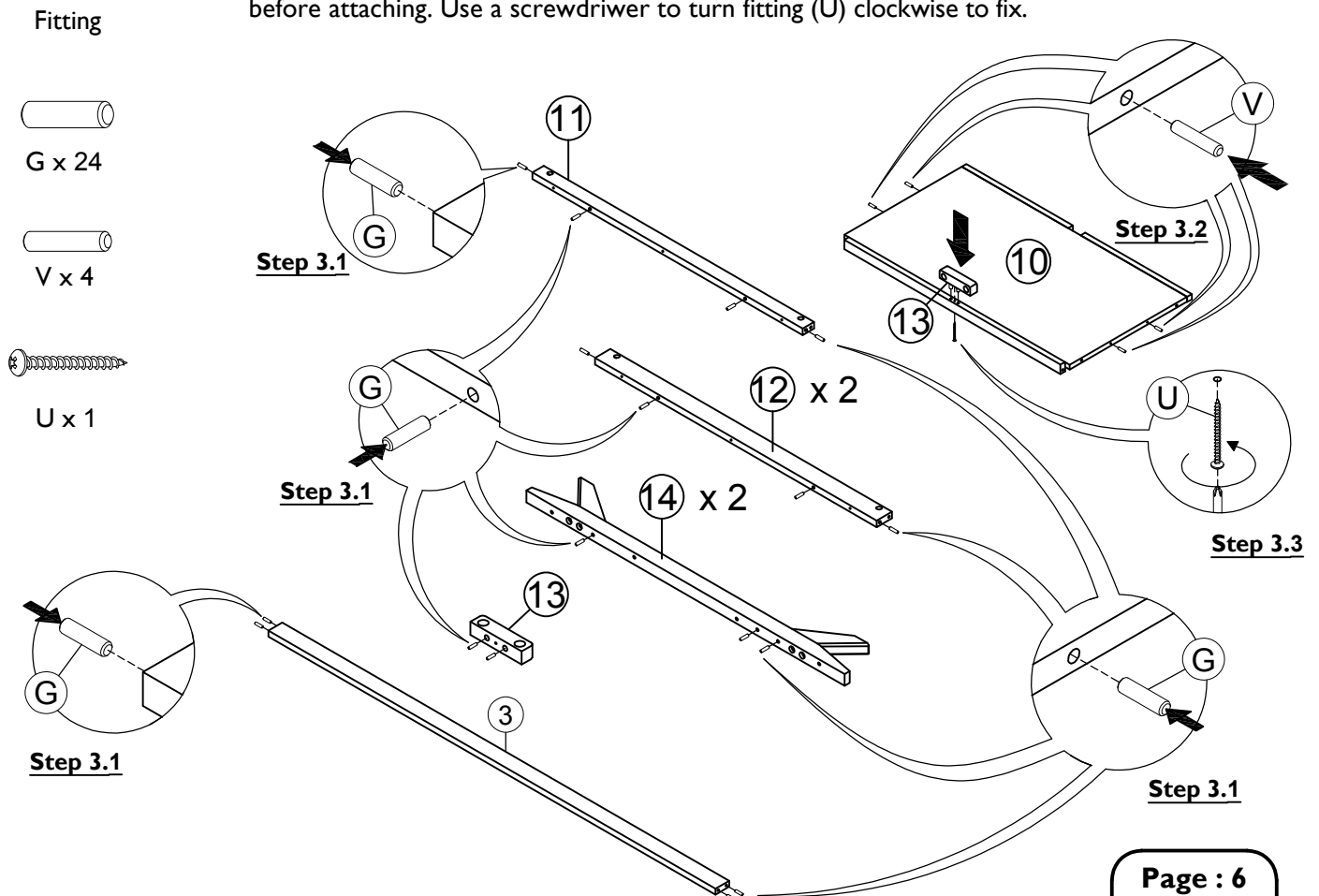


**Step 3**

3.1 : Insert 24x wooden dowels (G) into the pre-drilled holes on top front rail (11), back rails (12), wood stopper (13), leg frames (14) and vertical back rail (3) as shown.

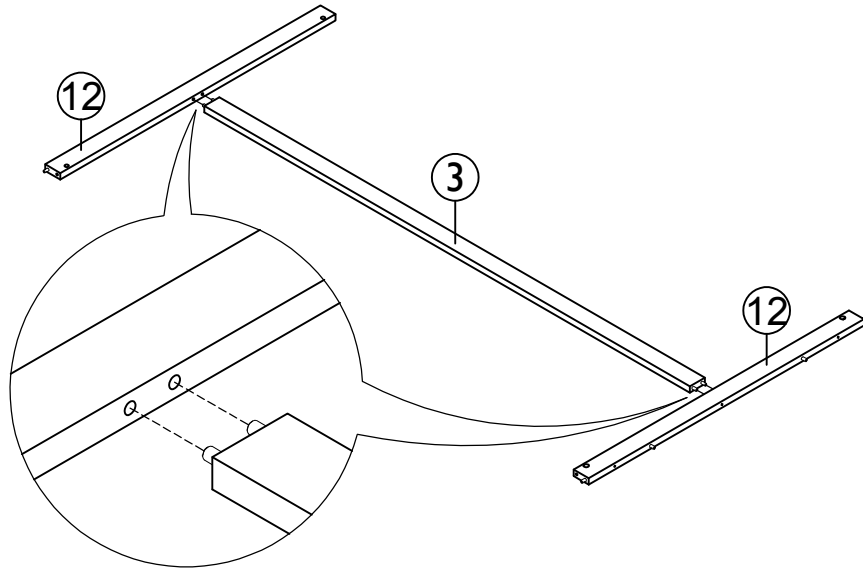
3.2 : Insert 4x wooden dowels (V) into the pre-drilled holes on fixed shelf frame (10) as shown.

3.3 : Attach the wood stopper (13) onto fixed shelf frame (10) using 1x round head screw (U) as shown. Ensure wooden dowels (G) are aligned correctly with the holes of mating parts before attaching. Use a screwdriver to turn fitting (U) clockwise to fix.



# Step By Step Assembly Instructions

**Step 4** : Attach both back rails (12) onto vertical back rail (3) as shown. Ensure wooden dowels are aligned correctly with the holes of mating parts before attaching.



**Step 5** 5.1 : Attach top front rail (11), fixed shelf frame (10) and the structure assembled in **step 4** onto side frame left (1) as shown. Ensure cam screws (B) and wooden dowels (G), (V) are aligned correctly with the holes of mating parts before attaching.

Fitting



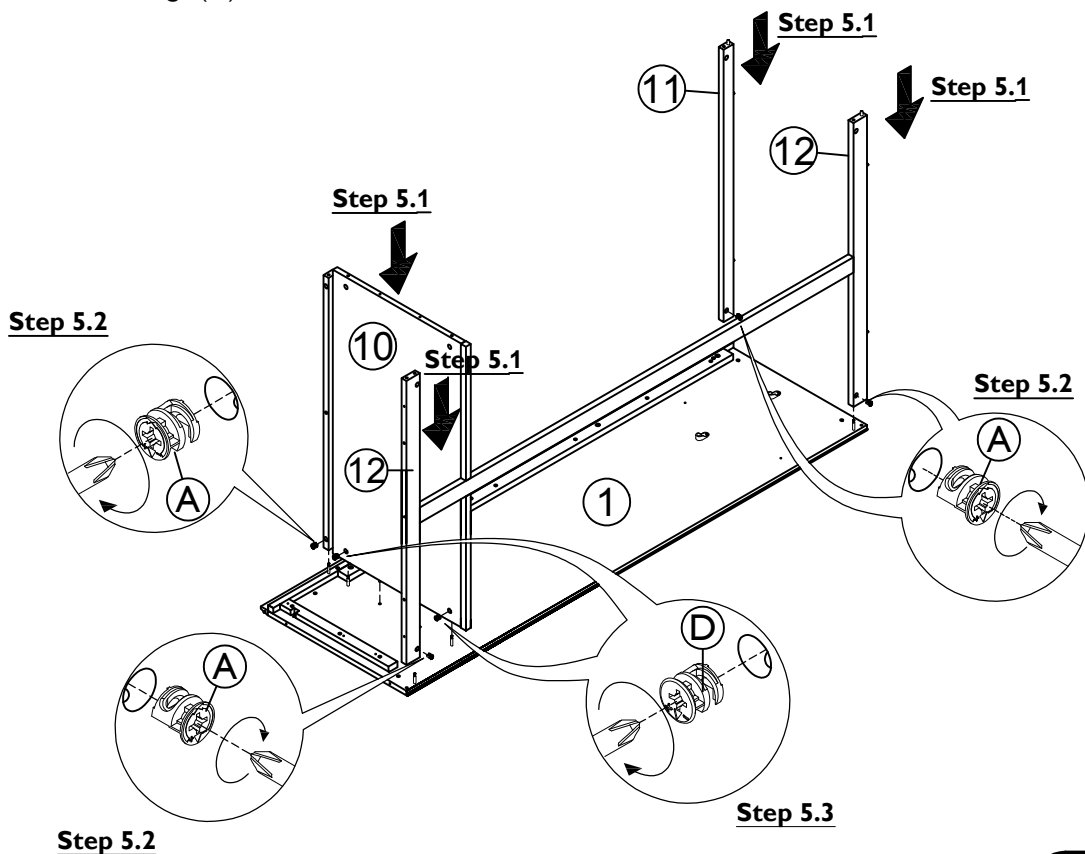
A x 4



D x 2

5.2 : Secure all parts (10),(11) & (12) to part (1) using 4x cam locks (A) as shown. Use a pozi screwdriver to turn fittings (A) clockwise to fix.

5.3 : Secure parts (10) to part (1) using 2x cam locks (D) as shown. Use a pozi screwdriver to turn fittings (D) clockwise to fix.



# Step By Step Assembly Instructions

**Step 6** 6.1 : Attach side frame right (2) onto parts (10),(11) and (12) as shown. Ensure cam screws (B) and wooden dowels (G), (V) are aligned correctly with the holes of mating parts before attaching.

Fitting

6.2 : Secure part (2) to all parts (10),(11) & (12) using 4x cam locks (A) as shown. Use a pozi screwdriver to turn fittings (A) clockwise to fix.

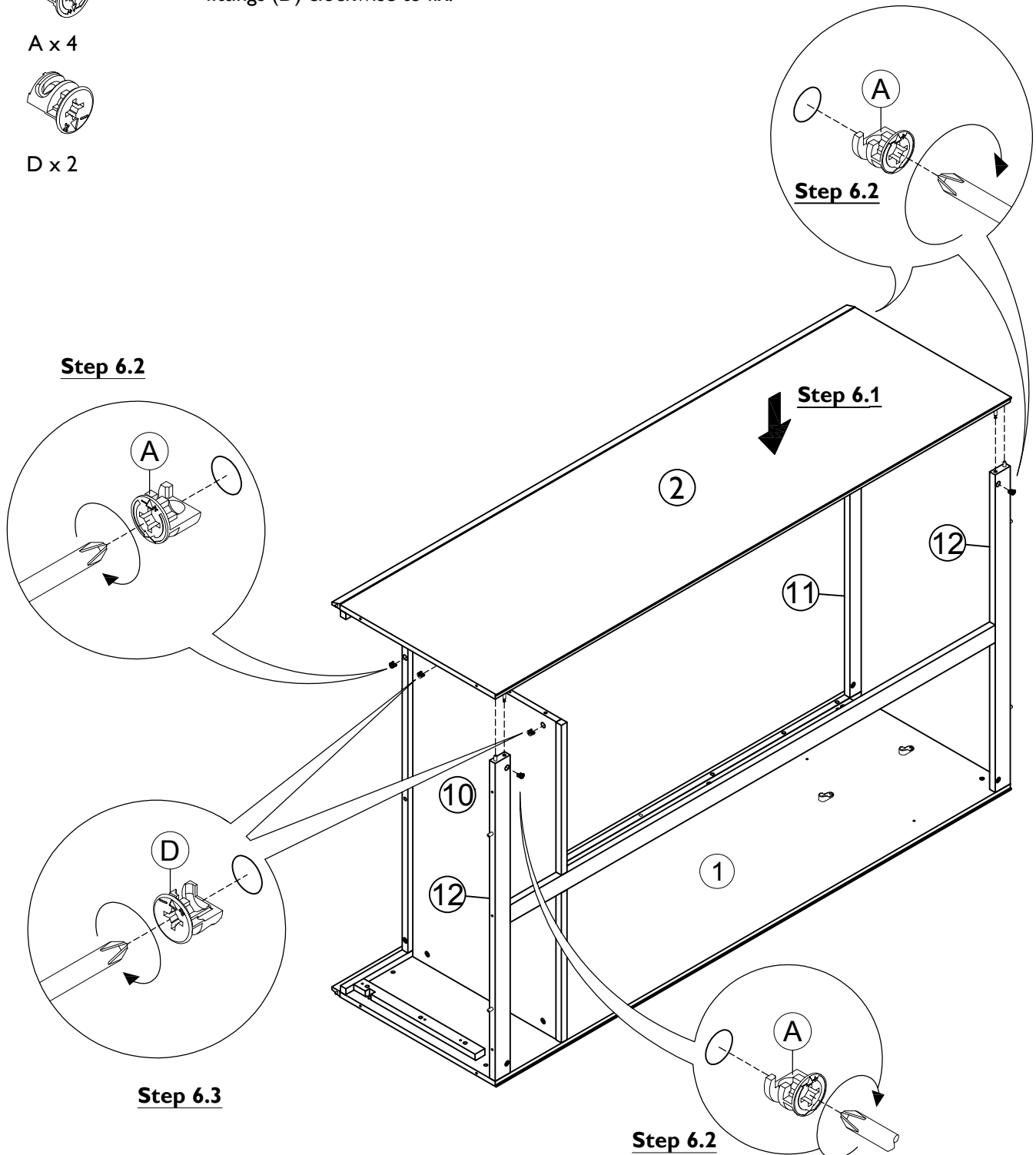


A x 4



D x 2

6.3 : Secure part (2) to parts (10) using 2x cam locks (D) as shown. Use a pozi screwdriver to turn fittings (D) clockwise to fix.





# Step By Step Assembly Instructions

**Step 7** 7.1 : Attach top frame (7) & bottom frame (8) onto side frames (1), (2) and top front rail (11), back rails (12) as shown. Ensure small steel dowels (S), wooden dowels (G) and wooden dowels (V) are aligned correctly with the holes of mating parts before attaching.

Fitting

7.2 : Secure part (7) & part (8) to parts (1) & (2) using 8x small grub screws (T) as shown. Use a pozi screwdriver to turn fittings (T) clockwise to fix.



7.3 : Secure part (7) ,(8) to parts (11), (12) using 9x hex head bolts (M) as shown. Use allen key (Y) to turn fittings (M) clockwise to fix.

T x 8

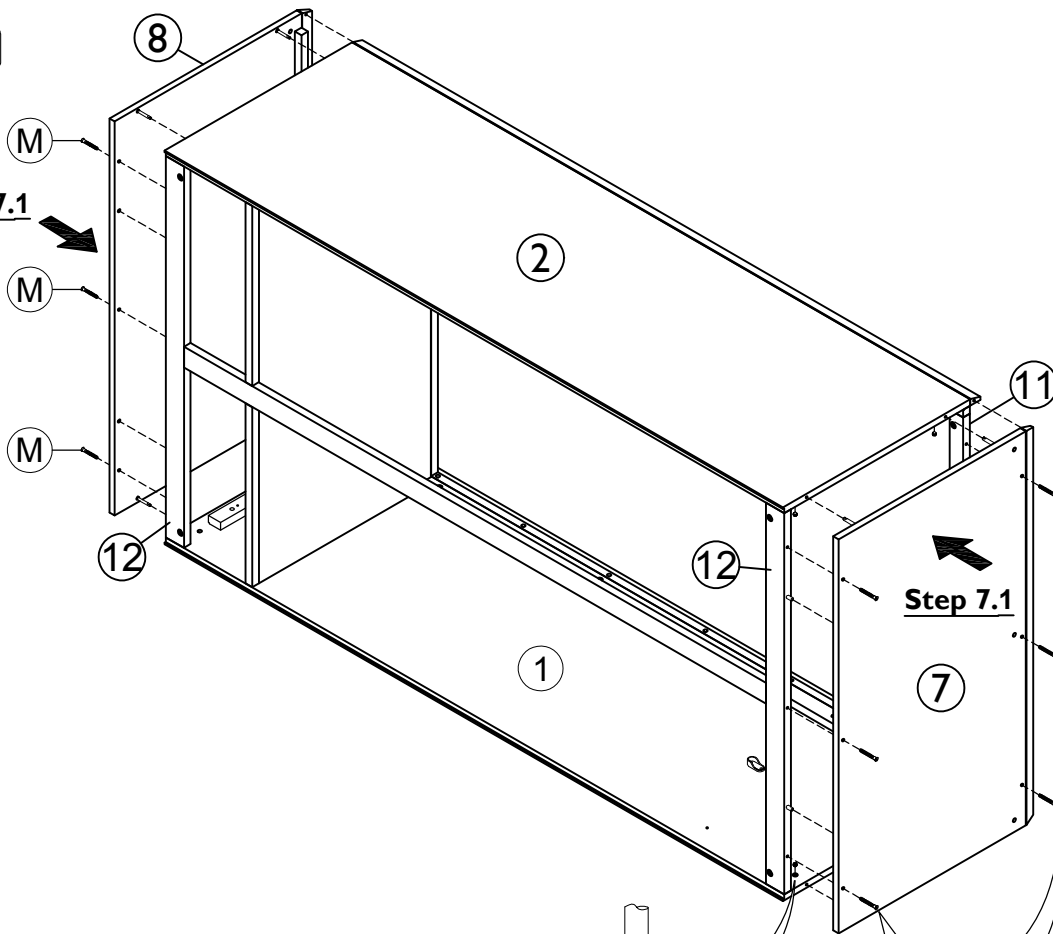


M x 9



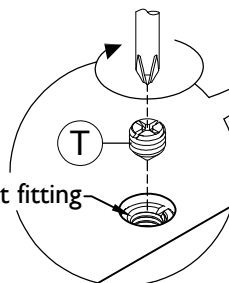
Y x 1

**Step 7.1**

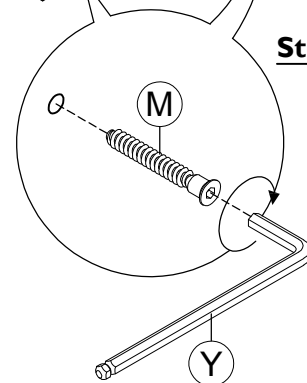


**Step 7.2**

Insert fitting



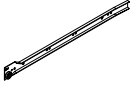
**Step 7.3**



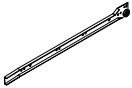
# Step By Step Assembly Instructions

**Step 8** : Attach left runner (hh) and right runner (jj) onto the pre-drilled holes on side frames (1) & (2) using 6x varianta screws (mm) and 2x flat head screws (nn) as shown. Use a screwdriver to turn fittings (mm) & (nn) clockwise to fix as shown.

Fitting



hh x 1



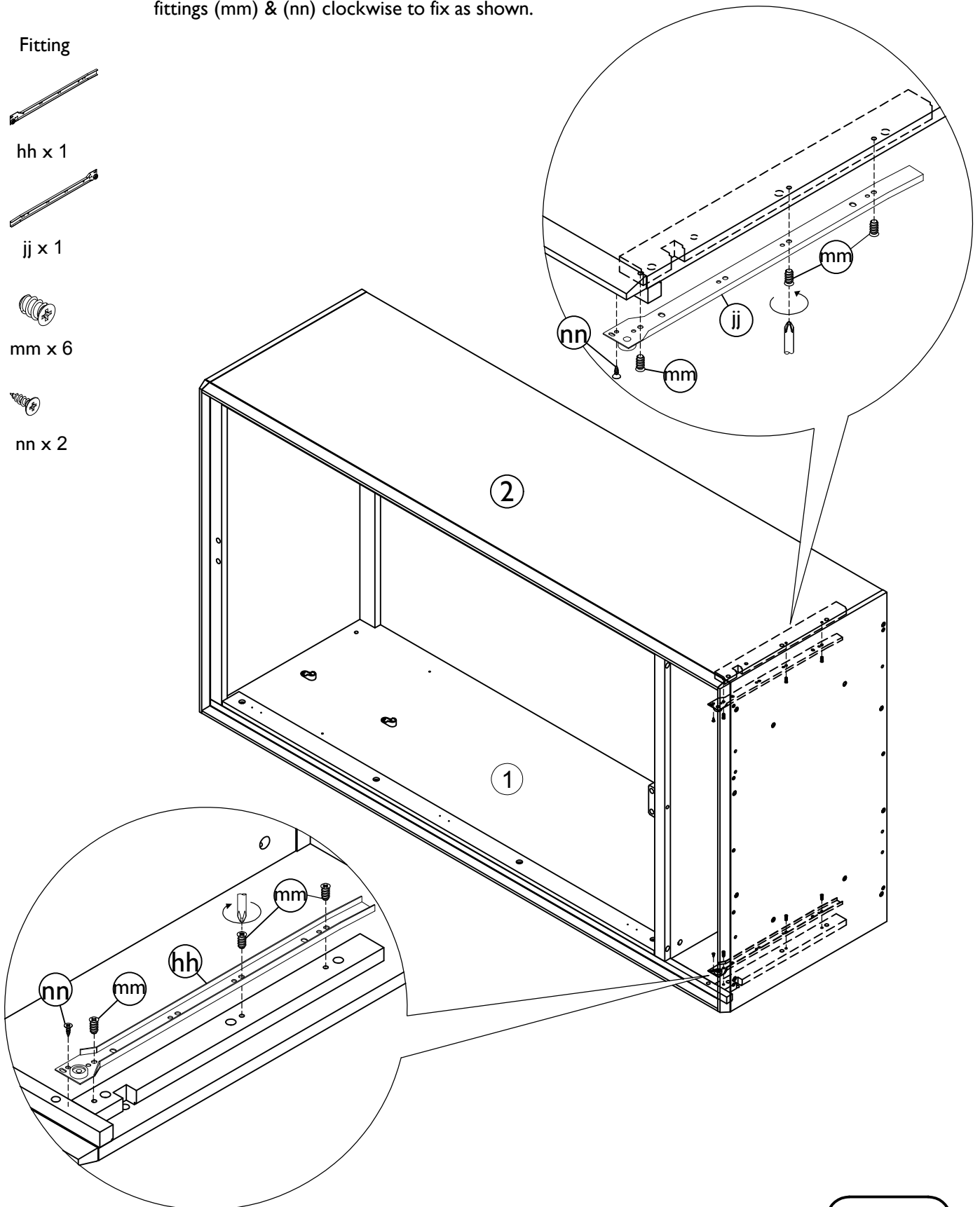
jj x 1



mm x 6



nn x 2



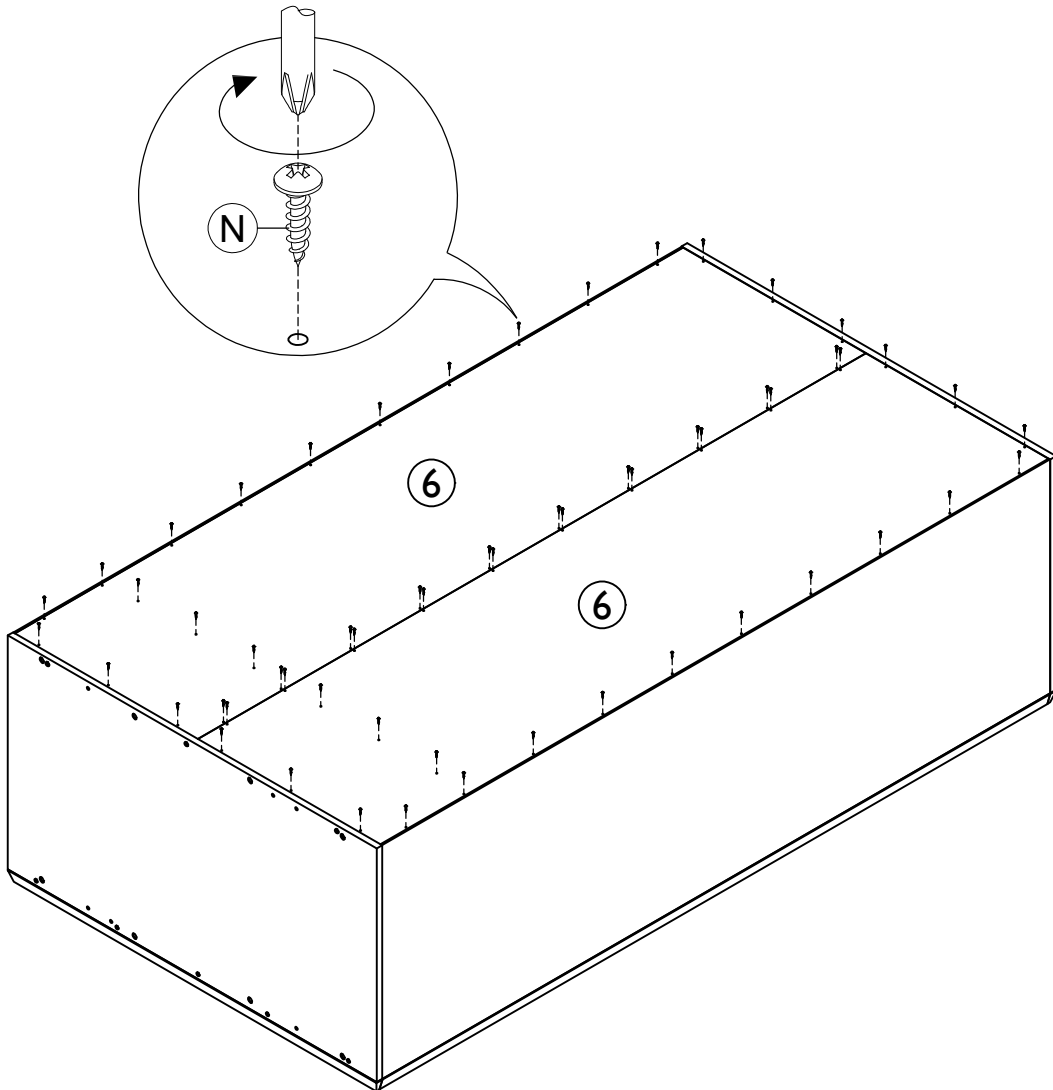
# Step By Step Assembly Instructions

**Step 9** Attach back panels (6) onto back side of the unit using 58x round head screws (N) as shown. Use a screwdriver to turn fittings (N) clockwise to fix.

Fitting



N x 58



# Step By Step Assembly Instructions

**Step 10** 10.1 : Attach 8x steel dowels (dd) into leg frames (14) by screwing fittings (dd) into the inset fitting that are located on parts (14) as shown. Use a pozi screwdriver to turn fittings (dd) clockwise to fix. Ensure the direction of the holes on fittings (dd) are facing correctly as per diagram.

Fitting



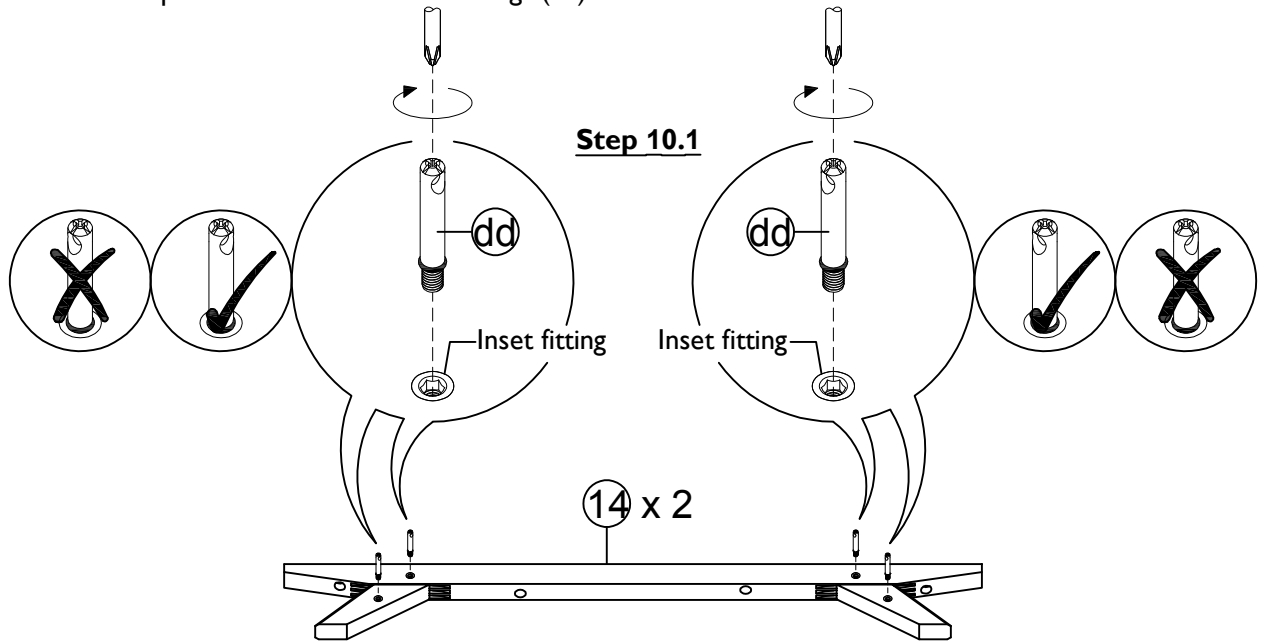
dd x 8



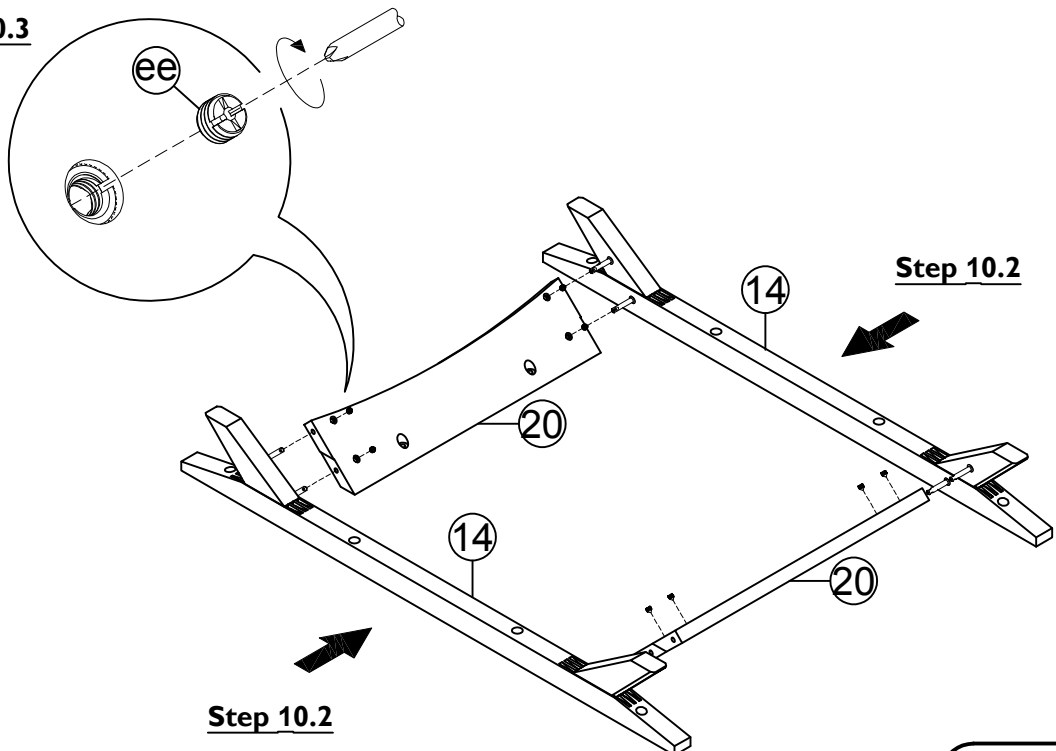
ee x 8

10.2 : Attach leg frames (14) to center support legs (20) as shown. Ensure steel dowels (dd) are aligned correctly with the holes of mating parts before attaching.

10.3 : Secure leg frames (14) to center support legs (20) using 8x grub screws (ee) as shown. Use a pozi screwdriver to turn fittings (ee) clockwise to fix.

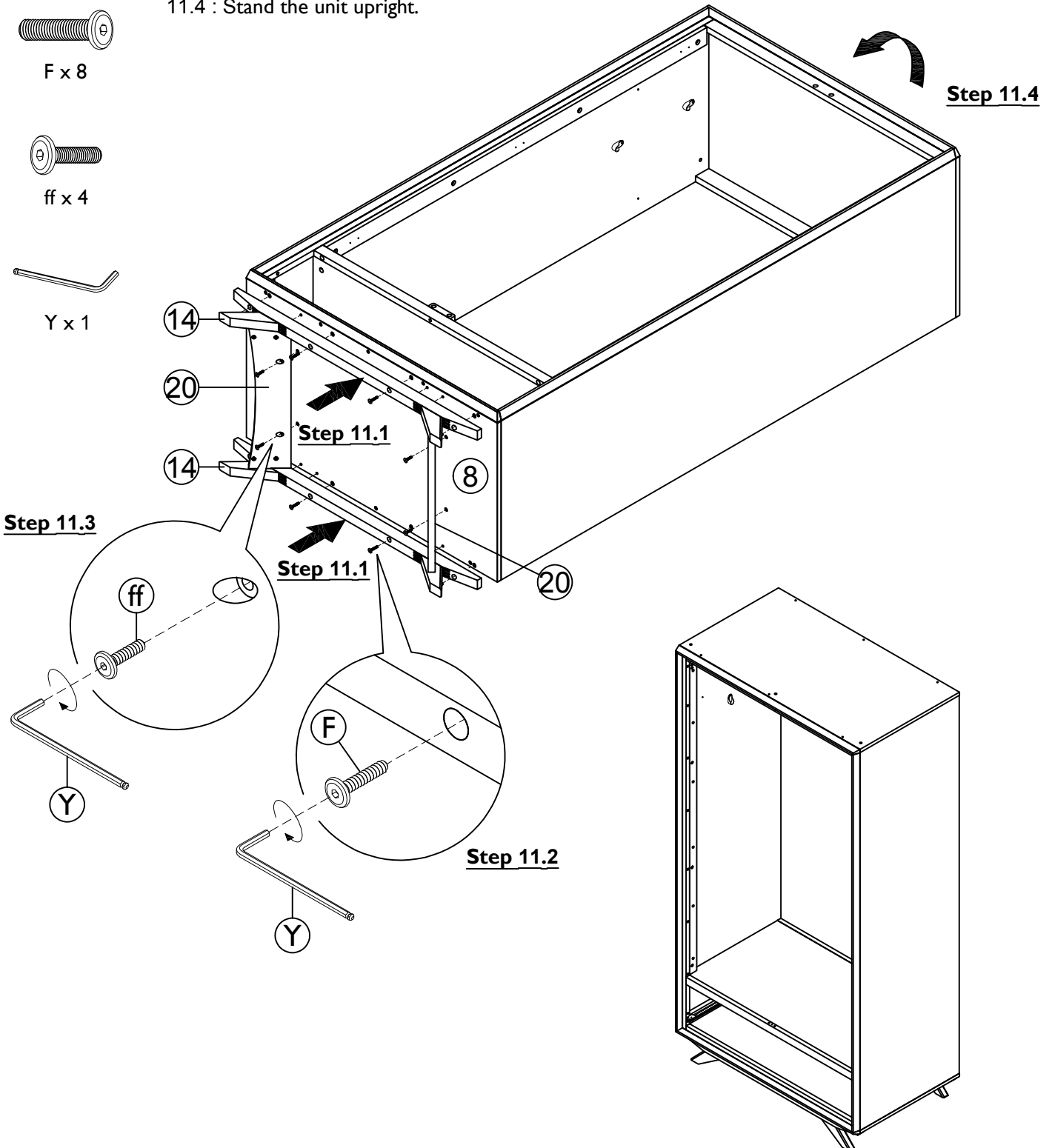


**Step 10.3**



# Step By Step Assembly Instructions

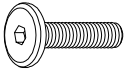
- Step 11** 11.1 : Attach the structure assembled in **Step 10** onto bottom frame (8) as shown. Ensure wooden dowels (G) are aligned correctly with the holes of mating parts before attaching
- 11.2 : Secure parts (14) to part (8) using 8x hex head bolts (F) as shown. Use allen key (Y) to turn fittings (F) clockwise to fix.
- 11.3 : Secure parts (20) to part (8) using 4x hex head bolts (ff) as shown. Use allen key (Y) to turn fittings (ff) clockwise to fix.
- 11.4 : Stand the unit upright.



# Step By Step Assembly Instructions

**Step 12** Attach doors (4) & (5) to side frames (1) & (2) by screwing 8x hex head bolts (E) into inset fittings that are located on parts (1) & (2) as shown. Ensure the holes on doors (4) & (5) are aligned correctly with the mating spring pins on side panels (1) & (2) before attaching. Use allen key (Y) to turn fittings (E) clockwise to fix.

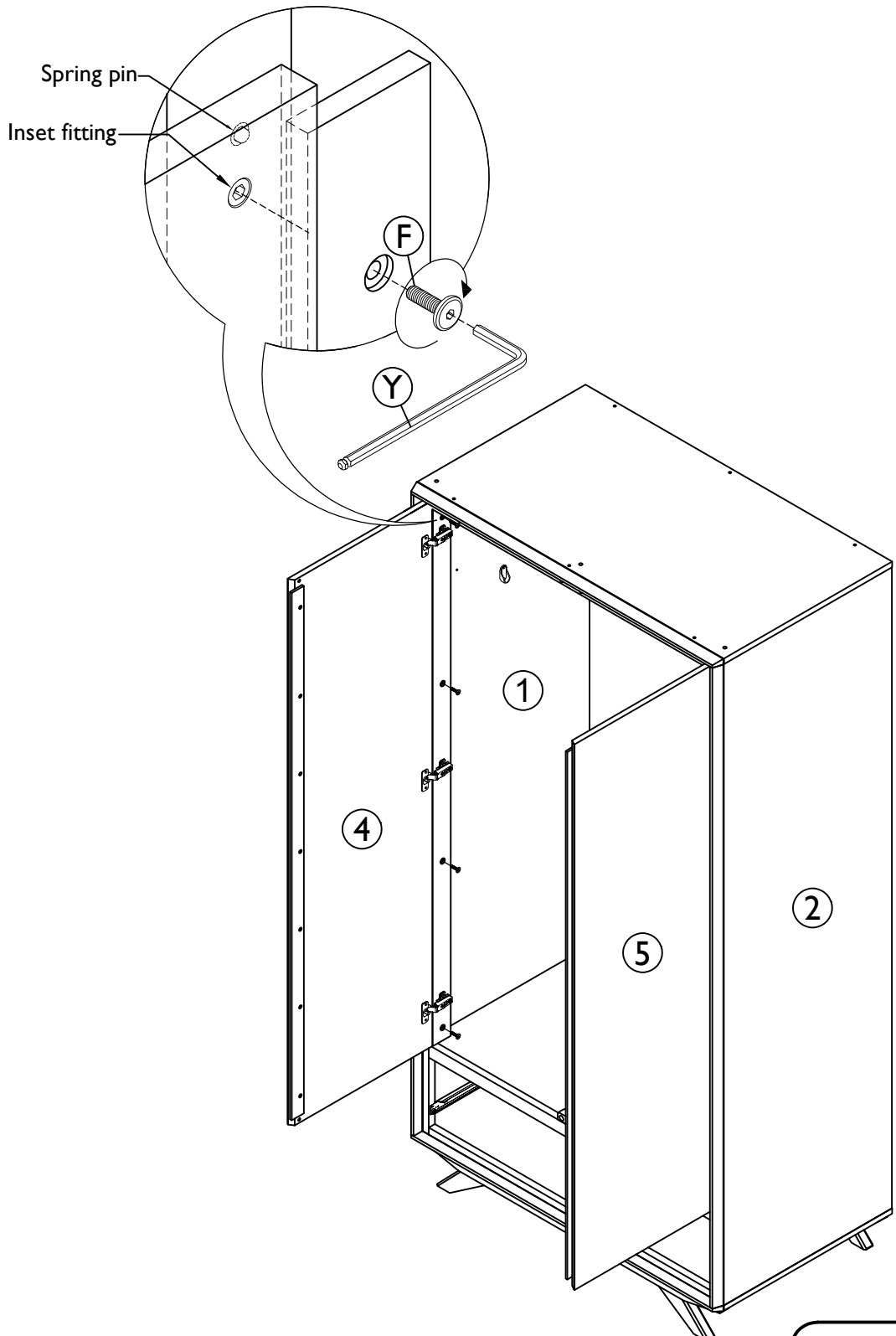
Fitting



E x 8



Y x 1



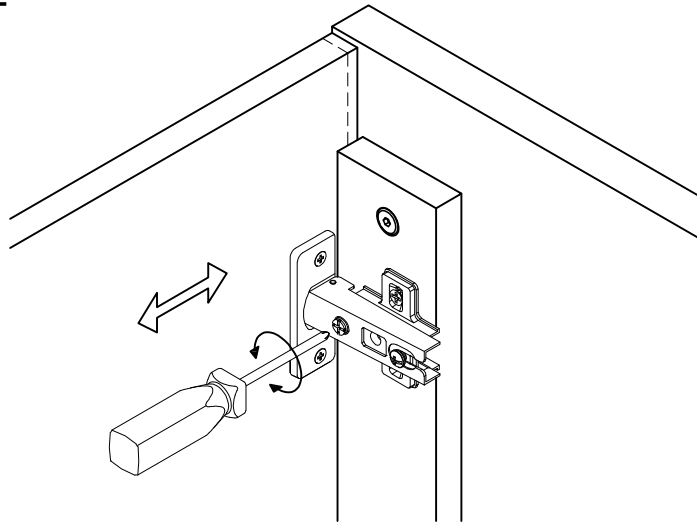
---

# Hinge adjustment instructions

---

## LATERAL ADJUSTMENT

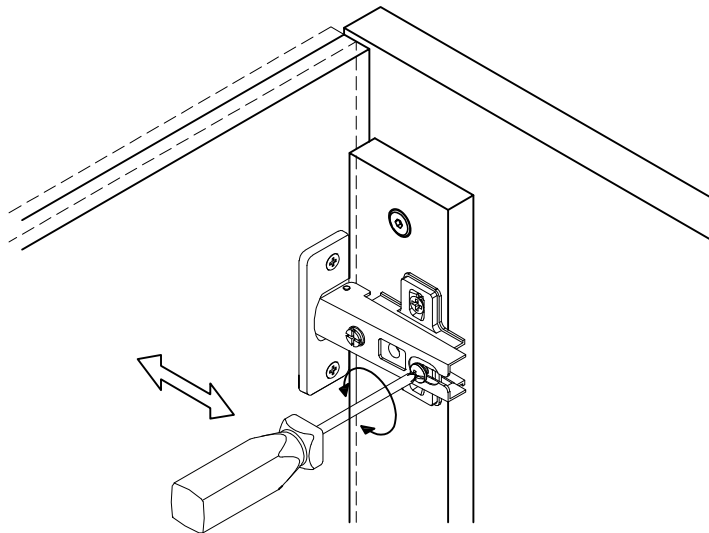
by screw adjustment.



---

## FRONT-TO-BACK

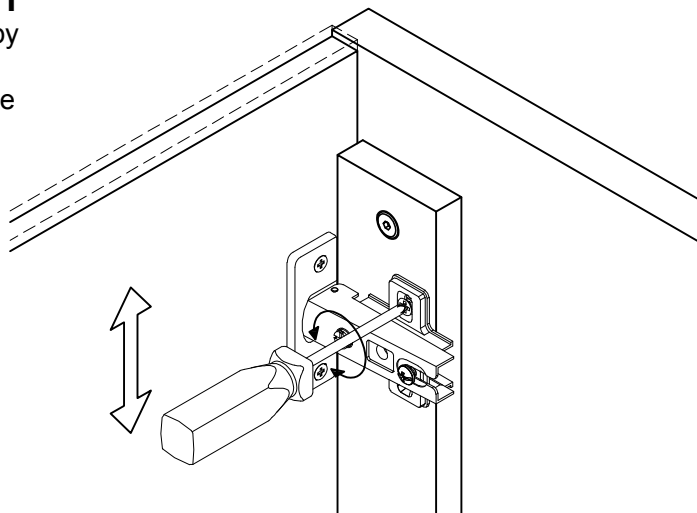
by slackening and retightening the hinge-arm mounting screw.



---

## VERTICAL ADJUSTMENT

via slots on mounting plate by slackening and retightening the screws on mounting plate



# Step By Step Assembly Instructions

## Step 13

- 13.1: Place hanger rail (P) onto hanger rail supports (H) on left & right sides of unit as shown.  
13.2: Insert 4x wood shelf supports (C) into the pre-drilled holes on left and right side panels (1) & (2) as shown.  
13.3: Tilt removable shelf frame (9) to a suitable angle as shown in the picture so as to slide it in.  
13.4: Slide removable shelf frame (9) into the unit. Ensure the holes on shelf are facing down, then place it onto the pins of wood shelf support (C) as shown.

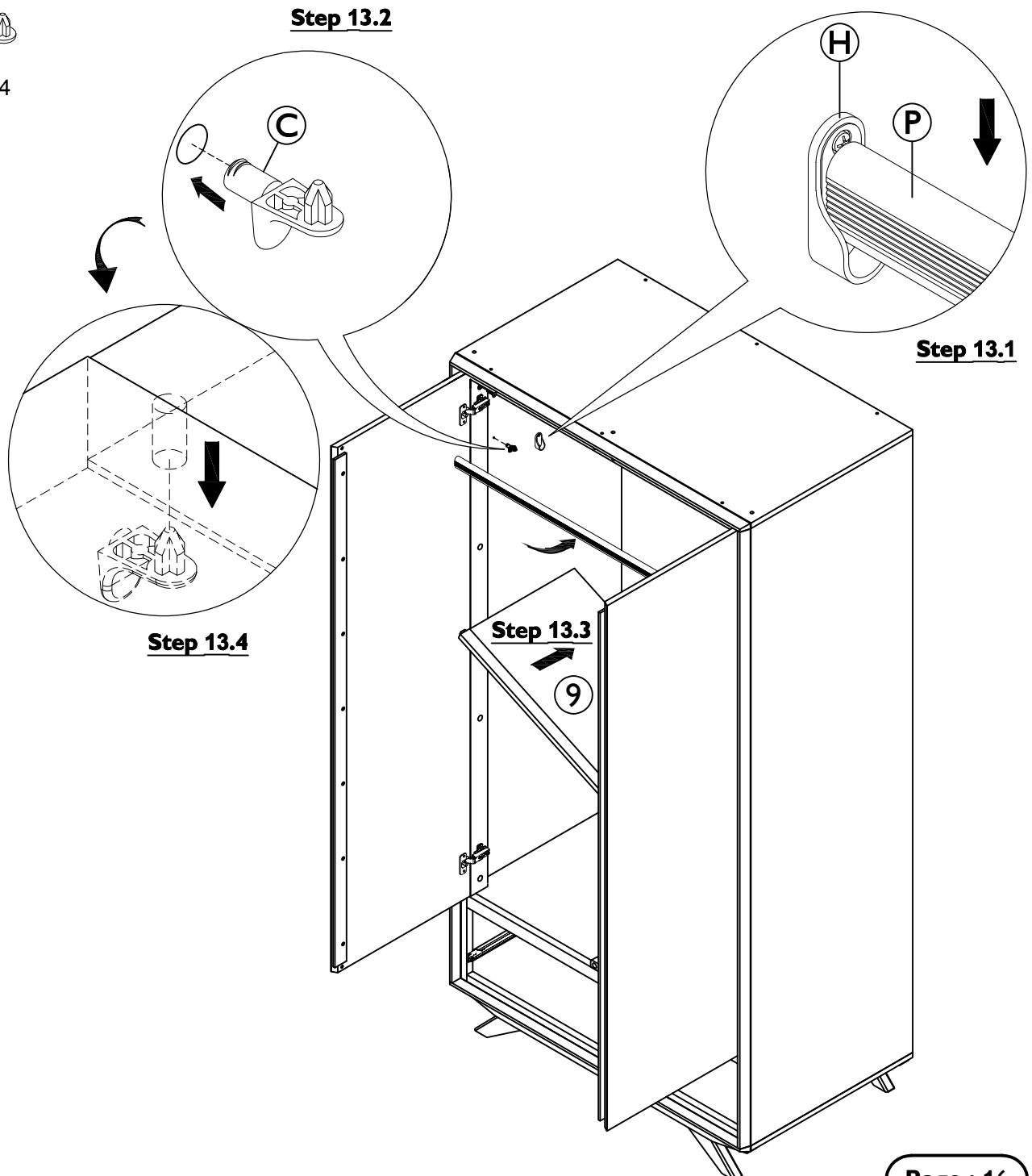
Fitting



P x 1



C x 4

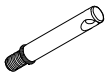




# Step by step assembly instructions

**Step 14** 14.1 : Attach 2x small steel dowels (S) into drawer front (15) by screwing fittings (S) into the inset fittings that are located on part (15) as shown. Ensure the direction of the holes on fittings (S) are facing correctly as per diagram.

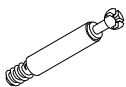
Fitting



S x 2



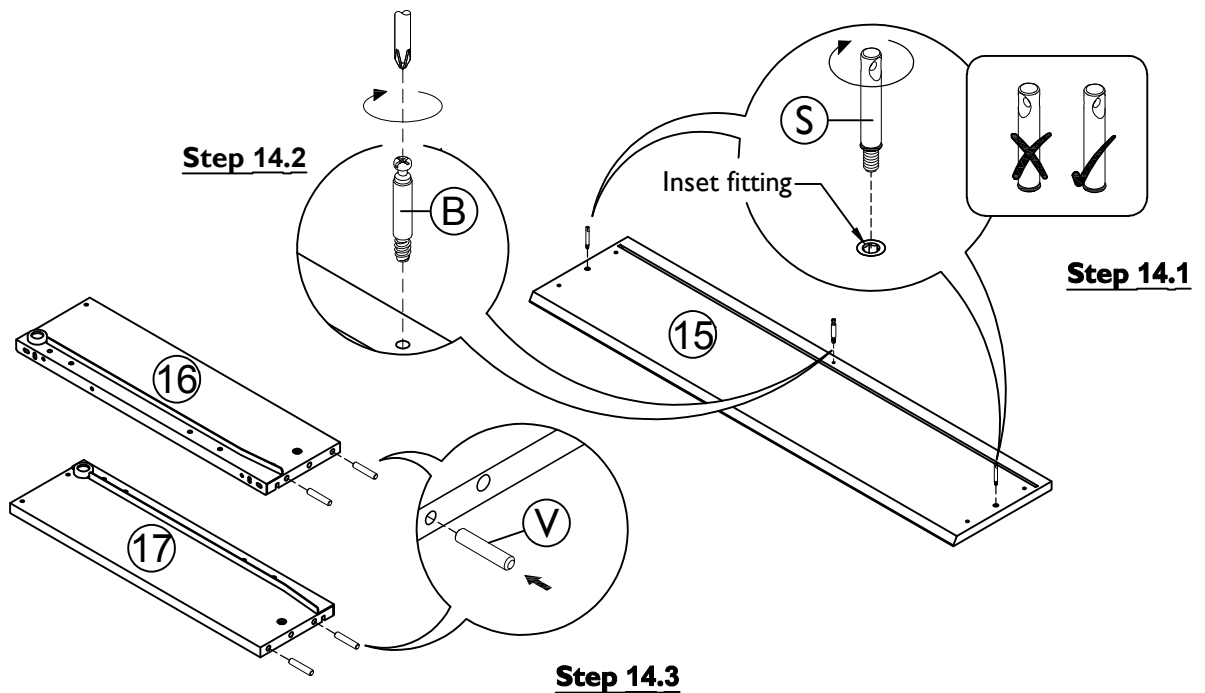
V x 4



B x 1

14.2 : Attach 1x cam screw (B) into the pre-drilled holes on part (15) as shown. Use a pozi screwdriver to turn fitting (B) clockwise to fix.

14.3 : Insert 4x wooden dowels (V) into the pre-drilled holes on drawer sides (16), (17) as shown.

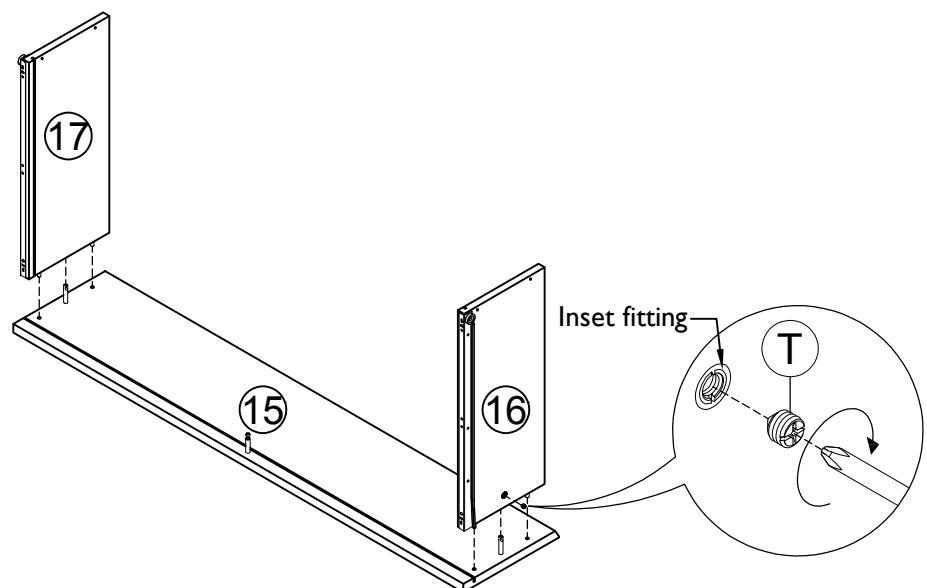


**Step 15** Attach drawer sides (16) & (17) onto drawer front (15) using 2x small grub screws (T) as shown. Ensure small steel dowels (S) and wooden dowels (V) are aligned correctly with the holes of mating parts before attaching. Use a pozi screwdriver to turn fittings (T) clockwise to fix.

Fitting



T x 2



# Step by step assembly instructions

## Step 16

16.1: Slide drawer bottom (19) into the slots inside drawer sides (16) & (17) as shown. Ensure the drawer bottom (19) are placed completely in the slot of drawer front (15).

16.2: Attach support drawer (21) onto drawer front (15). Ensure 1x cam screw (B) is aligned correctly with the holes of mating parts before attaching.

16.3: Place drawer back (18) onto the top of constructed drawer box. Ensure the slot under drawer back (18) are aligned correctly with drawer bottom (19) before attaching.

16.4: Secure drawer back (18) to the drawer box using 4x round head screws (U) as shown. Use a screwdriver to turn fittings (U) clockwise to fix

16.5: Secure support drawer (21) to part (18) using 1x round head screw (gg) as shown. Use a screwdriver to turn fittings (gg) clockwise to fix.

16.6: Secure support drawer (21) to part (15) using 1x cam lock (A) as shown. Use a pozi screwdriver to turn fittings (A) clockwise to fix.

Fitting



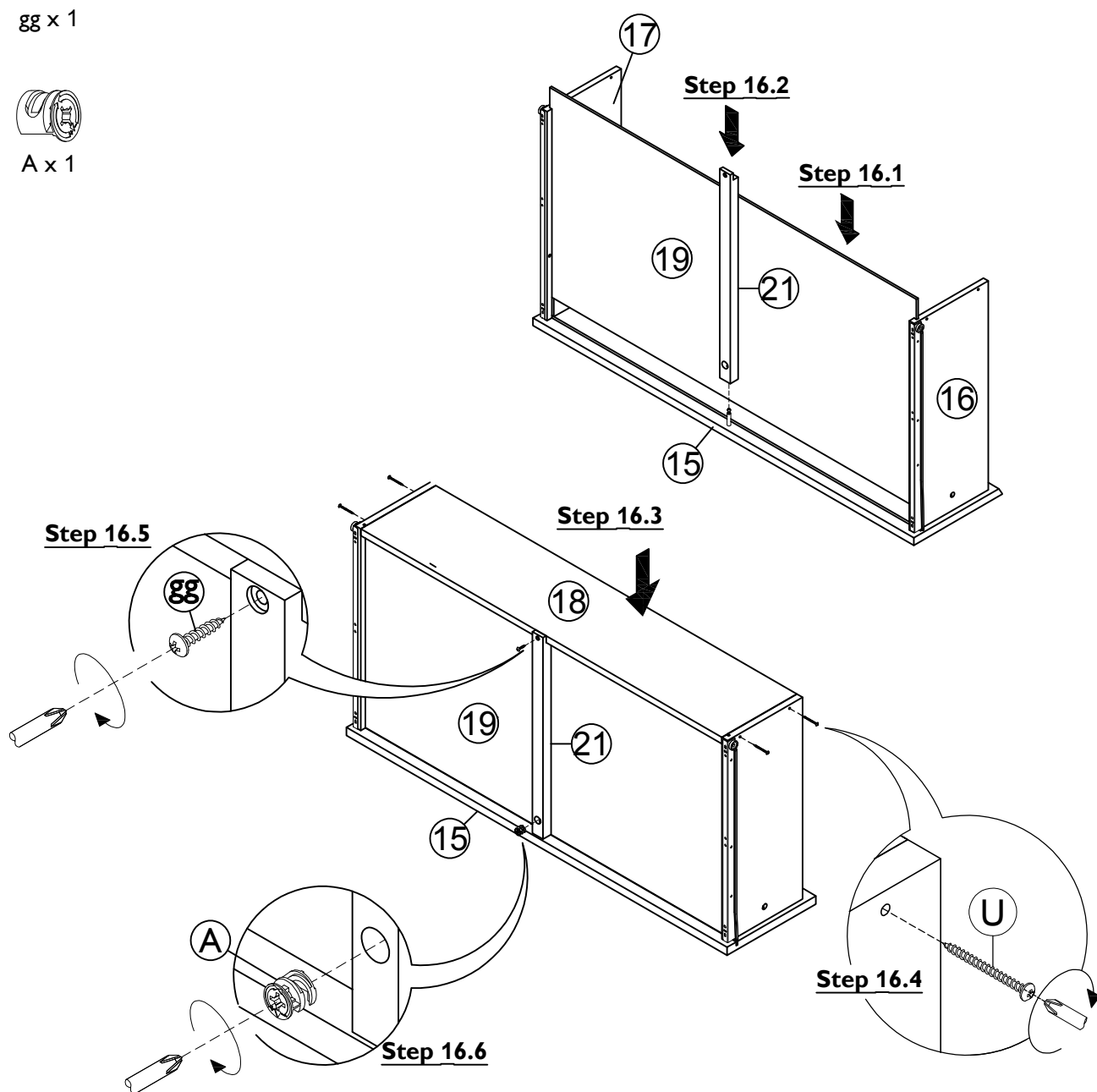
U x 4



gg x 1



A x 1

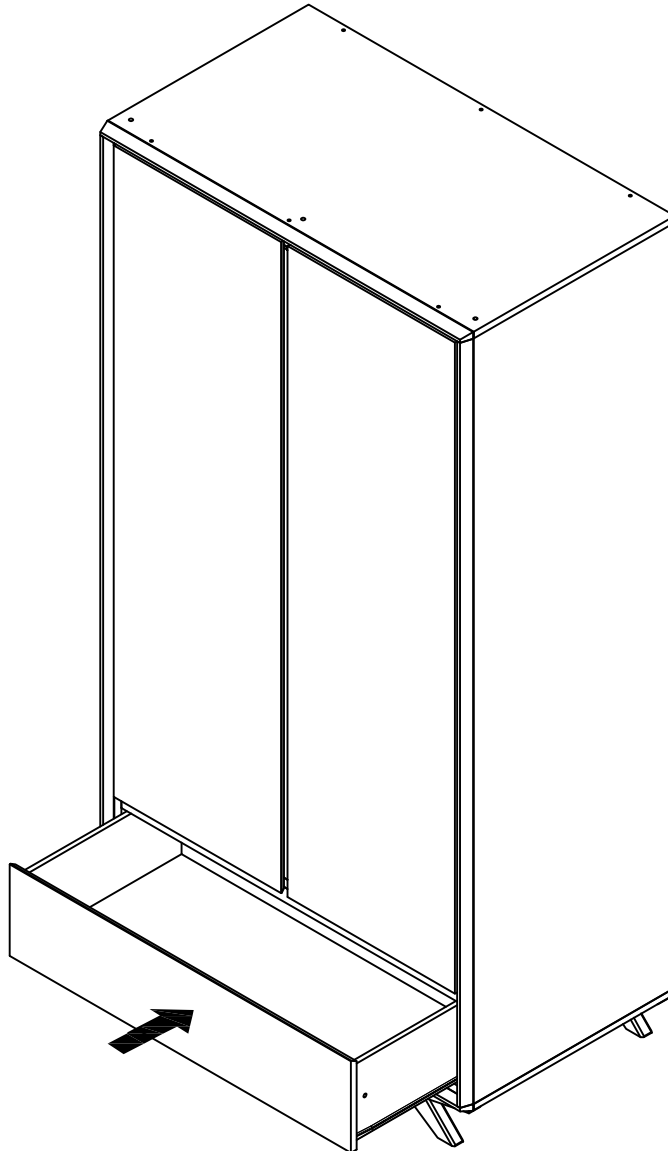


---

## Step By Step Assembly Instructions

---

**Step 17** : Insert the assembled drawer into the unit as shown.



**Assembly is complete.**

---

# Care and Maintenance

## Wood Furniture

Wood displays different grain patterns depending on which way they are cut - for example, the 'medullary ray' which can appear on oak furniture is a mark of good quality timber - these are just characteristics of the natural beauty of the wood.

Some furniture is also deliberately aged and rustic.

Wood veneers also allow distinctive patterns to be created on some surfaces, such as table tops and drawer fronts by the way slivers are arranged.

All timber and veneer surfaces will change colour and mellow over time. New furniture will initially vary in shade from items that have been previously purchased.

## How to care for your wood furniture

Dust with a clean, damp, lint free cloth. Frequent dusting will remove abrasive build up, which can damage the finish over time.

Do not use a very wet cloth or allow any liquid to contact with the veneers for a long period of time as this can permanently damage the surface. Wipe up spills immediately.

Do not use any abrasive cleaner or harsh detergent as this can damage the surface of the furniture.

Spray polishes are best avoided as they contain silicones which may spoil the furniture's surface when building up over time.

Make sure all surfaces are protected from heat and liquids by mats and coasters.

Ensure that a mat or pad is placed under paper when you are writing on the furniture surface.

Do not place rubber, cork, vinyl or plastic materials on the wood finish as chemicals within may react with the finish if left in contact for an extended period of time.

Our furniture will endure most temperatures in the home but it is best to avoid placing furniture next to heat sources such as radiators or fires. Be particularly careful with solid wood as the lack of humidity caused by home heating can cause damage such as warping, cracking or splitting.

Excessive exposure to sunlight can cause fading of your furniture.

Avoid exposing your furniture to any liquids. All liquids should be wiped up immediately with a soft, slightly damp cloth in the direction of the wood grain. If sticky liquid residues do occur, they may be removed with a dilute solution of warm soapy water followed by a clean, damp sponge. The area should then be wiped immediately in the direction of the wood grain with a clean, soft white cloth until completely dry.

Nail polish remover, hairspray, perfume, potpourri & any other products that contains solvents can damage wood upholstery finishes.

## Safety Instructions:

Never drag furniture when moving it. Always lift it.

Periodically check all fixings to ensure none have come loose. Re-tighten when necessary.

Please take care when handling or moving the furniture as careless handling may cause damage or injury.

Furniture can be dangerous if incorrectly assembled. Assembly should be carried out by a competent person.

No liability will be accepted for damage or injury caused by incorrectly installed or assembled furniture.

## Heavy item warning:

It is recommended to seek assistance when moving a heavy object. Take care when lifting to avoid personal injury and (or) damage to the product.

It is recommended that before moving a heavy object to a new location it is completely dis-assembled to avoid personal injury or damage to the furniture. Please be careful to retain all fitting when doing this.