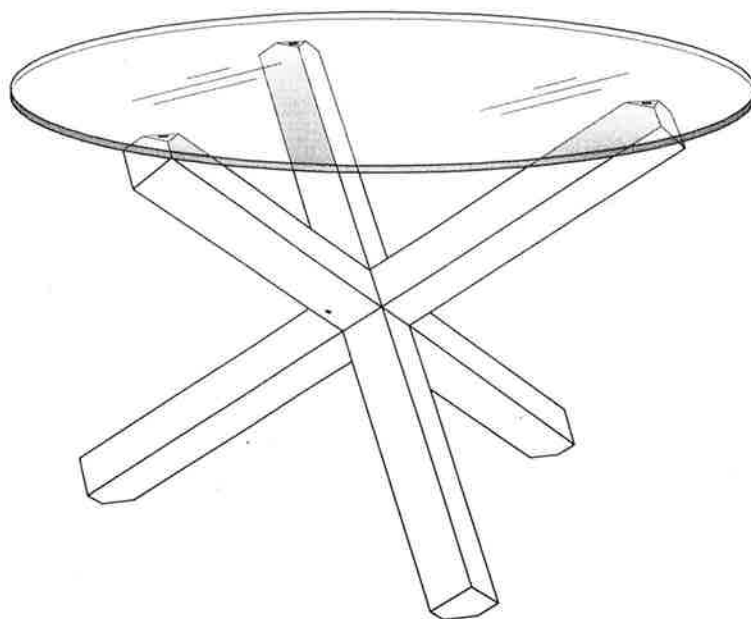


# CIRCULAR GLASS DINING TABLE

Stock number: 26X3-9

Thank you for purchasing this product. Please read the instructions carefully before use to ensure safe and satisfactory operation of this product.



## Pre-assembly preparation

Please ensure instructions are read in full before attempting to assemble this product.

**Necessary Tools :** Phillips screwdriver



(Included)



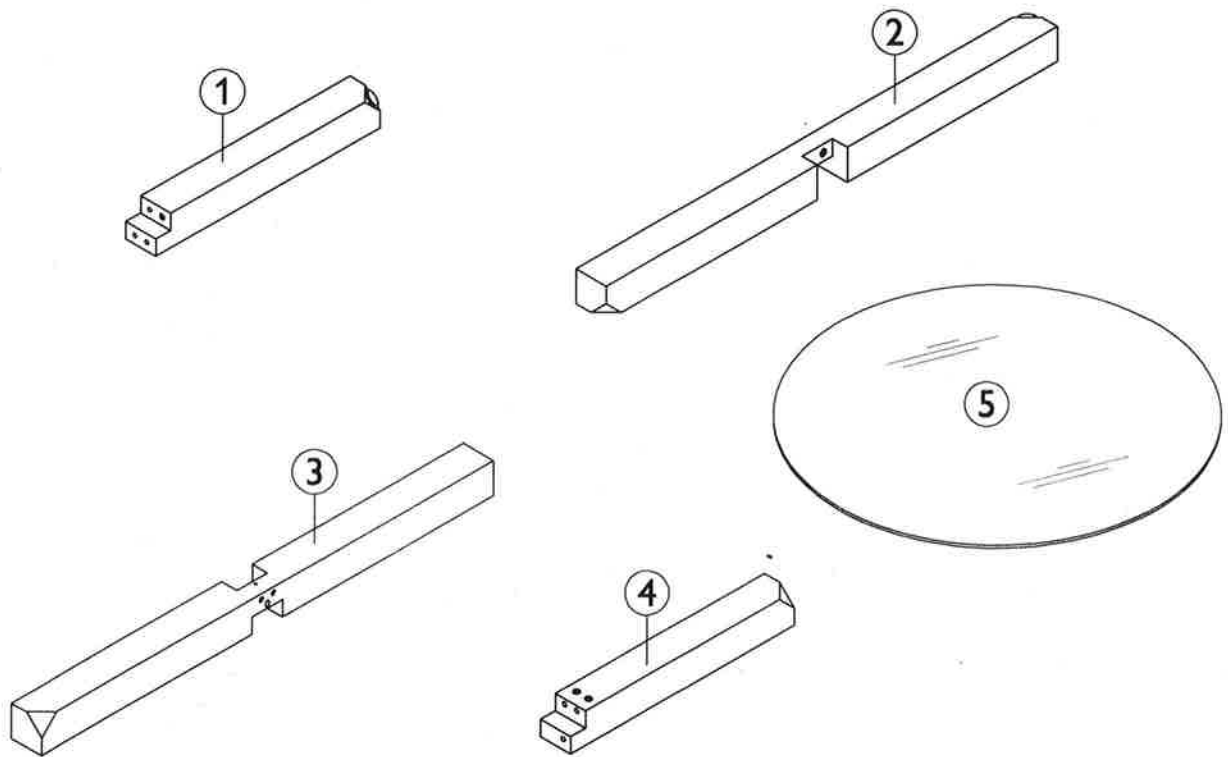
Please check the pack contents before attempting to assemble this product. A full checklist of components is given in this leaflet. If any components are missing, please contact the retailer from whom you bought this product.

This product takes approximately **30 MINUTES** to assemble with **2 PERSON**.


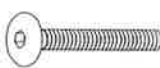
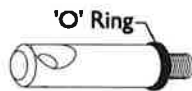

All assembly should be performed on a flat, stable, clean and soft surface.

The fitting pack contains **SMALL ITEMS** which should be **KEPT AWAY FROM YOUNG CHILDREN**.

**IMPORTANT:** Retain these instructions for future reference.



## Fittings and parts checklist

Item	Description	Qty.		Item	Description	Qty.
1	Leg <u>Type-1</u>	x 1		4	Leg <u>Type-4</u>	x 1
2	Leg <u>Type-2</u>	x 1		5	Glass top	x 1
3	Leg <u>Type-3</u>	x 1				
A	Wooden dowel Ø10x40mm	x 3		E	Allen key M4x30x107mm	x 1
B	Hex head bolt M6x55mm	x 1		F	Allen key M5x30x107mm	x 1
C	Steel dowel Ø10x48.5mm	x 2		G	Round head screw Ø4x45mm	x 1
D	Grub screw	x 2				

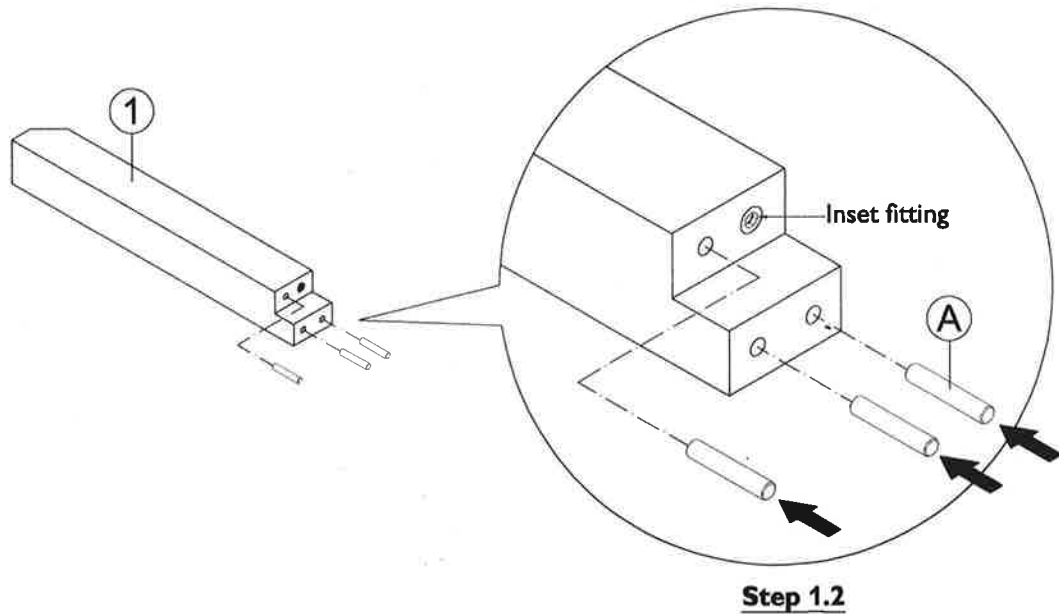
## Step By Step Assembly Instructions

- Step 1**
- 1.1 : Lay all parts on a flat, stable, clean and soft surface.
  - 1.2 : Insert 3x wooden dowels (A) into the pre-drilled holes on leg (1) **Type-1** as shown.

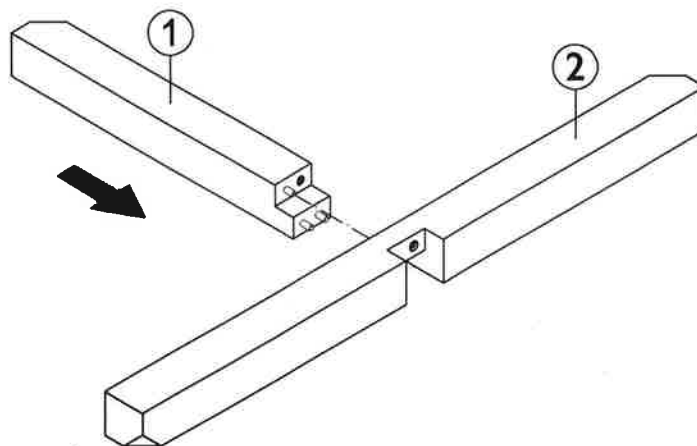
Fitting



A x 3



- Step 2** : Attach leg (1) **Type-1** onto leg (2) **Type-2** as shown. Ensure wooden dowel (A) is aligned correctly with the hole on leg (2) before attaching.



## Step By Step Assembly Instructions

**Step 3** : Secure leg (1) **Type-1** to leg (2) **Type-2** using 1x hex head bolt (B) as shown. Use small allen key (E) to turn fitting (B) clockwise to fix.

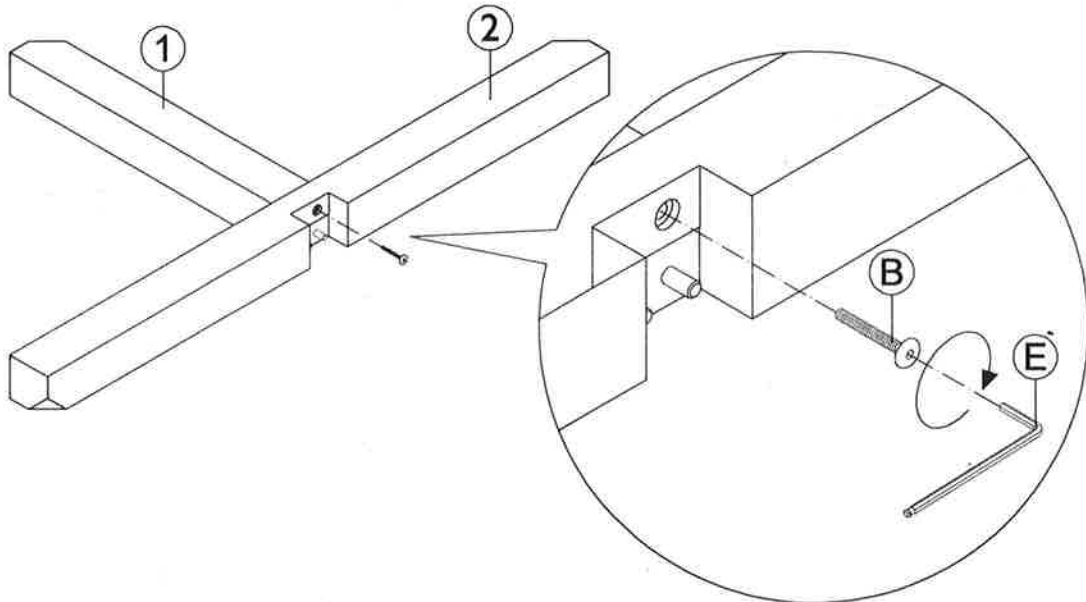
Fitting



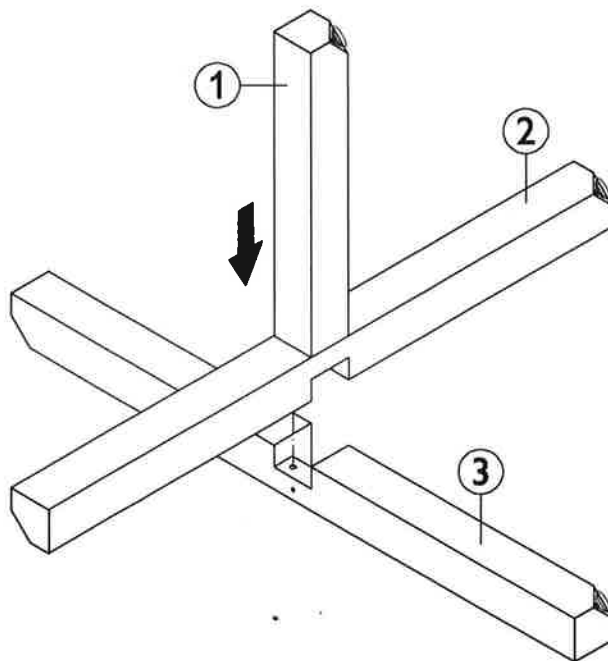
B x 1



E x 1



**Step 4** : Attach the structure assembled in **Step 3** onto leg (3) **Type-3** as shown. Ensure wooden dowel (A) is aligned correctly with the hole on leg (3) before attaching.



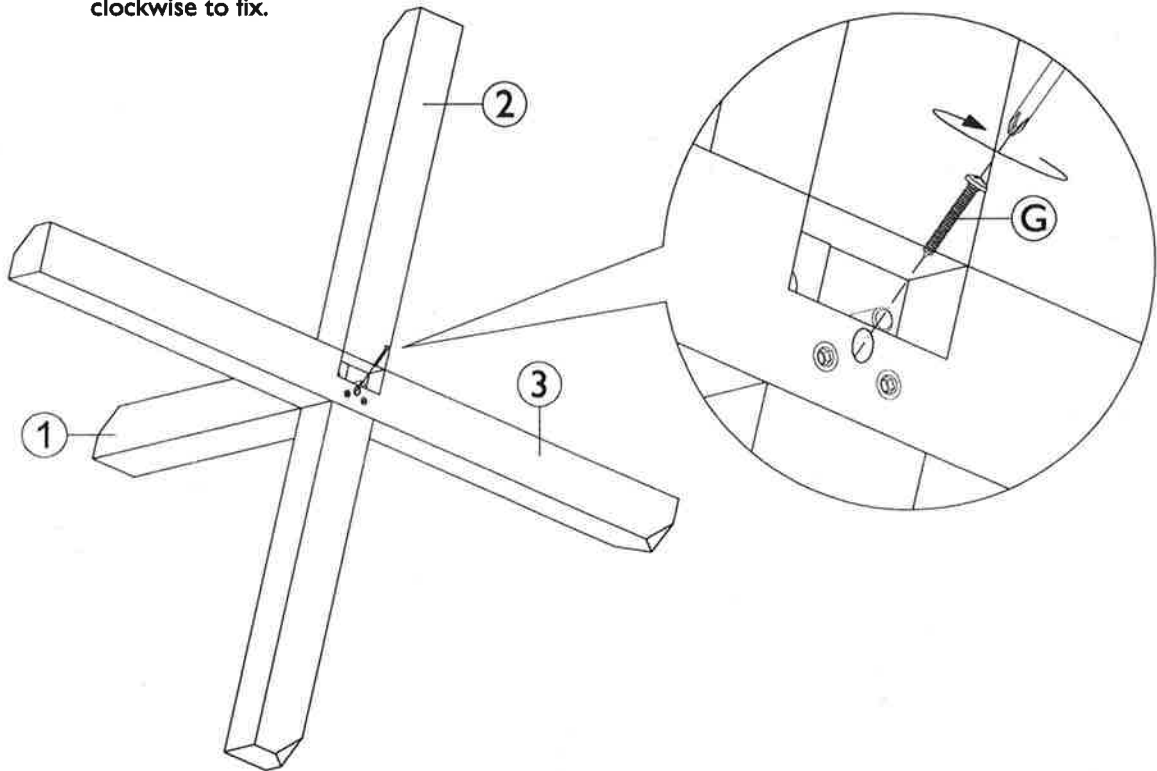
# Step By Step Assembly Instructions

**Step 5** : Stand the structure assembled in **Step 4** upright as shown. Secure leg (3) **Type-3** to leg (2) **Type-2** using 1x round head screw (G) as shown. Use a screwdriver to turn fitting (G) clockwise to fix.

Fitting

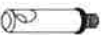


G x 1

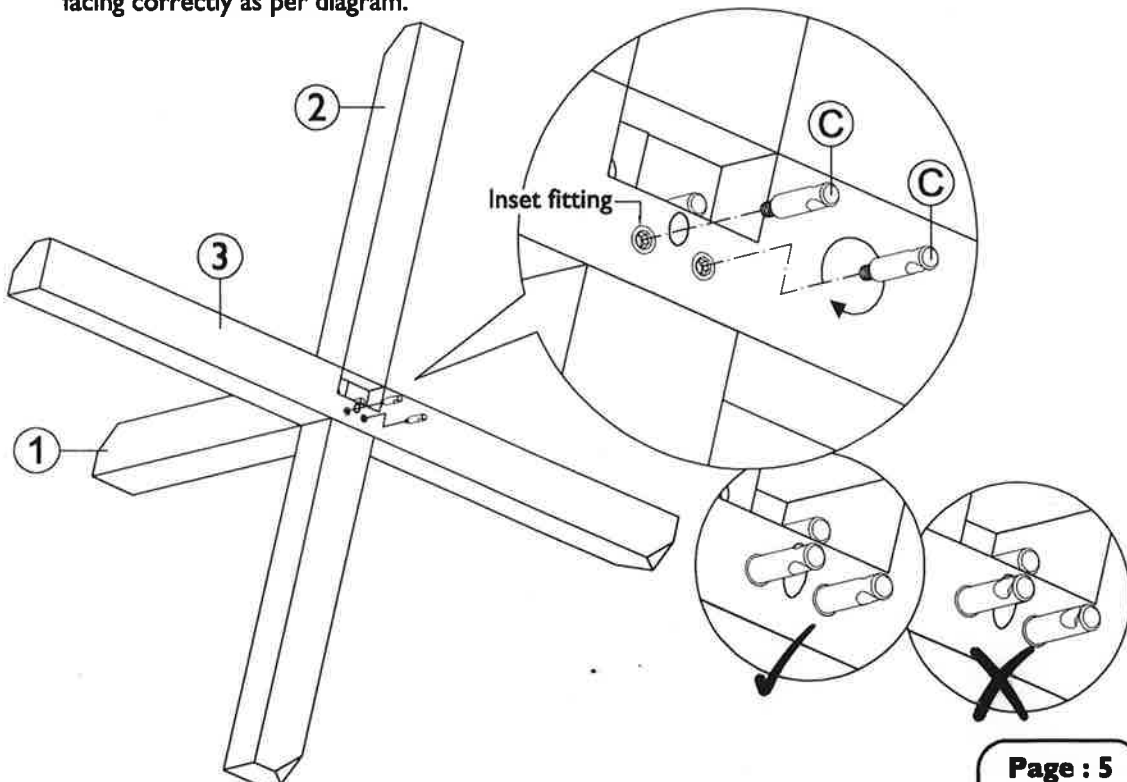


**Step 6** : Attach 2x steel dowels (C) into leg (3) **Type-3** by screwing fittings (C) into the holes of the inset fittings that are located on leg (3) as shown. Ensure the direction of holes on fittings (C) are facing correctly as per diagram.

Fitting



C x 2



# Step By Step Assembly Instructions

**Step 7** 7.1: Attach leg (4) **Type-4** onto the structure assembled in **Step 6** as shown. Ensure wooden dowel (A) and steel dowels (C) are aligned correctly with the hole of mating parts before attaching.

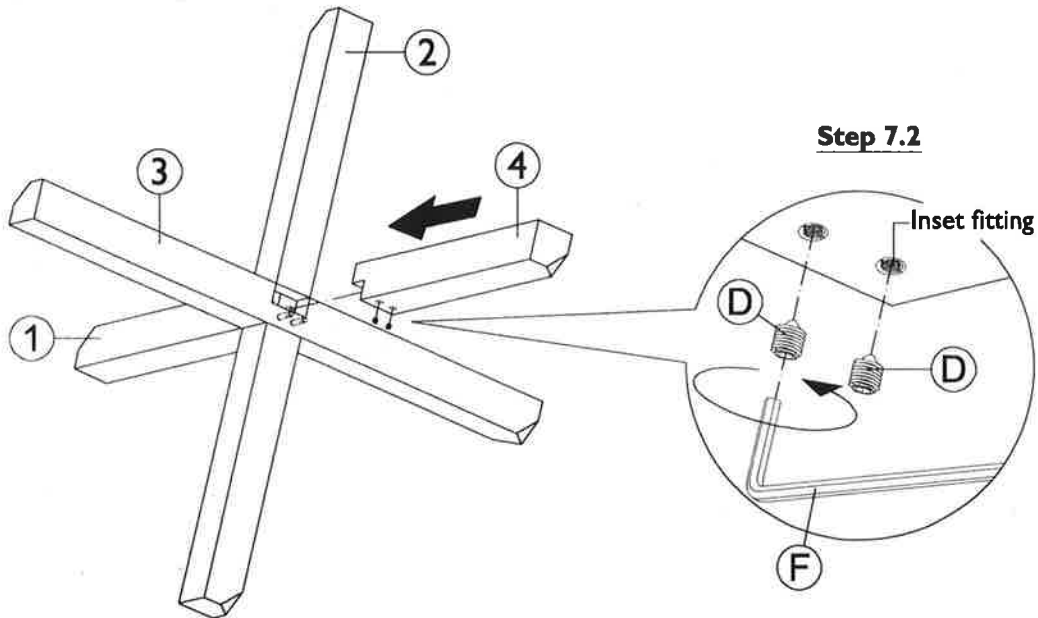
Fitting

D x 2



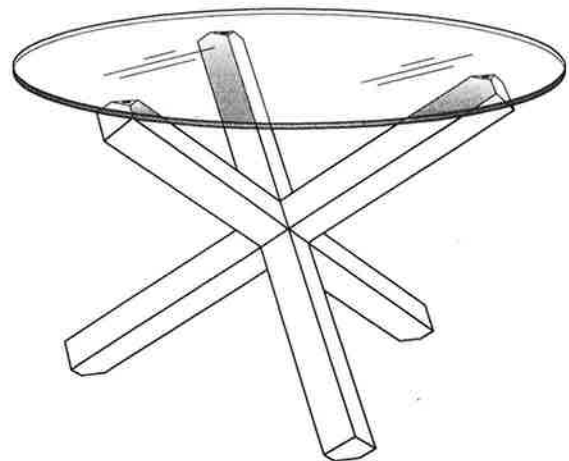
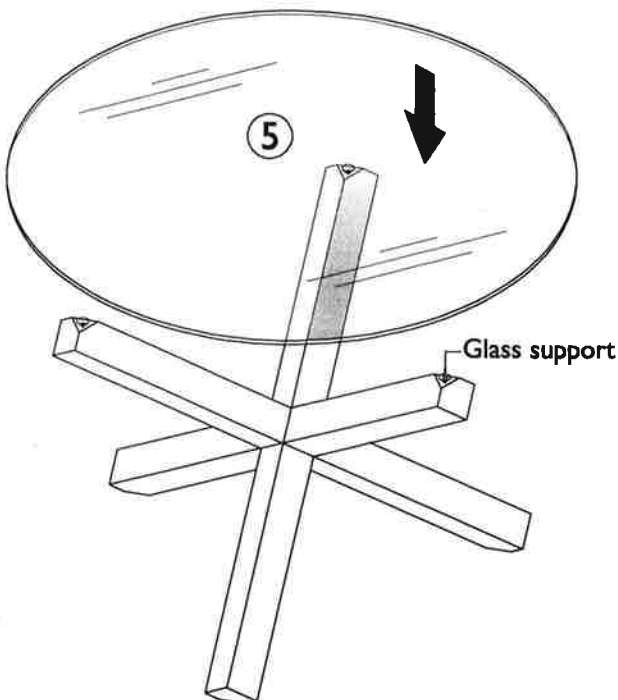
F x 1

7.2: Secure leg (4) to leg (3) by screwing 2x grub screws (D) into the inset fittings that are located on leg (4) as shown. Use large allen key (F) to turn fittings (D) clockwise to fix.



**Step 8** 8.1: Stand the unit upright as shown.  
8.2: Carefully place glass top (5) onto glass supports as shown.

## Step 8.2



**Assembly is complete**

---

## Care and Maintenance

### Wood Furniture

Wood displays different grain patterns depending on which way they are cut - for example, the 'medullary ray' which can appear on oak furniture is a mark of good quality timber - these are just characteristics of the natural beauty of the wood.

Some furniture is also deliberately aged and rustic.

Wood veneers also allow distinctive patterns to be created on some surfaces, such as table tops and drawer fronts by the way slivers are arranged.

All timber and veneer surfaces will change colour and mellow over time. New furniture will initially vary in shade from items that have been previously purchased.

### How to care for your wood furniture

Dust with a clean, damp, lint free cloth. Frequent dusting will remove abrasive build up, which can damage the finish over time.

Do not use a very wet cloth or allow any liquid to contact with the veneers for a long period of time as this can permanently damage the surface. Wipe up spills immediately.

Do not use any abrasive cleaner or harsh detergent as this can damage the surface of the furniture.

Spray polishes are best avoided as they contain silicones which may spoil the furniture's surface when building up over time.

Make sure all surfaces are protected from heat and liquids by mats and coasters.

Ensure that a mat or pad is placed under paper when you are writing on the furniture surface.

Do not place rubber, cork, vinyl or plastic materials on the wood finish as chemicals within may react with the finish if left in contact for an extended period of time.

Our furniture will endure most temperatures in the home but it is best to avoid placing furniture next to heat sources such as radiators or fires. Be particularly careful with solid wood as the lack of humidity caused by home heating can cause damage such as warping, cracking or splitting.

Excessive exposure to sunlight can cause fading of your furniture.

Avoid exposing your furniture to any liquids. All liquids should be wiped up immediately with a soft, slightly damp cloth in the direction of the wood grain. If sticky liquid residues do occur, they may be removed with a dilute solution of warm soapy water followed by a clean, damp sponge. The area should then be wiped immediately in the direction of the wood grain with a clean, soft white cloth until completely dry.

Nail polish remover, hairspray, perfume, potpourri & any other products that contains solvents can damage wood upholstery finishes.

### Safety Instructions:

Never drag furniture when moving it. Always lift it.

Periodically check all fixings to ensure none have come loose. Re-tighten when necessary.

Please take care when handling or moving the furniture as careless handling may cause damage or injury.

Furniture can be dangerous if incorrectly assembled. Assembly should be carried out by a competent person.

No liability will be accepted for damage or injury caused by incorrectly installed or assembled furniture.

### Heavy item warning:

It is recommended to seek assistance when moving a heavy object. Take care when lifting to avoid personal injury and (or) damage to the product.

It is recommended that before moving a heavy object to a new location it is completely dis-assembled to avoid personal injury or damage to the furniture. Please be careful to retain all fittings when doing this.

### Glass warning:

Do not place very hot or very cold items on the glass surface unless adequately thick table mats are used to prevent such items from coming into contact with the glass.

Do not sit or stand upon then glass surface.

Do not use the glass as a chopping surface. Do not strike the glass with hard or pointed items.

When cleaning glass panels use a damp cloth or leather with washing up liquid or soft soap if necessary; do not use washing powders or any other substances containing abrasives since these substances scratch glass.

**PLEASE KEEP THESE INSTRUCTIONS FOR FUTURE REFERENCE**

**Page : 7**

## **KEEP THESE INSTRUCTIONS FOR FURTHER USE.**

Item No.: 2623-9  
Batch No.: IW-22704/IWV-39 / 19

This product contains toughened safety glass of a nominal thickness of (10) mm which complies with BS EN: 12150.

If a glass component is chipped or broken replace with glass of the type described on this label. Consult the manufacturer, retailer or agent with regard to obtaining a manufacturing specification and shape for replacement glass quoting the model number, and batch number or date of manufacture.

### **WARNINGS**

- (1) Do not place very hot or very cold items against or in close proximity to glass surfaces unless an adequately thick insulating material is used to prevent such items from coming into contact with the glass.
- (2) Do not strike the glass with hard or pointed items. Do not sit or stand on glass.
- (3) When cleaning glass panels or mirrors use a damp cloth or leather with washing up liquid or soft soap if necessary; do not use washing powders or any other substances containing abrasives since these substances scratch glass.

IW-10-0010-0020-1-R1