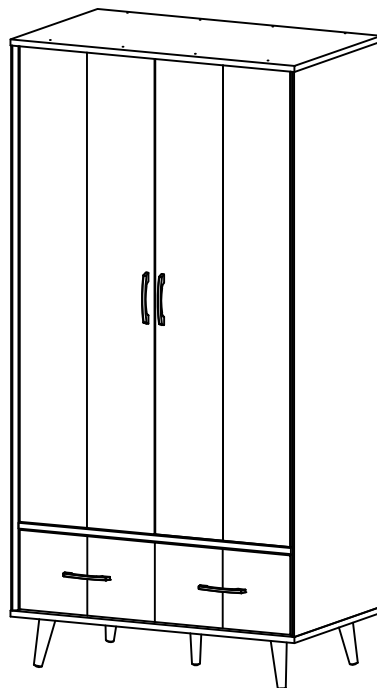


DOUBLE WARDROBE

Stock number: 3036-82

Thank you for purchasing this product. Please read the instructions carefully before use to ensure safe and satisfactory operation of this product.

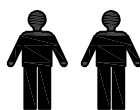


Pre-assembly preparation

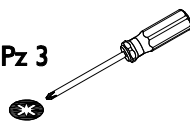
Please ensure instructions are read in full before attempting to assemble this product.

Necessary Tools : Pozi screwdriver and Phillips screwdriver

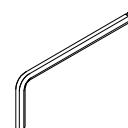
(Included)



Pz 2 or Pz 3



Ph 2



Please check the pack contents before attempting to assemble this product. A full checklist of components is given in this leaflet. If any components are missing, please contact the retailer from whom you bought this product.

This product takes approximately **60 MINUTES** to assemble with **2 PEOPLE**.

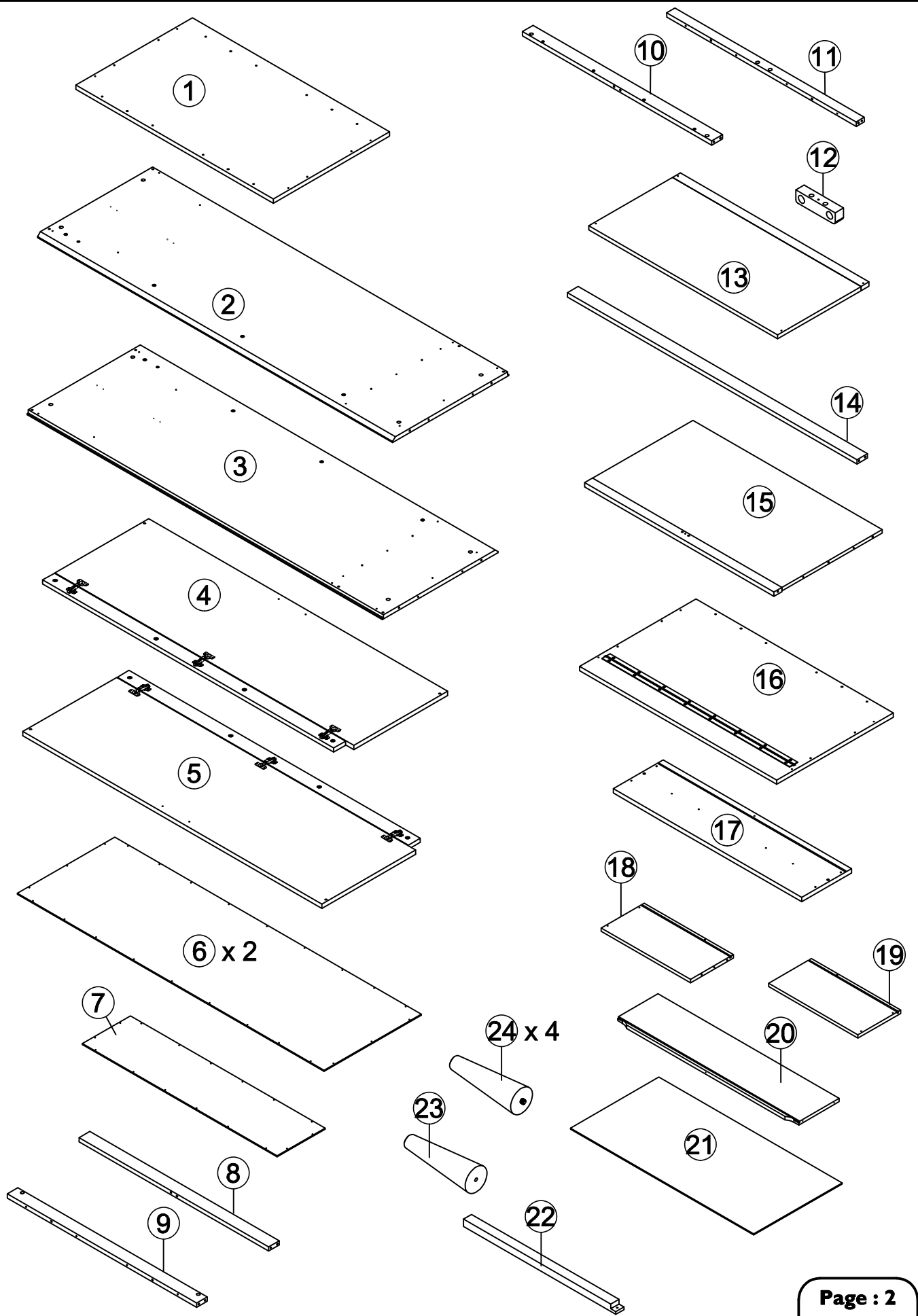
All assembly should be performed on a flat, stable, clean and soft surface.

This product is **HEAVY**, it should be assembled as near as possible to the point of use. **TAKE CARE WHEN LIFTING** to avoid personal injury and (or) damage to the product.

The fitting pack contains **SMALL ITEMS** which should be **KEPT AWAY FROM YOUNG CHILDREN**.

IMPORTANT: Retain these instructions for future reference.



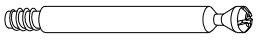








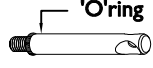
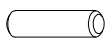


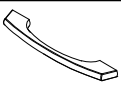



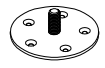

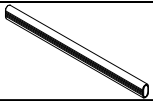
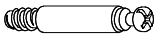


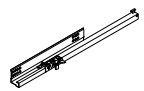

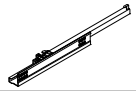
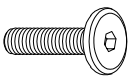

Page : 1



Fittings and parts checklist

Item	Description	Qty.	Item	Description	Qty.
1	Top panel	x 1	13	Removable shelf frame	x 1
2	Side panel left	x 1	14	Verticle back rail	x 1
3	Side panel right	x 1	15	Fix shelf frame	x 1
4	Door frame left	x 1	16	Bottom frame	x 1
5	Door frame right	x 1	17	Drawer front	x 1
6	Back panel A	x 2	18	Drawer side left	x 1
7	Back panel B	x 1	19	Drawer side right	x 1
8	Top back rail	x 1	20	Drawer back	x 1
9	Bottom back rail	x 1	21	Drawer bottom	x 1
10	Middle back rail	x 1	22	Support drawer bottom	x 1
11	Top front rail	x 1	23	Center leg	x 1
12	Wood stopper	x 1	24	Leg	x 4

Fittings and parts checklist

A	Steel dowel Ø7 x 52mm		x 4	R	Wood shelf support		x 4
B	Steel dowel Ø7 x 72.5mm		x 4	S	Flat head screw Ø4 x 15mm		x 7
C	Grub screw Ø8 x 8mm		x 8	T	Round head screw Ø4 x 18mm		x 1
D	Hanger rail support		x 4	U	Round head screw Ø3.5 x 18mm		x 64
E	Varianta screw Ø4.2 x 10.5mm		x 8	V	Round head screw Ø4 x 40mm		x 4
F	Varianta screw Ø6 x 13.5mm		x 4	W	Small steel dowel Ø5.5x45mm		x 2
G	Wooden dowel Ø6 x 30mm		x 19	X	Small grub screw Ø7x7.5mm		x 2
H	Wooden dowel Ø8 x 30mm		x 20	Y	Handle		x 4
J	Cam lock 1 (18/19mm panel)		x 3	Z	Metric Bolt M4x28mm		x 8
K	Cam lock 2 (18/19mm panel)		x 8	dd	Mouting plate leg		x 1
L	Cam lock 3 (15/16mm panel)		x 4	ee	Hanger rail		x 1
M	Cam screw Ø7 x 44.5mm		x 15	ff	Allen key		x 1
N	Confirmat screw Ø7 x 38mm		x 12	gg	Left runner		x 1
P	Hi-Lo Screw Ø4 x 50mm		x 4	hh	Right runner		x 1
Q	Hex head bolt M6 x 25mm		x 8	jj	Round head screw Ø4 x 30mm		x 1

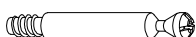
Step by step assembly instructions

- Step 1**
- 1.1 : Lay all parts onto a flat, stable, clean and soft surface.
 - 1.2 : Attach 4x steel dowels (A) onto the pre-drilled holes on top panel (1) as shown. Use a pozi screwdriver to turn fittings (A) clockwise to fix
 - 1.3 : Attach 4x steel dowels (B) onto the pre-drilled holes on bottom panel (16) as shown. Use a pozi screwdriver to turn fittings (B) clockwise to fix
 - 1.4 : Attach 4x hanger rail supports (D) onto the pre-drilled holes on side panels (2) & (3) using 8x varianta screws (E) as shown. Use a screwdriver to turn fittings (E) clockwise to fix.
 - 1.5 : Attach 14x cam screws (M) onto the pre-drilled holes on side panels (2) & (3) as shown. Use a pozi screwdriver to turn fittings (M) clockwise to fix.

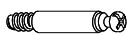
Fitting



A x 4



B x 4



M x 14



E x 8



D x 4

Step 1.2

Step 1.3

Step 1.5

Step 1.5

Step 1.4

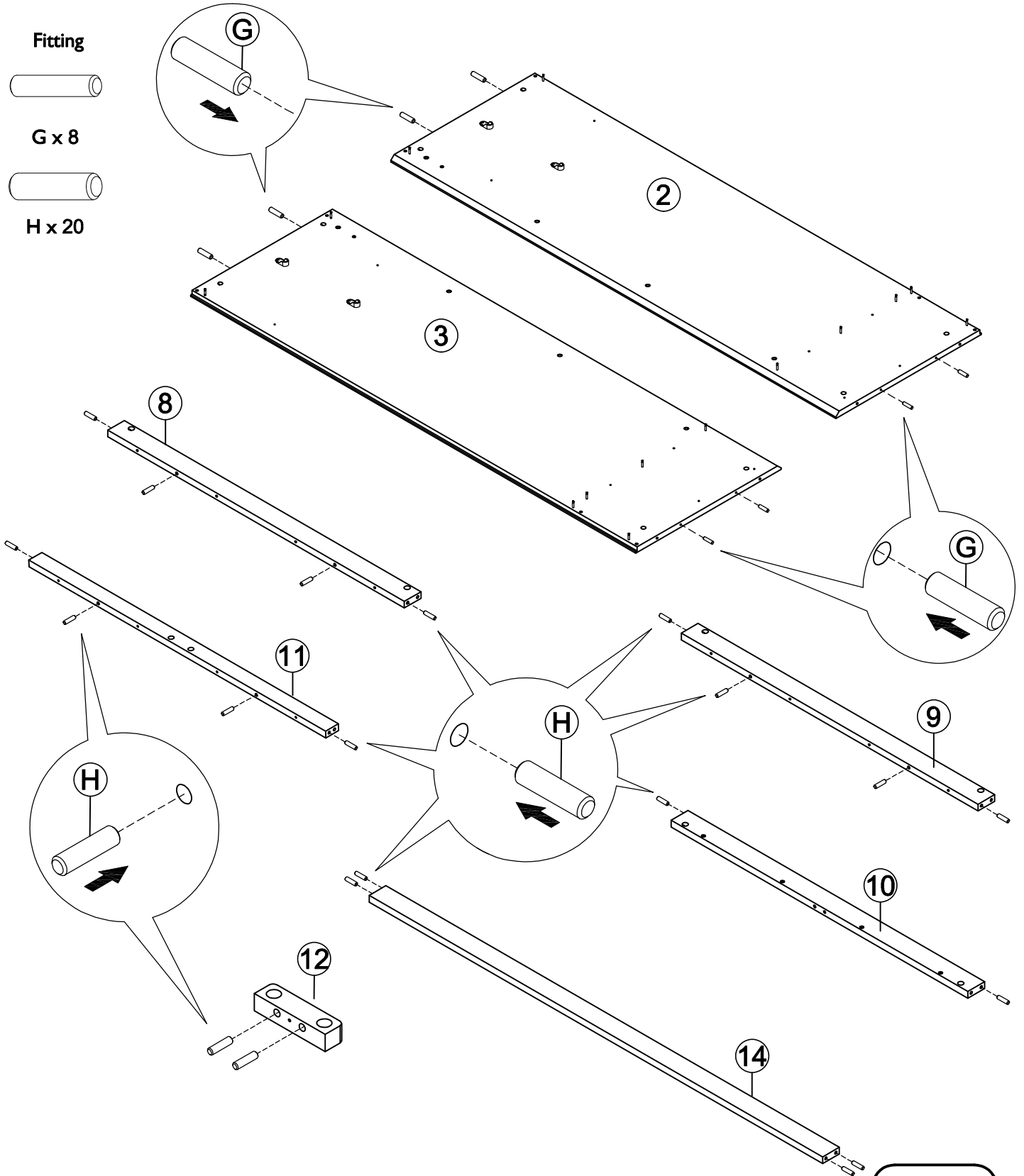
Step 1.5

Step 1.5

Page : 5

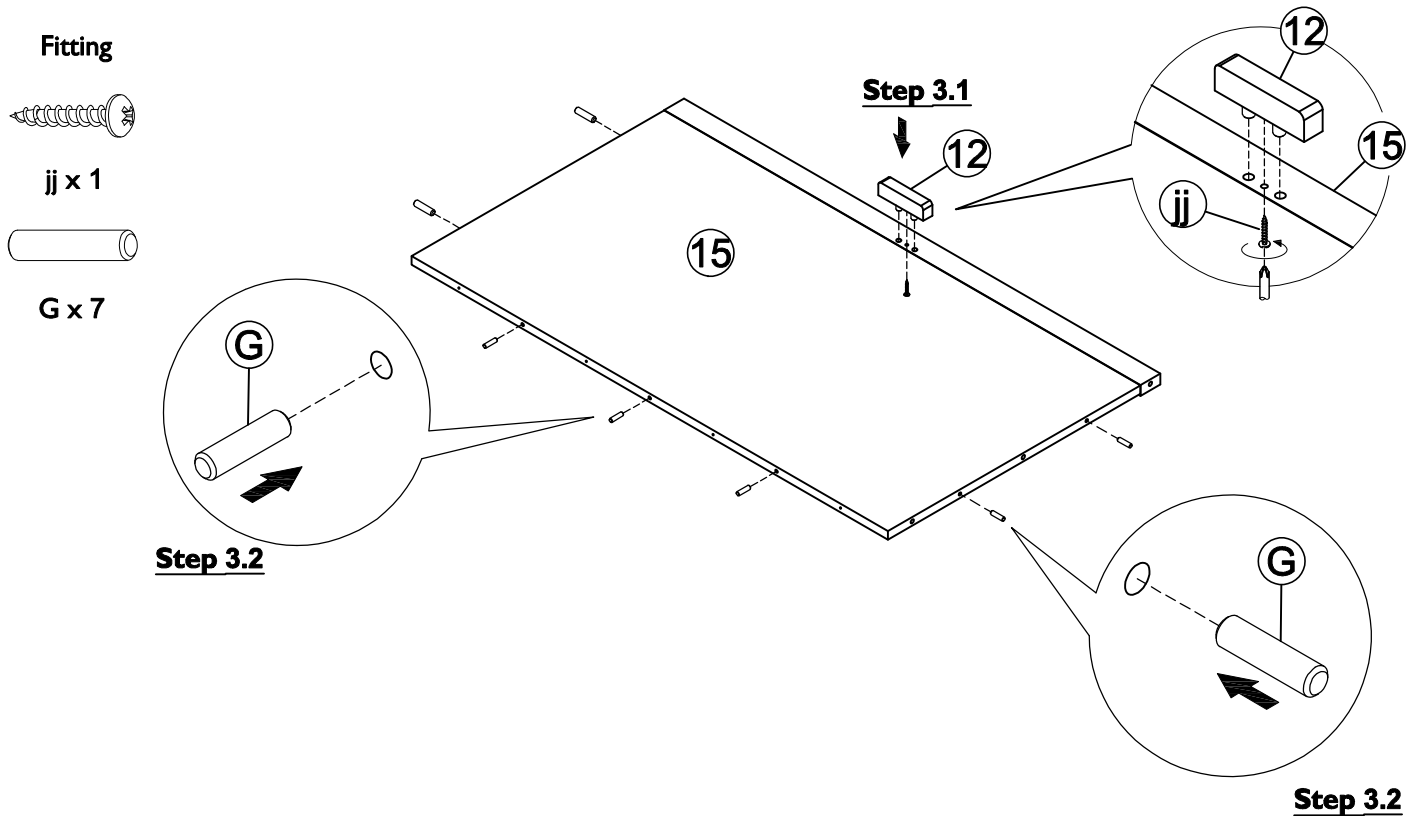
Step by step assembly instructions

- Step 2** 2.1 : Insert 8x wooden dowels (G) into the pre-drilled holes on parts (2), (3) as shown.
2.2 : Insert 20x wooden dowels (H) into the pre-drilled holes on parts (8), (9), (10), (11), (12), (14) as shown.

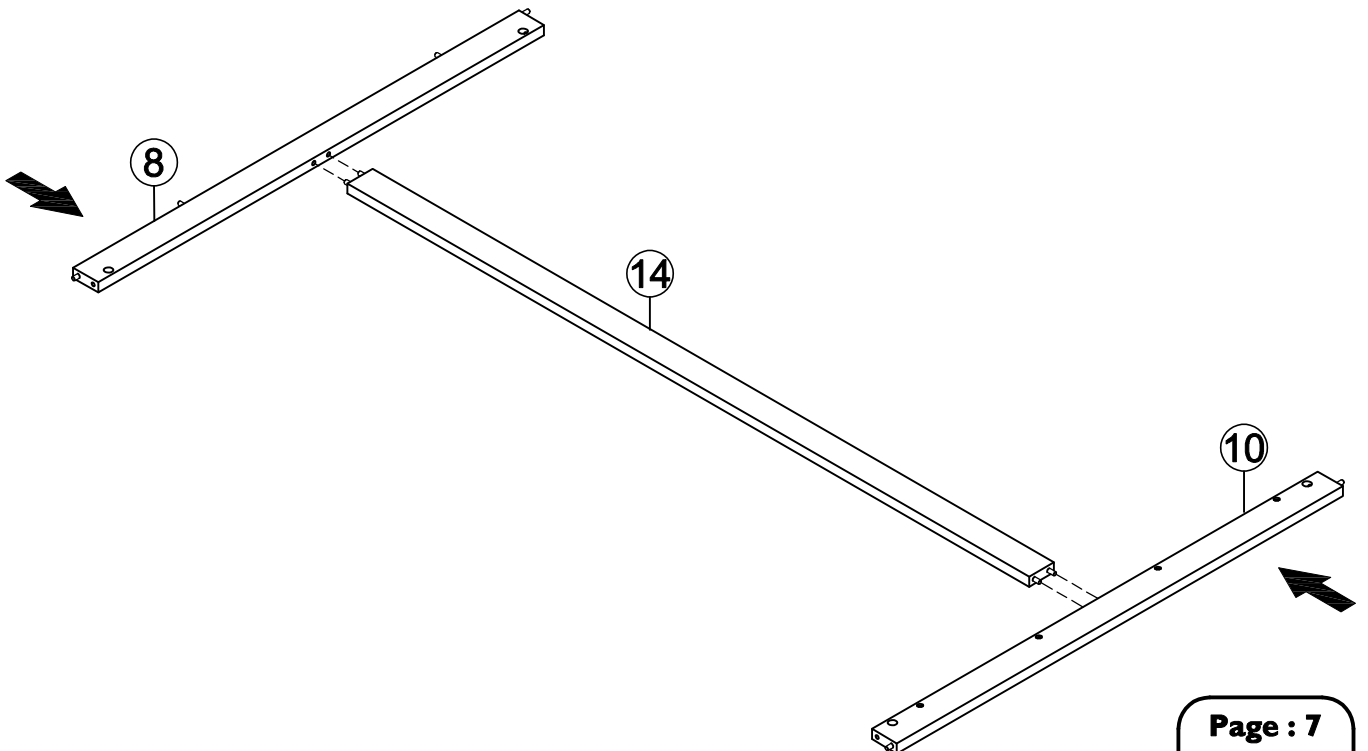


Step by step assembly instructions

- Step 3** 3.1 : Attach the wood stopper (12) onto fixed shelf frame (15) as shown. Ensure wooden dowels (H) are aligned correctly with the holes of mating parts before attaching. Using 1x round head screw (jj) to secure part (12) to part (15). Use a screwdriver to turn fitting (jj) clockwise to fix.
- 3.2 : Insert 7x wooden dowels (G) into the pre-drilled holes on part (15) as shown.



- Step 4** : Attach top back rail (8), middle back rail (10) onto vertical back rail (14) as shown. Ensure wooden dowels (H) are aligned correctly with the holes of mating parts before attaching.



Step by step assembly instructions

- Step 5** 5.1 : Attach structure assembled in **Step 3** onto structure assembled in **Step 4** as shown. Ensure wooden dowels (G) are aligned correctly with the holes of mating parts before attaching.
- 5.2 : Attach the structure assembled in **Step 5.1**, bottom back rail (9) and top front rail (11) onto side panel left (2) as shown. Ensure cam screws (M), wooden dowels (G) and (H) are aligned correctly with the holes of mating parts before attaching.
- 5.3 : Secure all parts (8), (9) & (10) to part (2) using 3x cam locks (K) as shown. Use a pozi screwdriver to turn fittings (K) clockwise to fix.
- 5.4 : Secure all parts (11) to part (2) using 1x cam locks (J) as shown. Use a pozi screwdriver to turn fittings (J) clockwise to fix.
- 5.5 : Secure part (15) to part (2) using 1x cam locks (K) and 2x cam lock (L) as shown. Use a pozi screwdriver to turn fittings (K), (L) clockwise to fix.

Fitting



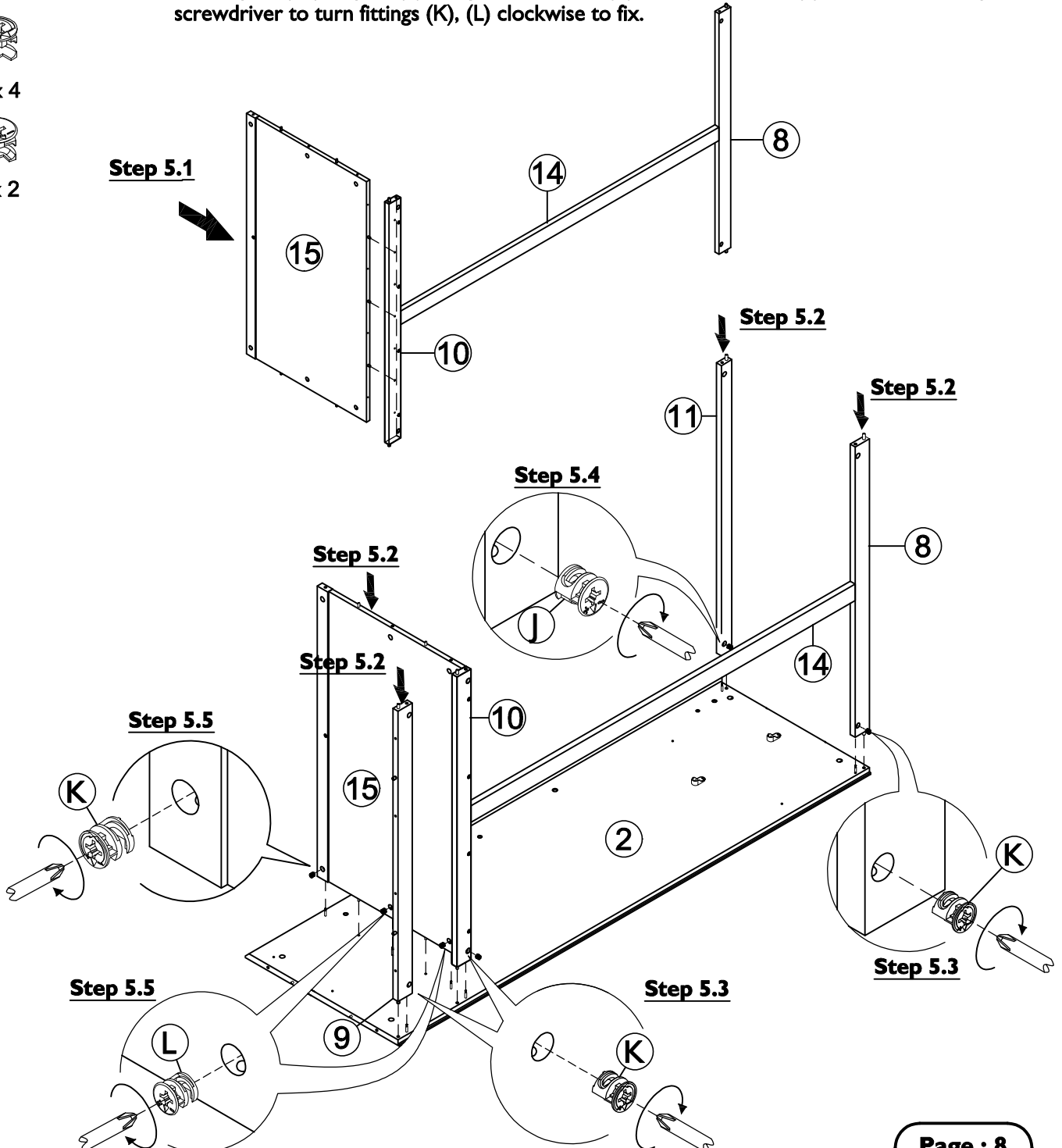
J x 1



K x 4



L x 2



Step by step assembly instructions

- Step 6**
- 6.1 : Attach side panel right (3) onto the structure assembled in **Step 5** as shown. Ensure cam screws (M), wooden dowels (G) and wooden dowels (H) are aligned correctly with the holes of mating parts before attaching.
 - 6.2 : Secure all parts (3) to part (8), (9) & (10) using 3x cam locks (K) as shown. Use a pozi screwdriver to turn fittings (K) clockwise to fix.
 - 6.3 : Secure parts (3) to part (11) using 1x cam locks (J) as shown. Use a pozi screwdriver to turn fitting (J) clockwise to fix.
 - 6.4 : Secure part (3) to part (15) using 1x cam locks (K) and 2x cam lock (L) as shown. Use a pozi screwdriver to turn fittings (K), (L) clockwise to fix.
 - 6.5 : Secure part (10) to part (15) using 4x hi-lo screw (P) as shown. Use a pozi screwdriver to turn fittings (P) clockwise to fix.

Fitting



J x 1



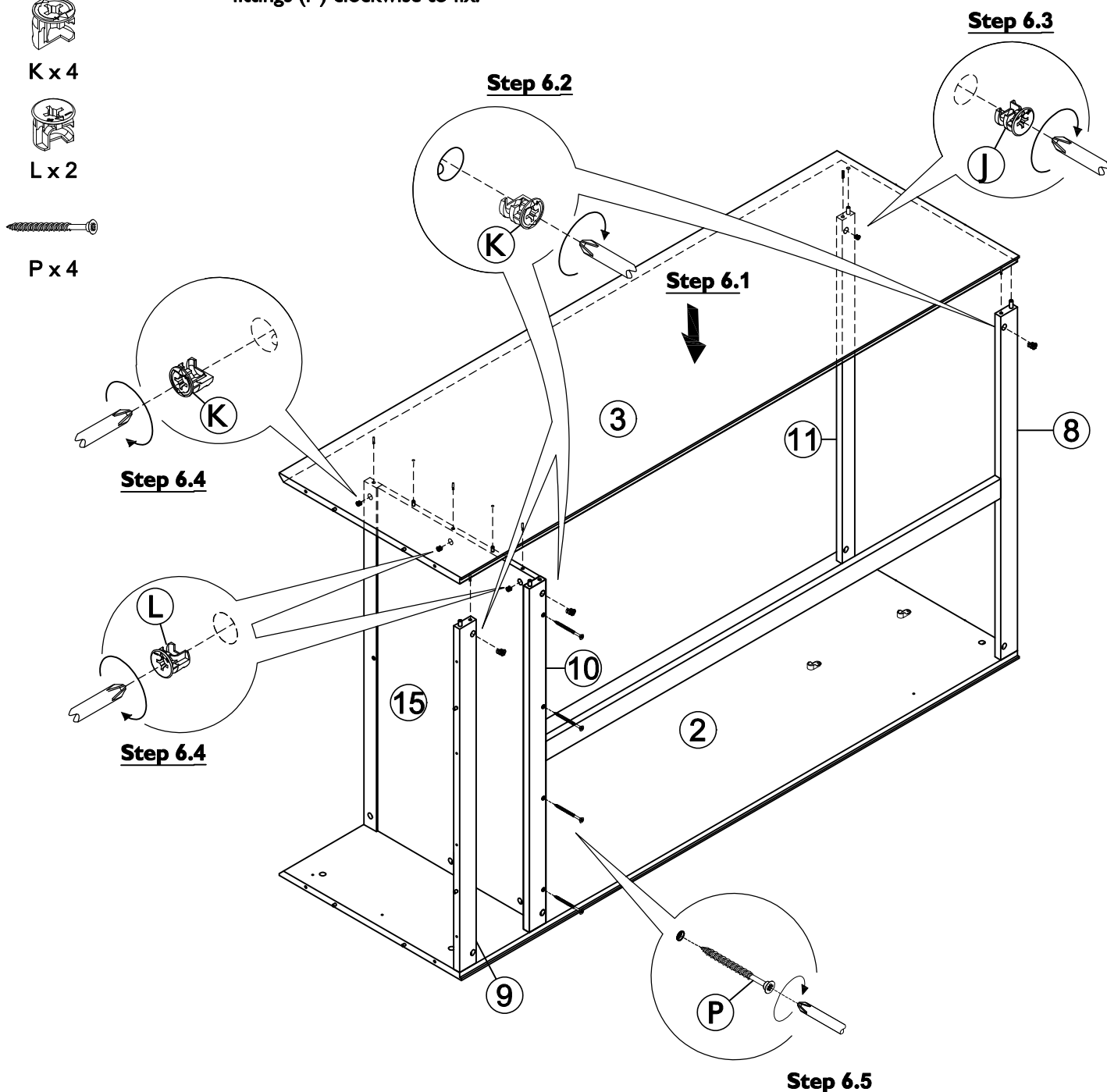
K x 4



L x 2



P x 4



Step 6.3

Step 6.2

Step 6.1

Step 6.4

Step 6.4

Step 6.5

Page : 9

Step by step assembly instructions

Step 7 7.1 : Attach top panel (1) onto the structure assembled in **Step 6** as shown. Ensure steel dowels (A), wooden dowels (G) and wooden dowels (H) are aligned correctly with the holes of mating parts before attaching.

7.2 : Secure part (1) to parts (2) & (3) using 4x grub screws (C) as shown. Use allen key (ff) to turn fittings (C) clockwise to fix.

Fitting

7.3 : Secure part (1) to parts (2) & (3) using 8x confirmat screws (N) as shown. Use allen key (ff) to turn fittings (N) clockwise to fix.



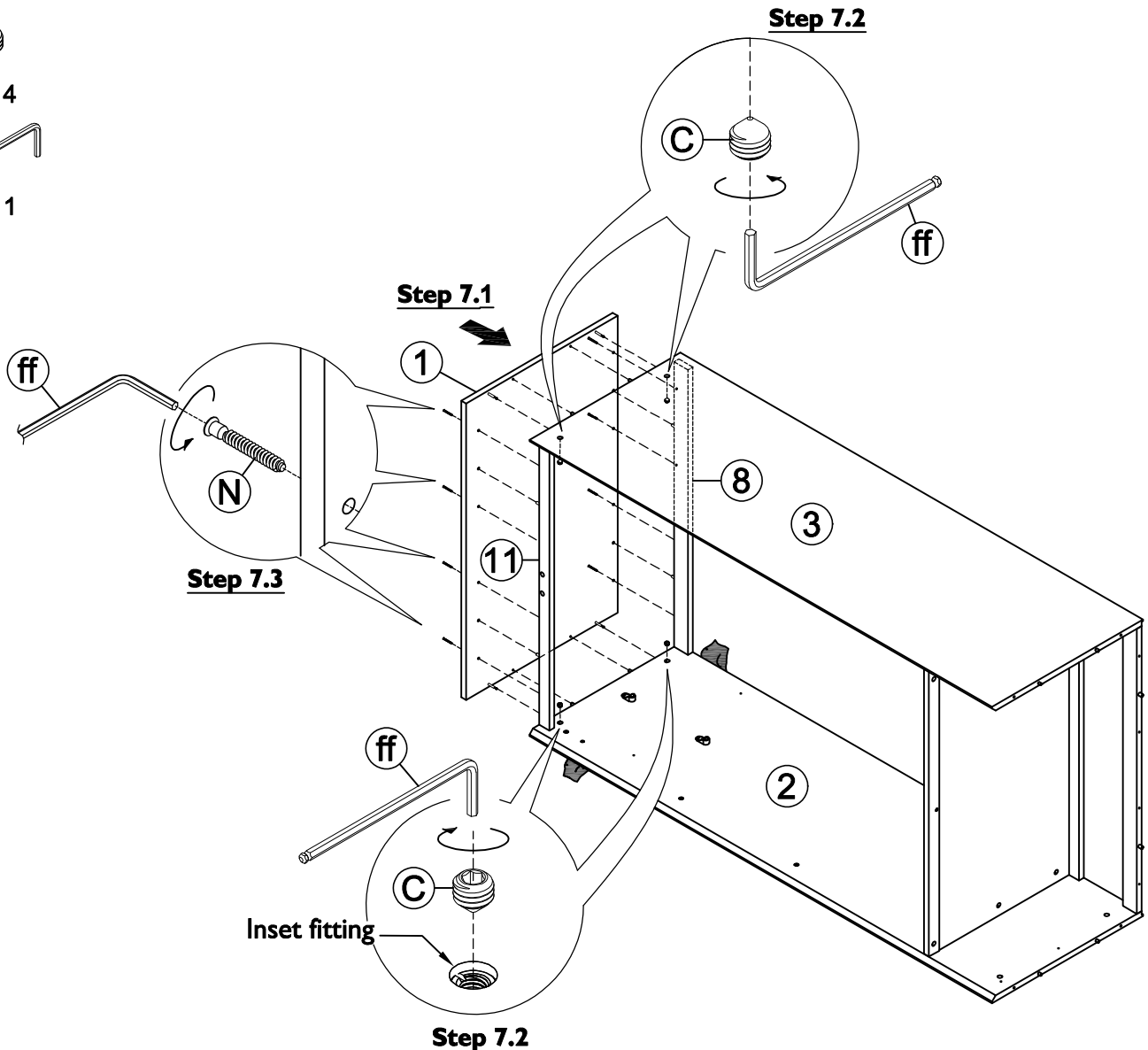
N x 8



C x 4



ff x 1



Step by step assembly instructions

- Step 8**
- 8.1 : Attach bottom panel (16) onto the structure assembled in **Step 7** as shown. Ensure steel dowels (B), wooden dowels (G) and wooden dowels (H) are aligned correctly with the holes of mating parts before attaching.
- 8.2 : Secure part (16) to parts (2) & (3) using 4x grub screws (C) as shown. Use allen key (ff) to turn fittings (C) clockwise to fix.
- 8.3 : Secure part (16) to part (9) using 3x confirmat screws (N) as shown. Use allen key (ff) to turn fittings (N) clockwise to fix.

Fitting



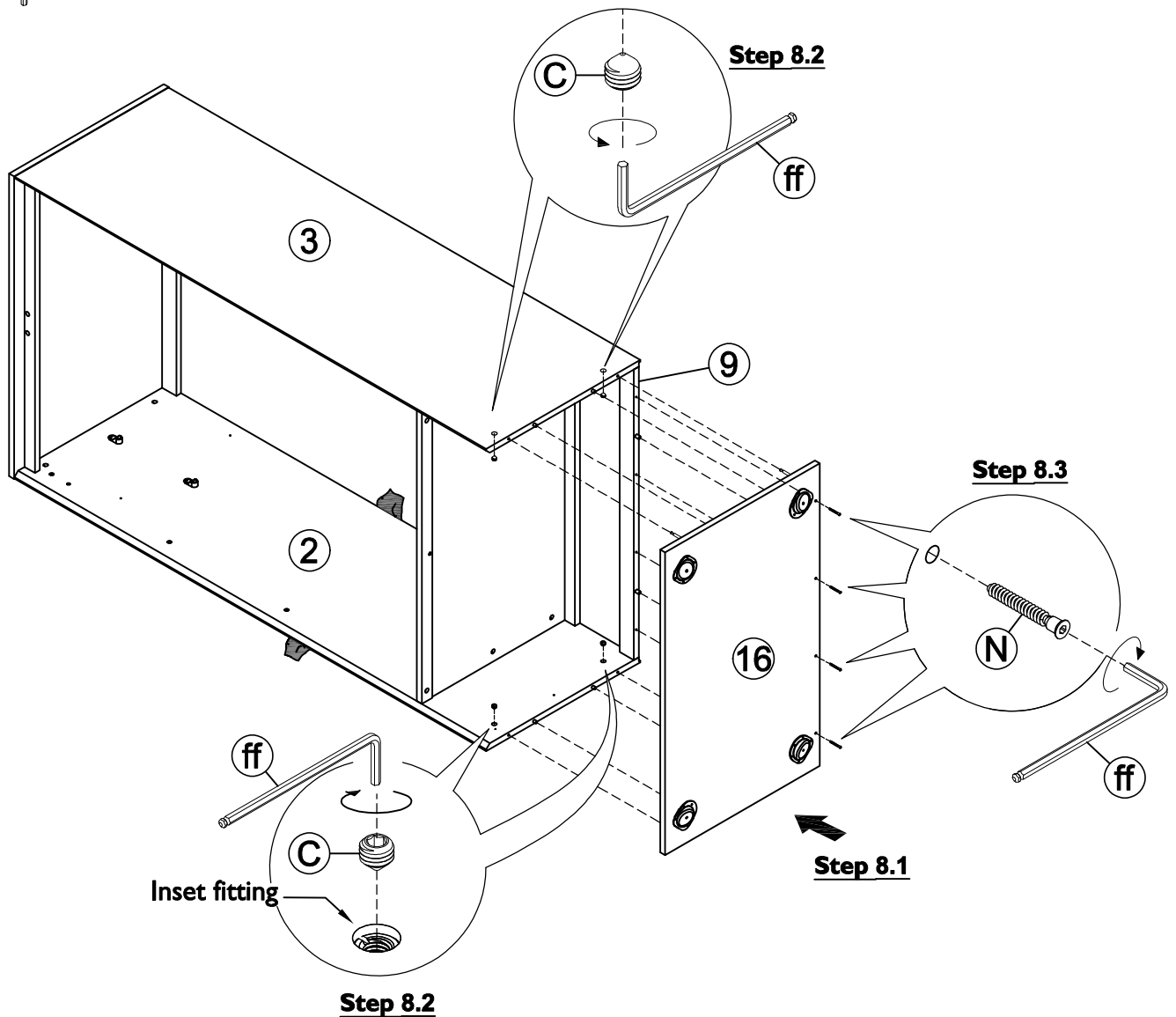
N x 4



C x 4



ff x 1



Step by step assembly instructions

- Step 9**
- 9.1: Attach back panels A (6) & back panel B (7) onto back side of the unit using 64x round head screws (U) as shown. Use a screwdriver to turn fittings (U) clockwise to fix.
- 9.2: Attached 1x mounting plate leg (dd) into bottom panel (16) by screwing 5x flat head screws (S) as shown. Use a phillips screwdriver to turn fittings (S) clockwise to fix.
- 9.3 : Screw each legs (24) & center leg (23) into the mounting plate on bottom panel (16) as shown. Continue to re-tighten until it is securely fastened.
Repeat this procedure for the remaining legs (24).
- 9.4 : With help of assistant, carefully turn the unit upright.

Fitting



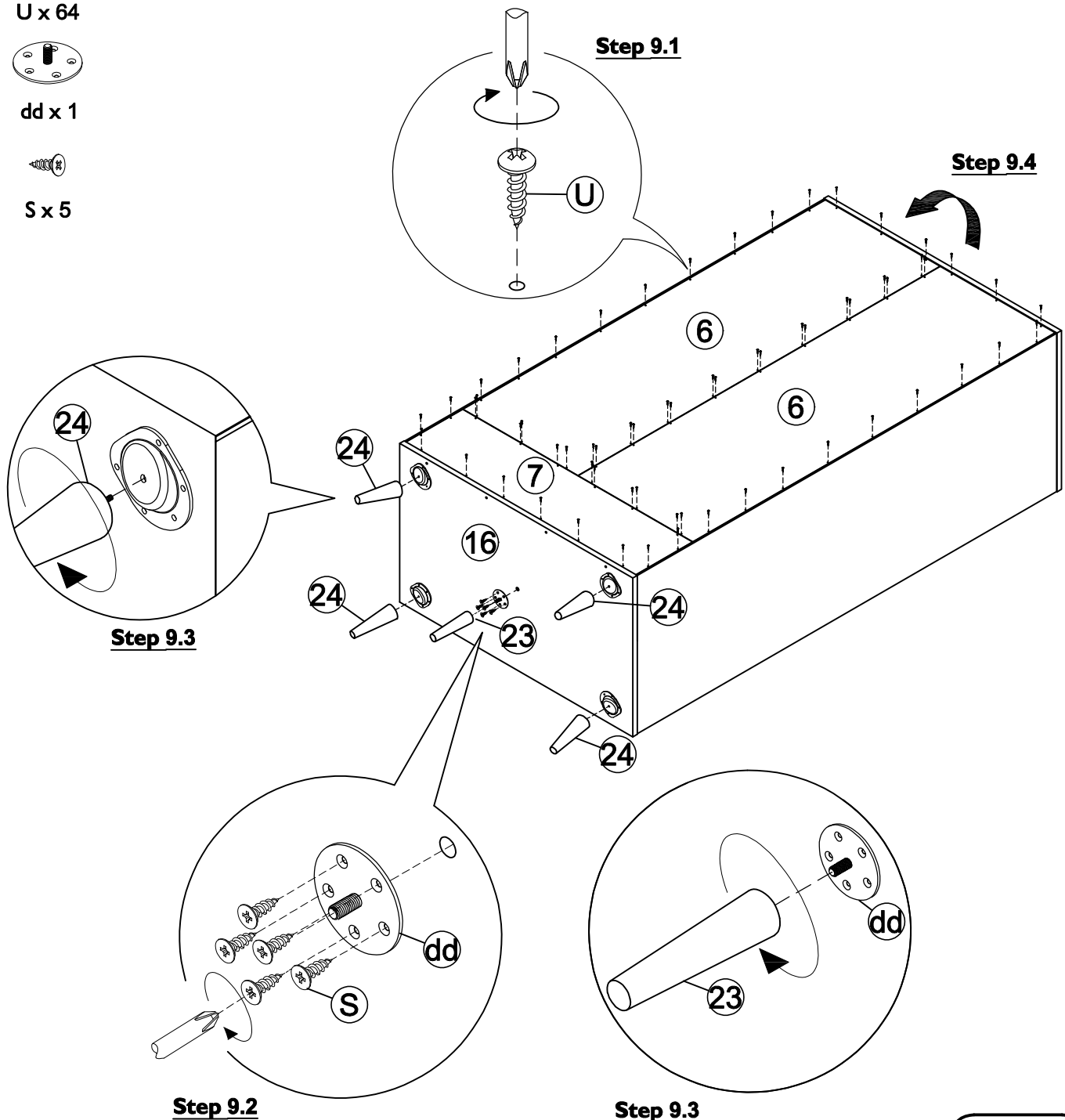
U x 64



dd x 1



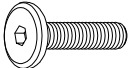
S x 5



Step by step assembly instructions

Step 9 : Attach doors (4) & (5) to side panels (2) & (3) by screwing 8x hex head bolts (Q) into inset fittings that are located on parts (2) & (3) as shown. Ensure the holes on doors (4) & (5) are aligned correctly with the mating spring pins on side panels (2) & (3) before attaching. Use allen key (ff) to turn fittings (Q) clockwise to fix.

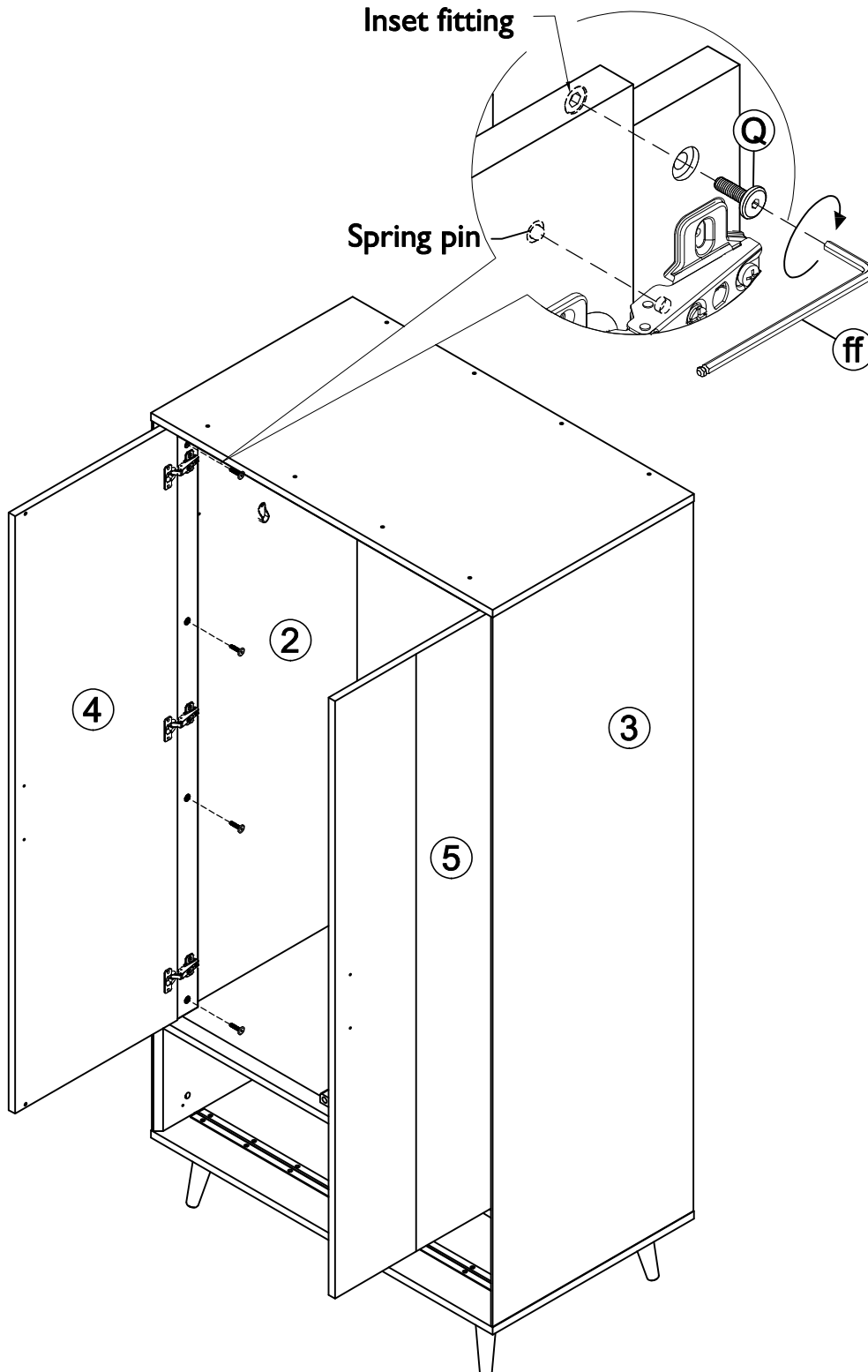
Fitting



Q x 8



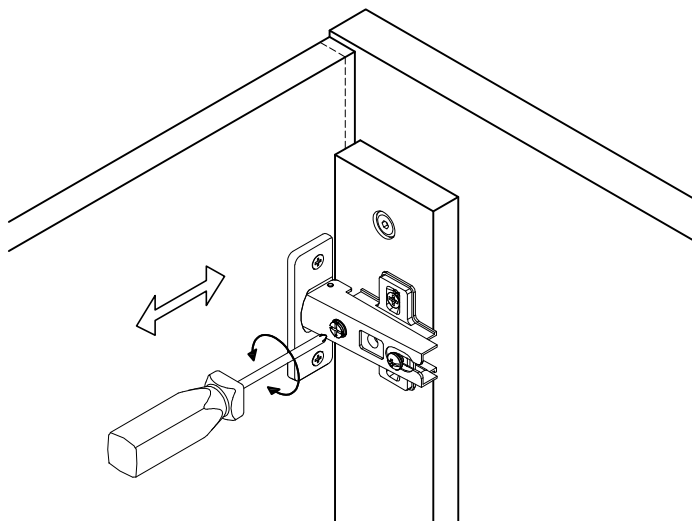
ff x 1



HINGE ADJUSTMENT INSTRUCTIONS

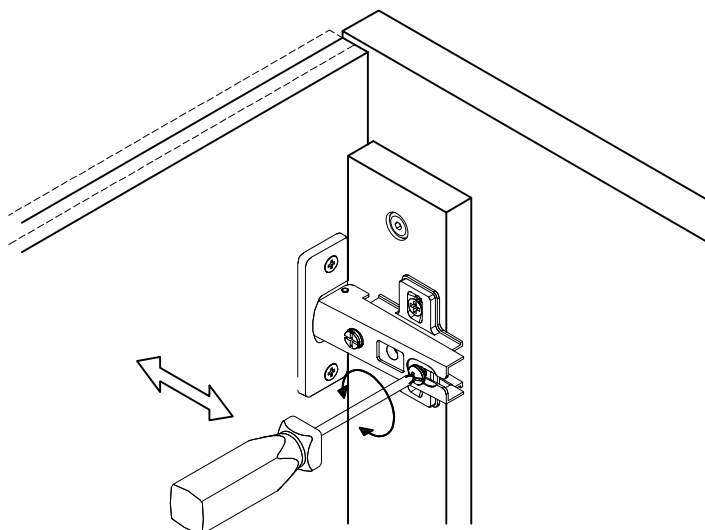
LATERAL ADJUSTMENT

by screw adjustment.



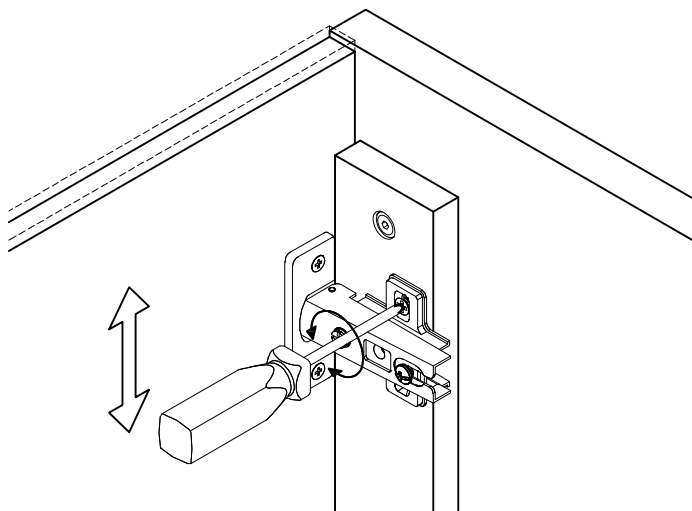
FRONT-TO-BACK

by slackening and retightening the hinge-arm mounting screw.



VERTICAL ADJUSTMENT

via slots on mounting plate by slackening and retightening the screws on mounting plate



Step by step assembly instructions

Step 10

- 10.1 : Insert 2x wood shelf supports (R) into the pre-drilled holes in left side panel (2) as shown.
 10.2 : Tilt removable shelf (13) to a suitable angle as shown in the picture so as to slide it in.
 10.3 : Slide removable shelf (13) into the unit. Ensure the holes on removable shelf (13) are facing down, then lower the left side of part (13) onto the pins of wood shelf supports (R) as shown.
 10.4 : Lift up right side of removable shelf (13).
 10.5 : Insert 2x wood shelf supports (R) into the pre-drilled holes in right side panel (3) as shown.
 10.6 : Lower removable shelf (13) onto the pins of wood shelf supports (R) as shown.
 10.7 : Place hanger rail (ee) onto hanger rail supports (D) on left & right sides of unit as shown.
Note : Hanger rail (ee) can be installed in both up and down of the cabinet.
 10.8 : Attach 2x handles (Y) to the front of doors (4) & (5) using 4x round head bolts (Z) as shown. Use a screwdriver to turn fittings (Z) clockwise to fix.

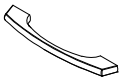
Fitting



R x 4



ee x 1

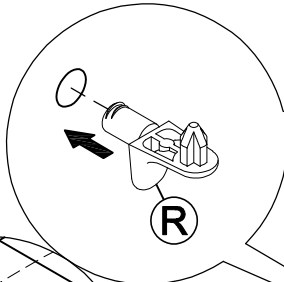


Y x 2

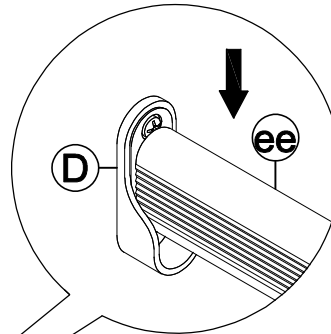


Z x 4

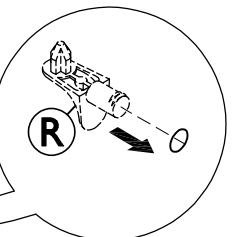
Step 10.1



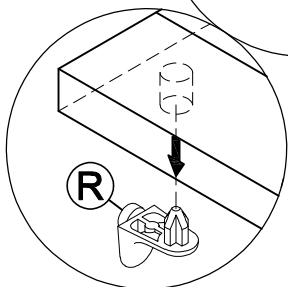
Step 10.7



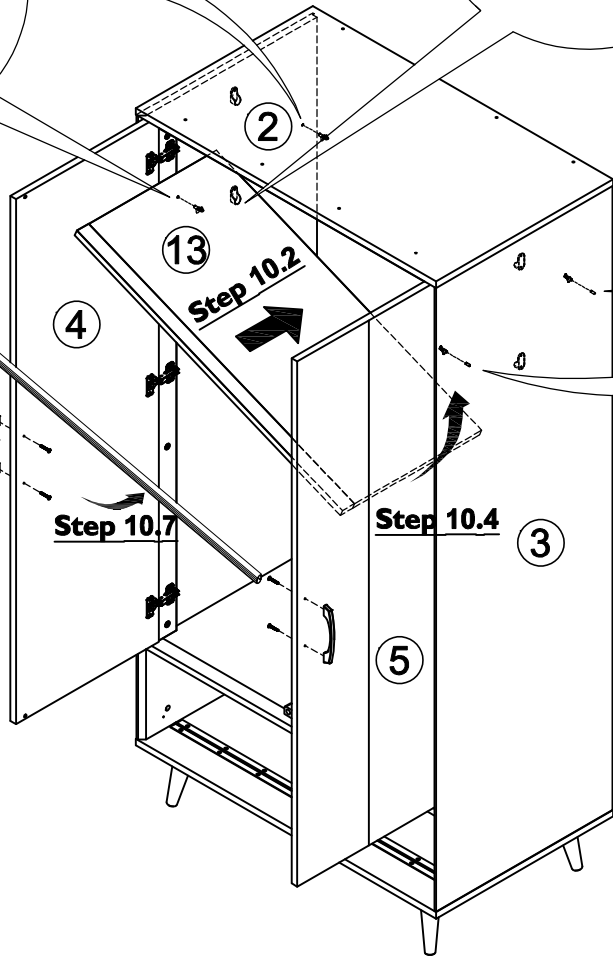
Step 10.5



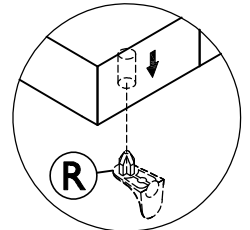
Step 10.3



Step 10.2



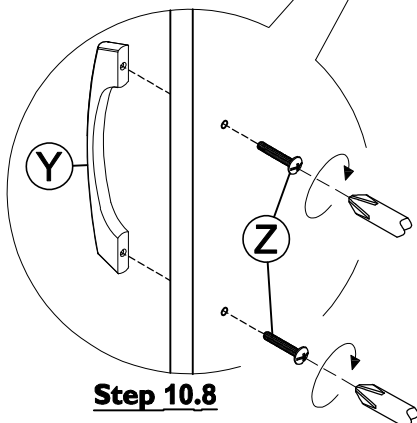
Step 10.6



Step 10.7

Step 10.4

Step 10.8



Step by step assembly instructions

Step 11 11.1 : Attach 2x small steel dowels (W) into drawer front (17) by screwing fittings (W) into the inset fittings that are located on part (17) as shown. Ensure the direction of the holes on fittings (W) are facing correctly as per diagram.

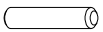
11.2 : Attach 1x cam screw (M) into the pre-drilled holes on part (17) as shown. Use a pozi screwdriver to turn fitting (M) clockwise to fix.

11.3 : Insert 4x wooden dowels (G) into the pre-drilled holes on drawer sides (18), (19) as shown.

Fitting



W x 2

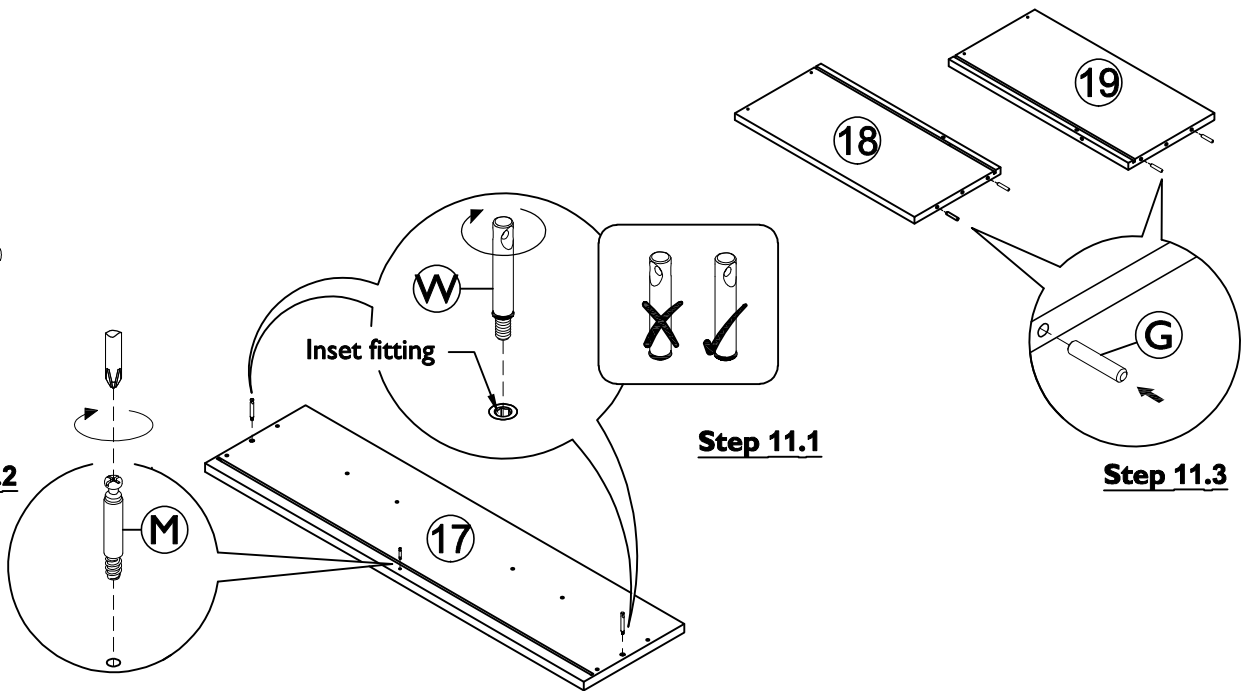


G x 4



M x 1

Step 11.2

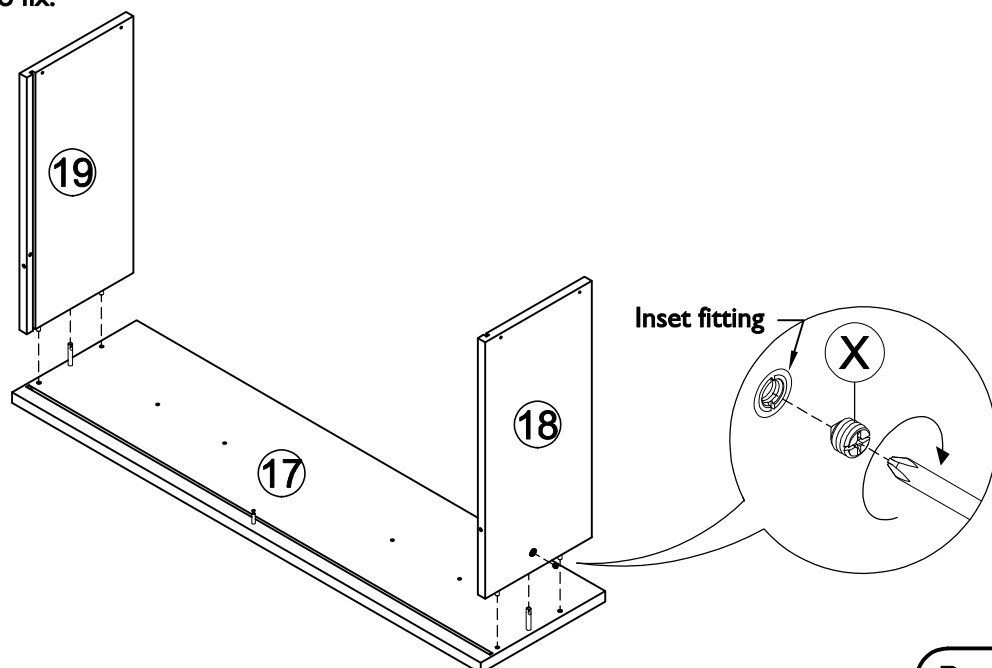


Step 12 Attach drawer sides (18) & (19) onto drawer front (17) using 2x small grub screws (X) as shown. Ensure small steel dowels (W) and wooden dowels (G) are aligned correctly with the holes of mating parts before attaching. Use a pozi screwdriver to turn fittings (X) clockwise to fix.

Fitting



X x 2



Step by step assembly instructions

Step 13

13.1: Slide drawer bottom (21) into the slots inside drawer sides (18) & (19) as shown. Ensure the drawer bottom (21) are placed completely in the slot of drawer front (17).

13.2: Attach support drawer bottom (22) onto drawer front (17). Ensure 1x cam screw (M) is aligned correctly with the holes of mating parts before attaching.

13.3 : Place drawer back (20) onto the top of constructed drawer box. Ensure the slot under drawer back (20) are aligned correctly with drawer bottom (21) before attaching.

13.4: Secure drawer back (20) to the drawer box using 4x round head screws (V) as shown.

Use a screwdriver to turn fittings (V) clockwise to fix

13.5 : Secure support drawer bottom (22) to part (20) using 1x round head screw (T) as shown. Use a screwdriver to turn fittings (T) clockwise to fix.

13.6: Secure support drawer bottom (22) to part (17) using 1x cam lock (J) as shown. Use a pozi screwdriver to turn fittings (J) clockwise to fix.

13.7: Attach 2x handles (Y) to drawer front (17) using 4x round head bolts (Z) as shown. Use a screwdriver to turn fittings (Z) clockwise to fix.

Fitting



V x 4



T x 1



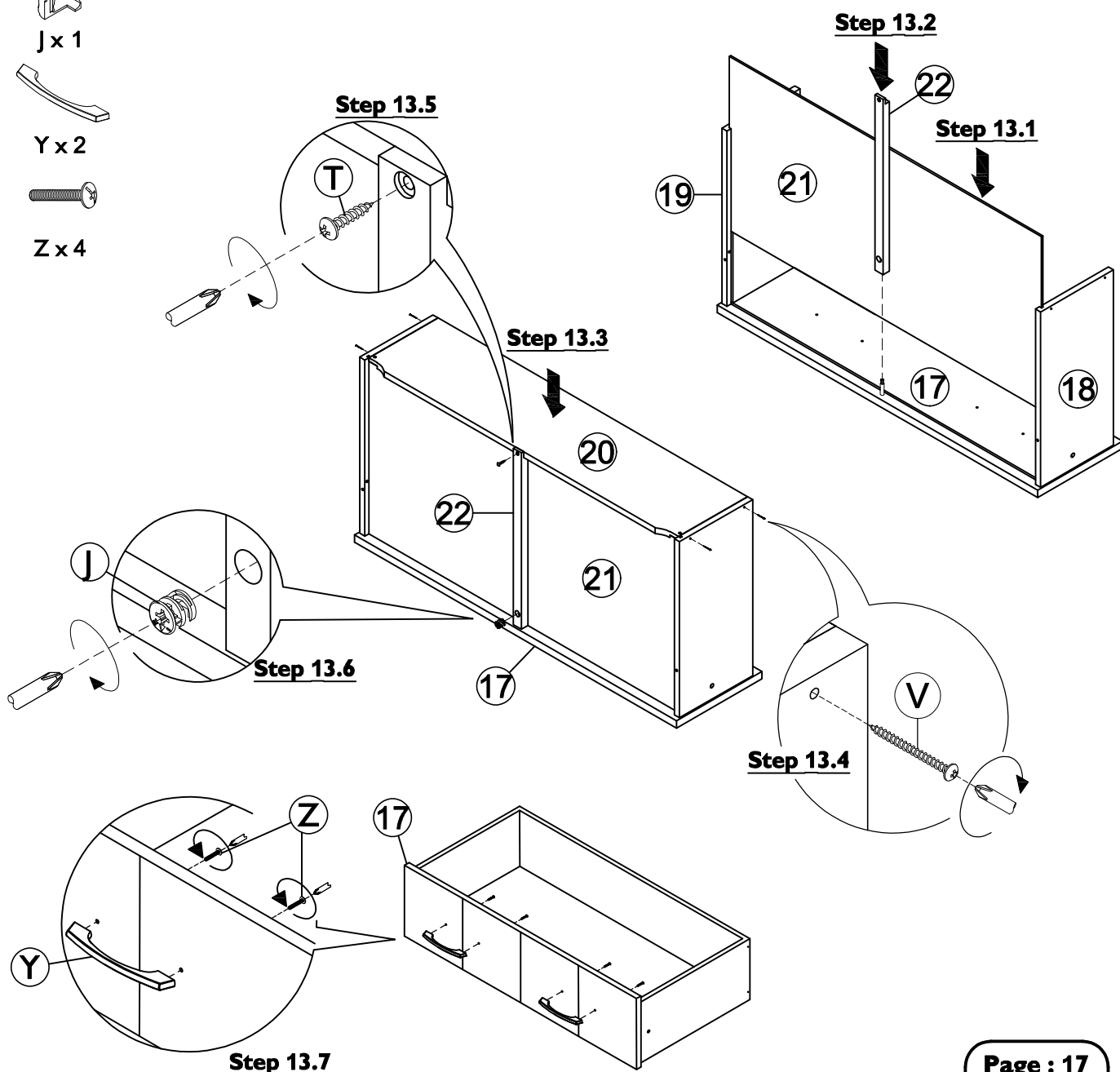
J x 1



Y x 2



Z x 4



Step by step assembly instructions

Step 14 14.1 : Attach left runner (gg) and right runner (hh) onto the pre-drilled holes on side panels (2) & (3) using 4x varianta screws (F) and 2x flat head screws (S) as shown. Use a screwdriver to turn fittings (F) & (S) clockwise to fix as shown.

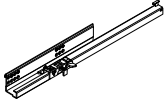
Note : The metal edges may be sharp, please use care when attaching to the drawer.

14.2 : Insert the assembled drawer in **step 13** into the unit as shown.

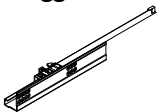
Fitting



F x 4



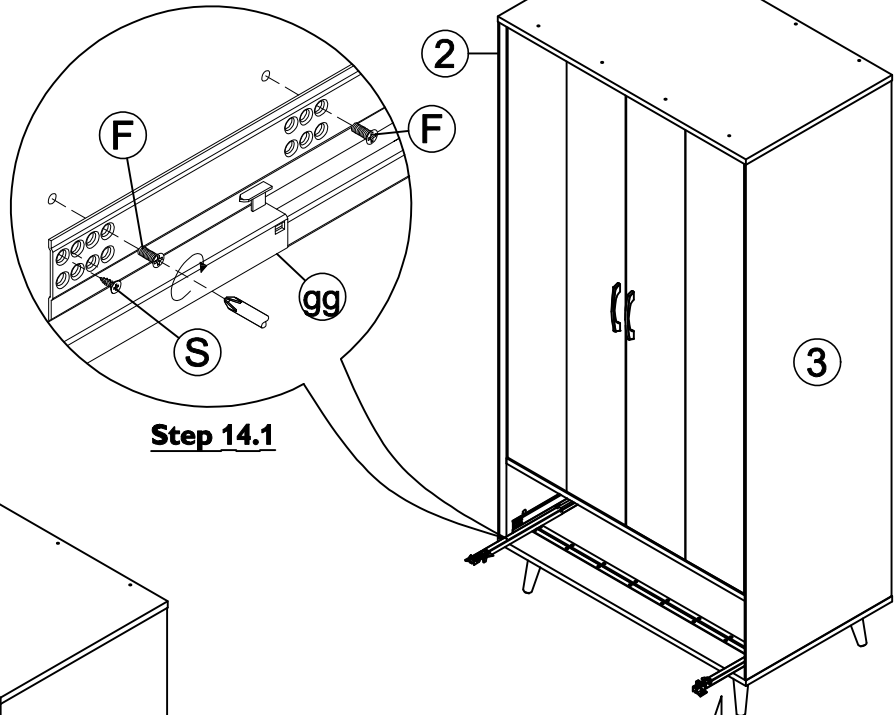
gg x 1



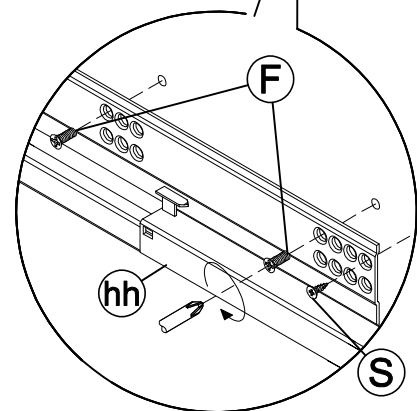
hh x 1



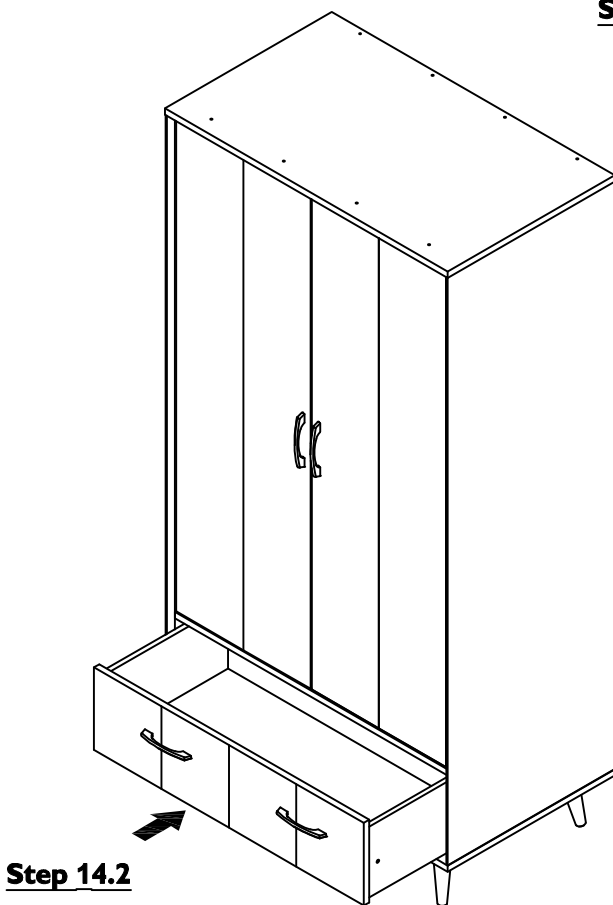
S x 2



Step 14.1



Step 14.1



Step 14.2

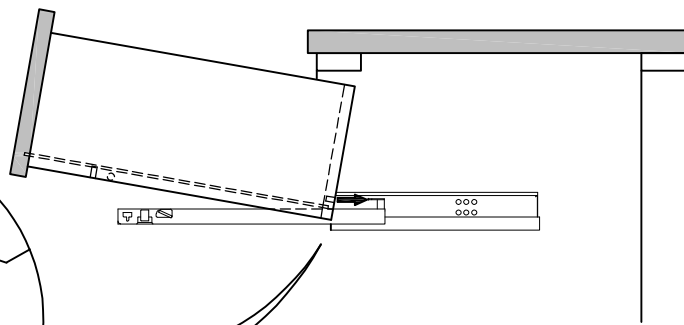
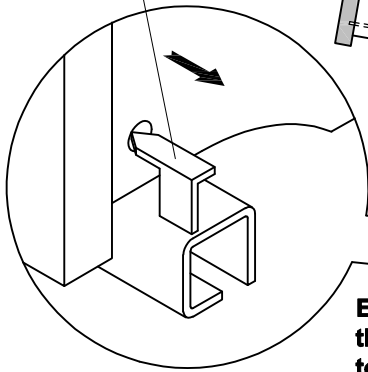
Assembly is complete.

Page : 18

TANDEM RUNNER ADJUSTMENT INSTRUCTION

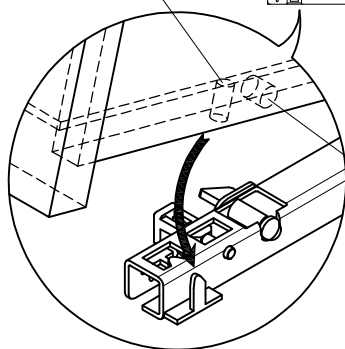
ASSEMBLE

Back hook

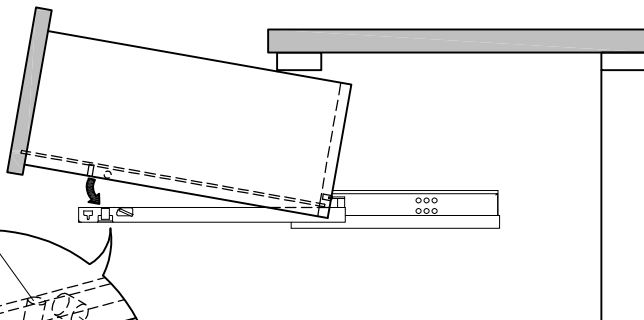


Extend the runner all the way out. Put the drawer onto them then hold both the runners with your hands, lift the drawer up with your thumbs and push to hook the drawer at the end of the runner.

Hole / Front metal pin

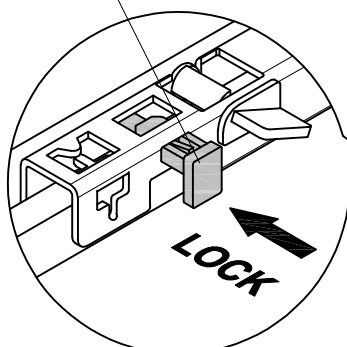


Hole / plastic peg



Once the back hook is connected gently lower the drawer onto the front metal pin.

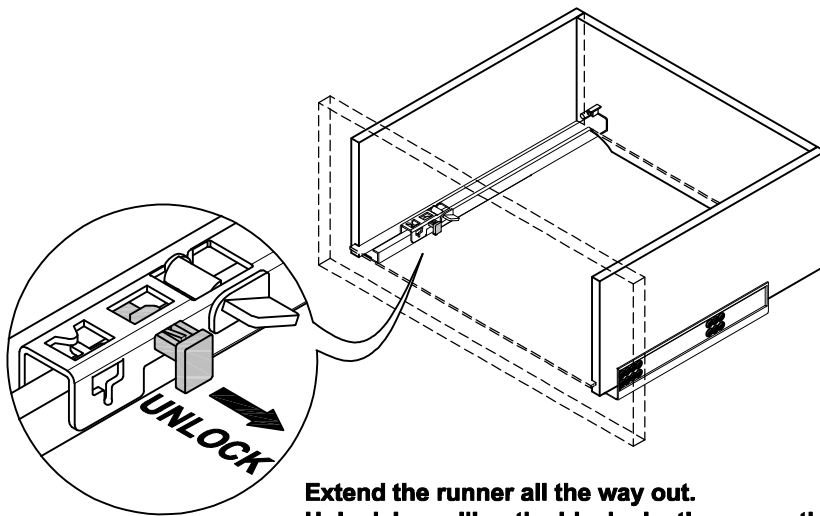
Black plastic peg



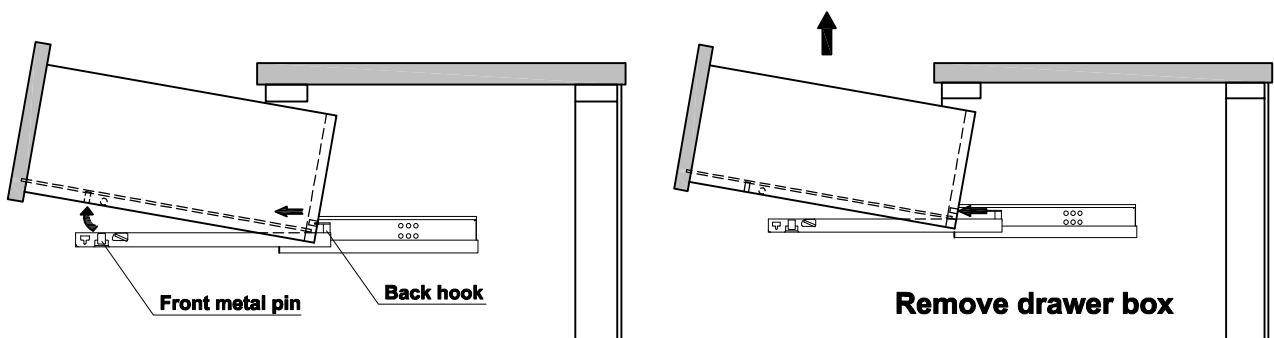
Lock it by pushing the black plastic peg on the runner in.

TANDEM RUNNER ADJUSTMENT INSTRUCTION

REMOVE

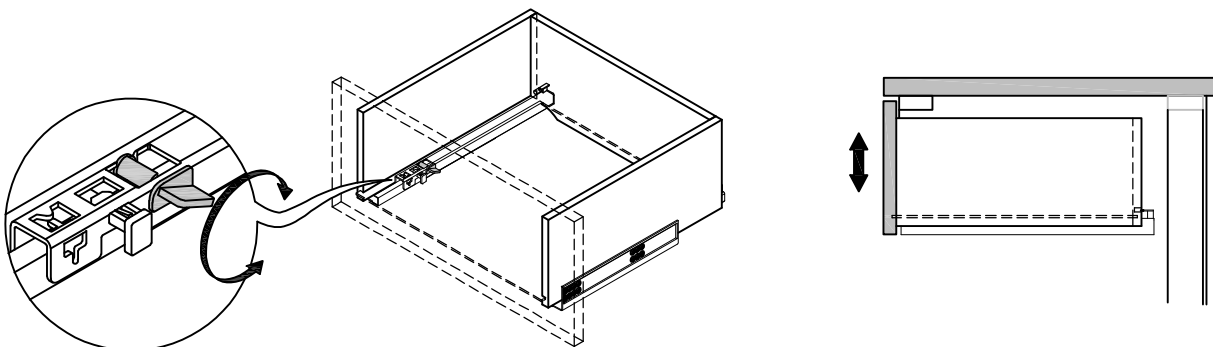


Extend the runner all the way out.
Unlock by pulling the black plastic peg on the runner out.



Hold runners with both of your hands.
Carefully lift the drawer front up from the front metal pin, then slide forward to remove from back hooks.

VERTICAL ADJUSTMENT (± 2.5 mm)



GENERAL CARE FOR FURNITURE

(Please keep these guidelines for future reference)

Furniture containing primarily wood:

Wood displays different grain patterns depending on which way they are cut - for example, the 'medullary ray' which can appear on oak furniture is a mark of good quality timber - these are just characteristics of the natural beauty of the wood. Some furniture is also deliberately aged and rustic. Wood veneers also allow distinctive patterns to be created on some surfaces, such as table tops and drawer fronts by the way slivers are arranged. All timber and veneer surfaces will change colour and mellow over time. New furniture will initially vary in shade from items that have been previously purchased.

1. Do not use abrasive cleaner or harsh detergent as this can damage the surface of the furniture

- Do not use abrasive detergents or powders. Dust with a clean, lint free cloth.
- To remove normal stains or dirt use a mild detergent or non-abrasive cleaner diluted with warm water. (Immediately dry completely with clean soft cloth).
- Frequent dusting will remove abrasive build up, which can damage a finish over time.
- Spray polishes are best avoided as they contain silicones which may spoil the furniture's surface when building up over time.

2. Do not expose your furniture to direct sunlight.

- Excessive exposure to sunlight can cause fading of your furniture.
- Ornaments placed on the furniture surface should be periodically moved to avoid shading.

Extendable table warning:

Extendable dining tables should be left extended for the first few months to avoid an uneven appearance.

3. Never place household heating appliances or hot objects directly on any furniture surface.

- Always place a heat resistant coaster between your furniture and a hot object to protect your furniture.

4. Do not place your furniture near a heater, heat, dampness or moisture generating appliance.

- Extreme temperature and humidity changes can cause cracking and splitting.
- Some movement may be expected depending on environmental conditions.
- If the air is dry, some cracks may appear due to shrinkage.
- Our furniture will endure most temperatures in the home but it is best to avoid placing furniture next to heat sources such as radiators or fires.

5. Do not place rubber, cork, vinyl or plastic materials on the wood finish as chemicals within may react with the finish if left in contact for an extended period of time.

6. Do not expose your furniture to any liquids.

- All liquids should be wiped up immediately with a soft, slightly damp cloth in the direction of the wood grain. If sticky liquid residues do occur, they may be removed with a dilute solution of warm soapy water followed by a clean, damp sponge. The area should then be wiped immediately with a clean, soft white cloth until completely dry.
- Nail polish remover, hairspray, perfume, potpourri & any other products that contains solvents can damage surface; wood & upholstery finishes.

7. Please do not strike, hit or stand on furniture.

- Furniture is designed and built for its intended purpose.
- When writing, use a mat to protect the table or desk surface.

8. When moving furniture, please lift, do not drag. Protect the surface and corners from knocks & scratches.

- Take care when handling. Obtain assistance as necessary.
- Once in place make sure it stands level to ensure smooth opening of the doors and running of the drawers.

Chair warning:

Never lean back and tilt the chair. Ensure the chair is always placed firmly on the ground.

9. Furniture containing metal.

- **NEVER** use an abrasive cleaner or scourer as this will scratch the finish - use a damp cloth with either washing up liquid or soft soap.
- For fingerprints and smears use soap and warm water. Carefully sponge with a solution of mild soap and water. Rinse thoroughly afterwards with warm water. Wipe dry with a clean soft cloth. **Cleaning with chloride-containing detergents must be avoided.**

10. Furniture containing glass.

- Do not use abrasive cleaners to clean glass surface, use a damp cloth with either washing up liquid or soft soap.
- Do not place a heavy object on the glass surface. Do not strike the glass with a sharp object.
- Do not place felt with glue, cork or plastic dots between glass & finished surface since these items can react with a finish.

11. Furniture containing High Pressure Laminate.

- This material is both durable and strong and therefore more resistant to scratches, impact, and abrasion. The surface is resistant to water.

12. Furniture containing upholstery

- The upholstery should not be exposed for long periods to direct sunlight as this may cause fading and deterioration of the cover material.
- Protect from exposure to sources of heat such as radiators or open flames.
- It is recommended to give upholstery a frequent vacuuming or light brushing.
- It is very important to rub very gently to avoid colour change. This proper cleaning will prevent build-up of dust, soil and oils which can be damaging to the cover material.
- In the event of spillage it is imperative to act quickly. Carefully soak up any excess liquid, ideally using the edge of a white paper towel, then dab gently with a fresh towel taking care to avoid soaking in or spreading of the remaining liquid.

13. Any assembly required should follow the sequence of steps in the Assembly Instruction Sheet.

- Please retain assembly instructions and hardware for future reference and use.
- Periodically check all fixings to ensure none have come loose. Re-tighten when necessary.
- Furniture can be dangerous if incorrectly assembled. Assembly should be carried out by a competent person(s). No liability will be accepted from damage or injury caused by incorrectly installed or assembled furniture.

14. If the furniture is dented or scratched at any time during use, this can usually be repaired by a qualified technician: Please contact your retailer.

WITH PROPER CARE, THIS FURNITURE WILL GIVE YOU MANY YEARS OF USE

Page : 21