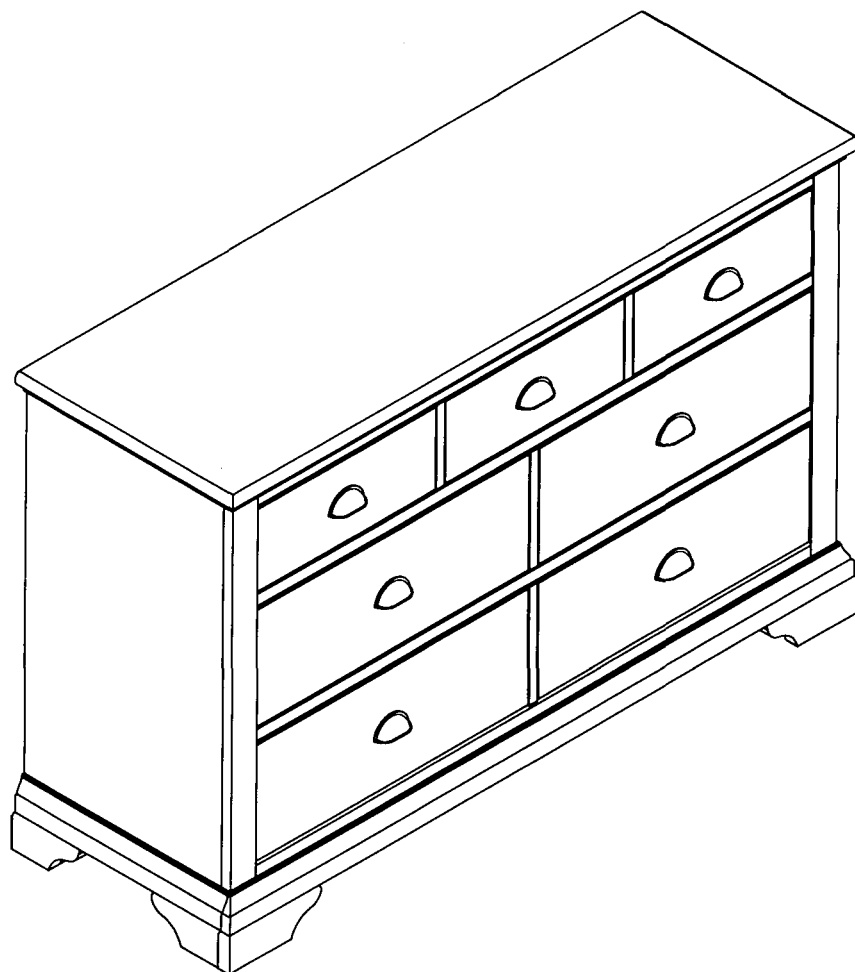


HAMPSTEAD 3+4 DRAWER CHEST

Stock number: 800X-92

Thank you for purchasing this product. Please read the instructions carefully before use to ensure safe and satisfactory operation of this product.



Care and Maintenance

Wood Furniture

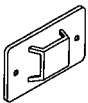


Wood displays different grain patterns depending on which way they are cut - for example, the 'medullary ray' which can appear on oak furniture is a mark of good quality timber - these are just characteristics of the natural beauty of the wood.

Some furniture is also deliberately aged and rustic.

Wood veneers also allow distinctive patterns to be created on some surfaces, such as table tops and drawer fronts by the way slivers are arranged.

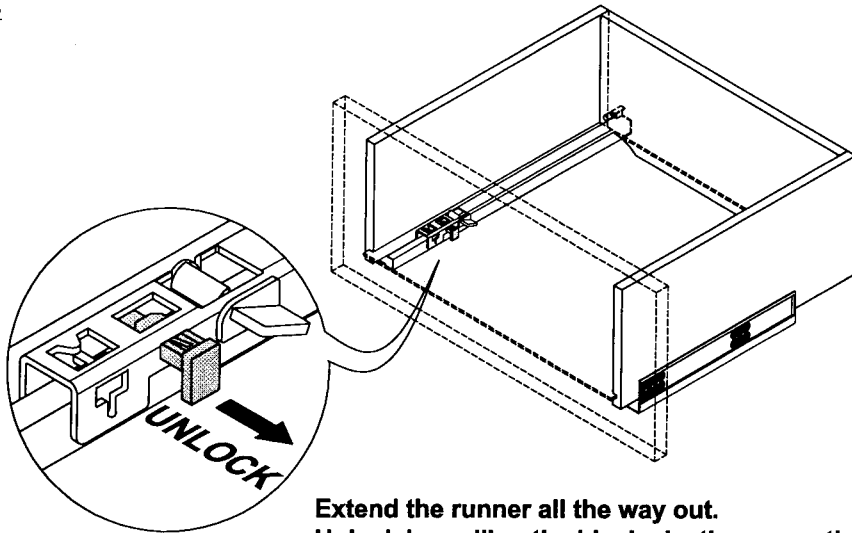
All timber and veneer surfaces will change colour and mellow over time. New furniture will initially vary in shade from items that have been previously purchased.

Fittings and parts checklist

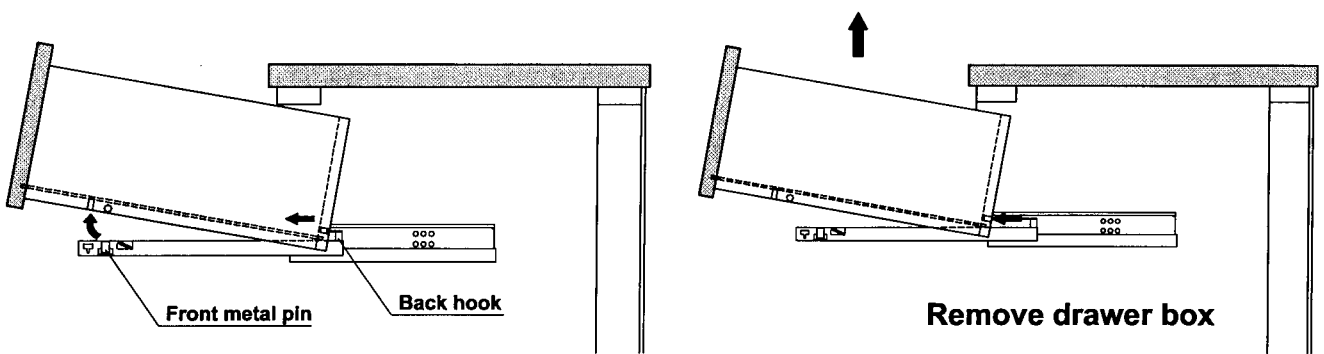
Item	Description	Qty.	Item	Description	Qty.
A	Mounting plate 	x 2	C	Flat head screw Ø4 x 15mm 	x 2
B	Nylon strap 	x 1			

TANDEM RUNNER ADJUSTMENT INSTRUCTION

REMOVE

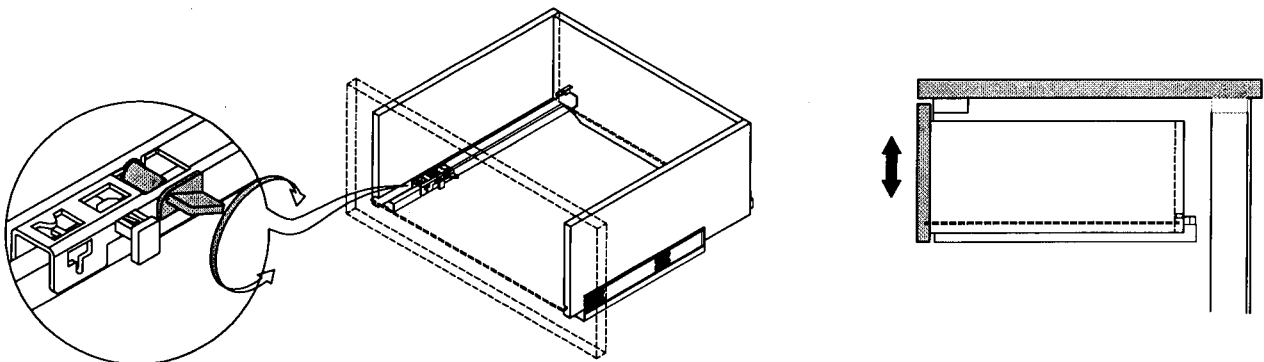


Extend the runner all the way out.
Unlock by pulling the black plastic peg on the runner out.



Hold runners with both of your hands.
Carefully lift the drawer front up from the front metal pin, then slide forward to remove from back hooks.

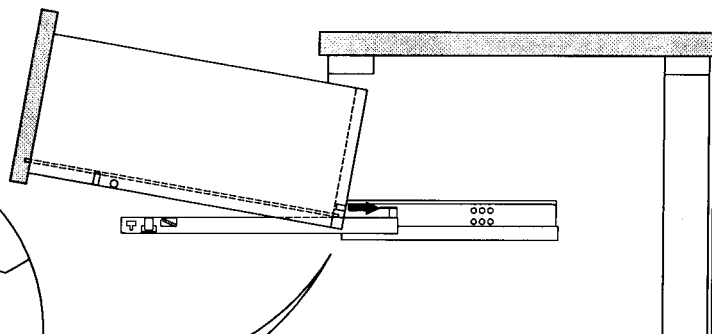
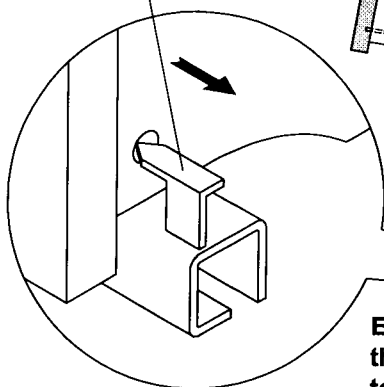
VERTICAL ADJUSTMENT (± 2.5 mm)



TANDEM RUNNER ADJUSTMENT INSTRUCTION

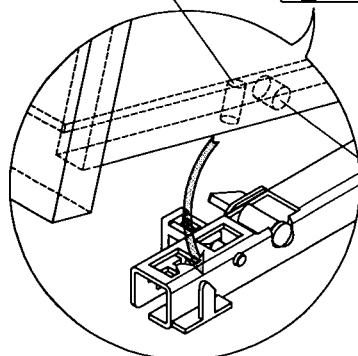
ASSEMBLE

Back hook

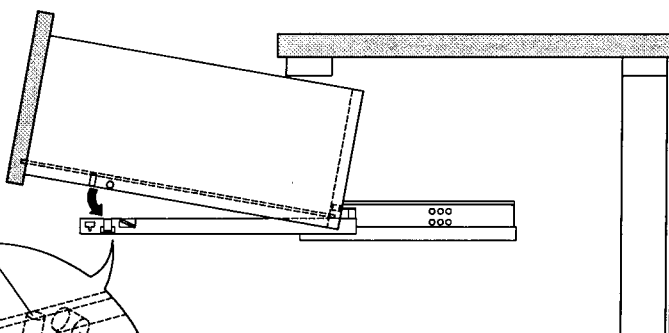


Extend the runner all the way out. Put the drawer onto them then hold both the runners with your hands, lift the drawer up with your thumbs and push to hook the drawer at the end of the runner.

Hole / Front metal pin

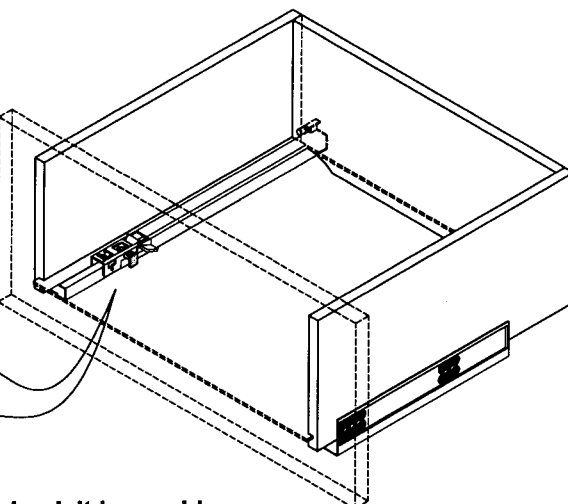
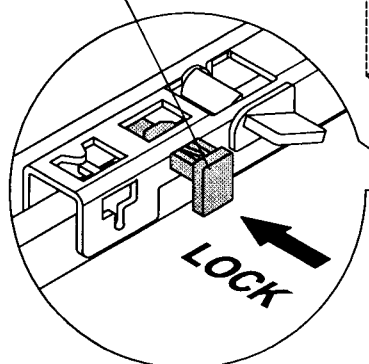


Hole / plastic peg



Once the back hook is connected gently lower the drawer onto the front metal pin.

Black plastic peg



Lock it by pushing the black plastic peg on the runner in.

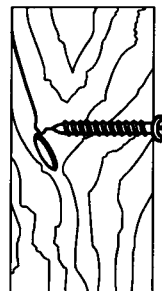
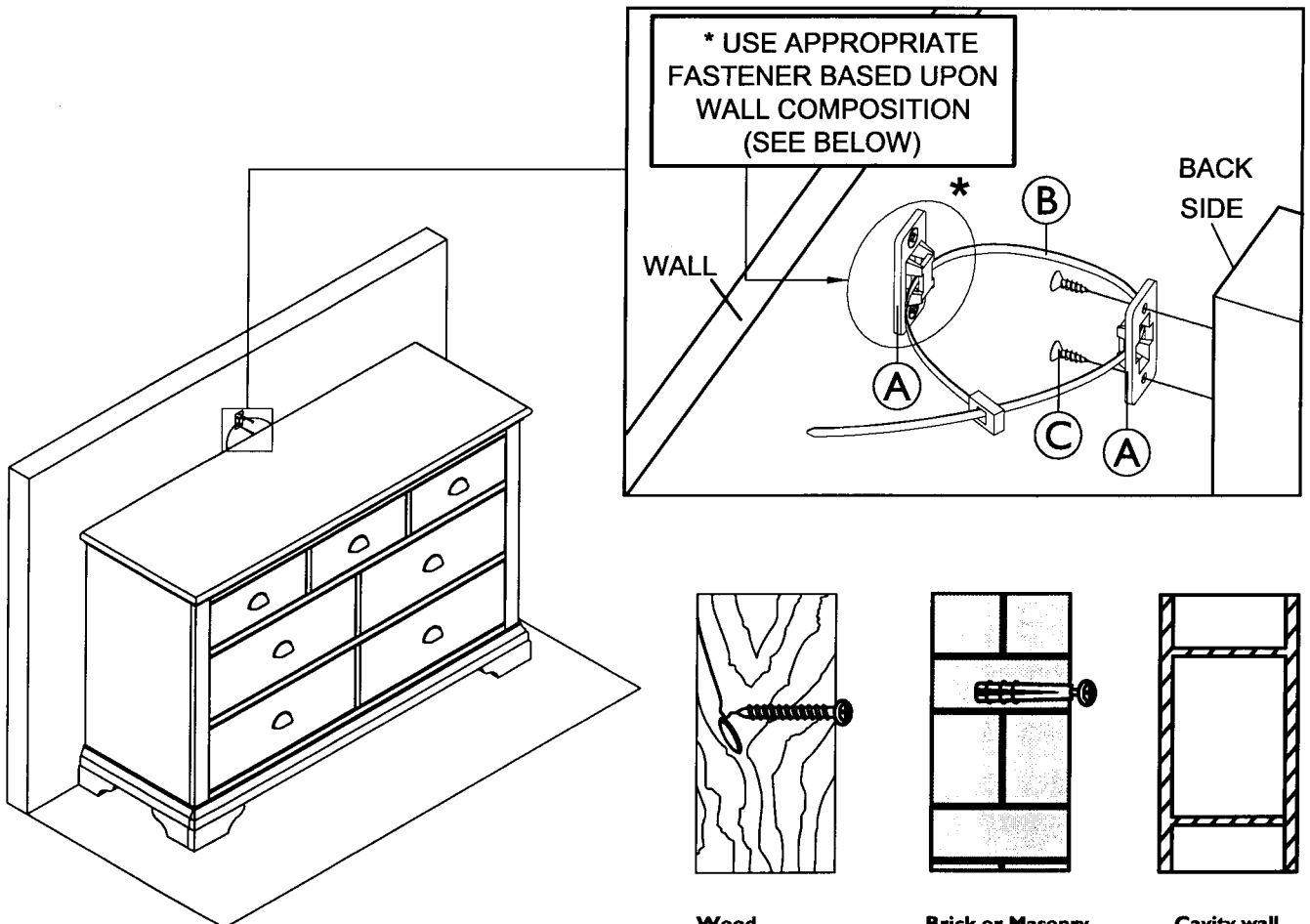
TIP KIT INSTRUCTIONS

Notice:

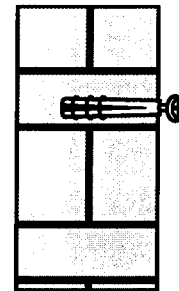
Notice: To prevent injury and property damage from unexpected tipping of furniture, we highly recommend installation of the anti-tip kit included with this product.

Attaching furniture to wall with anti-tip kits

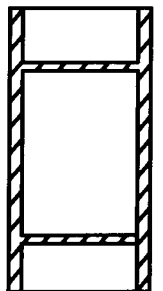
1. Determine where the piece is to be placed and mark location on the wall for the mounting bracket screw holes. They should be placed approximately 1" below the top on the back of the piece of furniture.
2. Drill the hole and use the appropriate wall plug that is suitable for your walls composition.
Warning: Before drilling check wall for hidden pipes and cables.
3. Attach the mounting bracket vertically to the wall using appropriate fastener, through the holes in the bracket and 2 wall plugs that are suitable to your wall and then tighten securely.
4. Next using the short screws attach the 2nd bracket to the back of the piece of furniture's top.
5. Lace the nylon strap down through the brackets. Slide the thin end of the strap through the receiving end on the nylon strap. Pull to tighten the piece of furniture snug against wall.



Wood
If fixing to wood make sure that it isn't chipboard as screws can easily pull away from the core structure



Brick or Masonry
Use an appropriate wall plug provided you are sure your wall is sound.



Cavity wall
Special toggle wall plugs are needed. Seek expert advice

CARE INSTRUCTIONS:

1. Hardware may loosen overtime. Periodically check that all connections are tight and re-tighten as necessary.
2. Wipe with a soft, dry cloth. To protect finish, avoid the use of chemicals and household cleaners.

How to care for your wood furniture

Dust with a clean, damp, lint free cloth. Frequent dusting will remove abrasive build up, which can damage the finish over time.

Do not use a very wet cloth or allow any liquid to contact with the veneers for a long period of time as this can permanently damage the surface. Wipe up spills immediately.

Do not use any abrasive cleaner or harsh detergent as this can damage the surface of the furniture.

Spray polishes are best avoided as they contain silicones which may spoil the furniture's surface when building up over time.

Make sure all surfaces are protected from heat and liquids by mats and coasters.

Ensure that a mat or pad is placed under paper when you are writing on the furniture surface.

Do not place rubber, cork, vinyl or plastic materials on the wood finish as chemicals within may react with the finish if left in contact for an extended period of time.

Our furniture will endure most temperatures in the home but it is best to avoid placing furniture next to heat sources such as radiators or fires. Be particularly careful with solid wood as the lack of humidity caused by home heating can cause damage such as warping, cracking or splitting.

Excessive exposure to sunlight can cause fading of your furniture.

Avoid exposing your furniture to any liquids. All liquids should be wiped up immediately with a soft, slightly damp cloth in the direction of the wood grain. If sticky liquid residues do occur, they may be removed with a dilute solution of warm soapy water followed by a clean, damp sponge. The area should then be wiped immediately in the direction of the wood grain with a clean, soft white cloth until completely dry.

Nail polish remover, hairspray, perfume, potpourri & any other products that contains solvents can damage wood upholstery finishes.

Safety Instructions:

Never drag furniture when moving it. Always lift it.

Periodically check all fixings to ensure none have come loose. Re-tighten when necessary.

Please take care when handling or moving the furniture as careless handling may cause damage or injury.

Furniture can be dangerous if incorrectly assembled. Assembly should be carried out by a competent person.

No liability will be accepted for damage or injury caused by incorrectly installed or assembled furniture.

Heavy item warning:

It is recommended to seek assistance when moving a heavy object. Take care when lifting to avoid personal injury and (or) damage to the product.

It is recommended that before moving a heavy object to a new location it is completely dis-assembled to avoid personal injury or damage to the furniture. Please be careful to retain all fittings when doing this.

PLEASE KEEP THESE INSTRUCTIONS FOR FUTURE REFERENCE