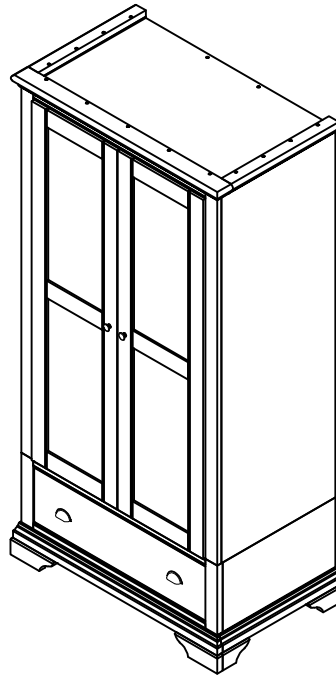


DOUBLE WARDROBE

Stock number: 800X-82

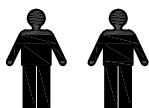
Thank you for purchasing this product. Please read the instructions carefully before use to ensure safe and satisfactory operation of this product.



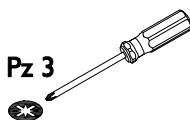
Pre-assembly preparation

Please ensure instructions are read in full before attempting to assemble this product.

Necessary Tools : Pozi screwdriver and Phillips screwdriver



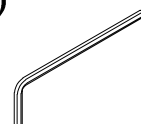
Pz 2 or Pz 3



Ph 2



(Included)



Please check the pack contents before attempting to assemble this product. A full checklist of components is given in this leaflet. If any components are missing, please contact the retailer from whom you bought this product.

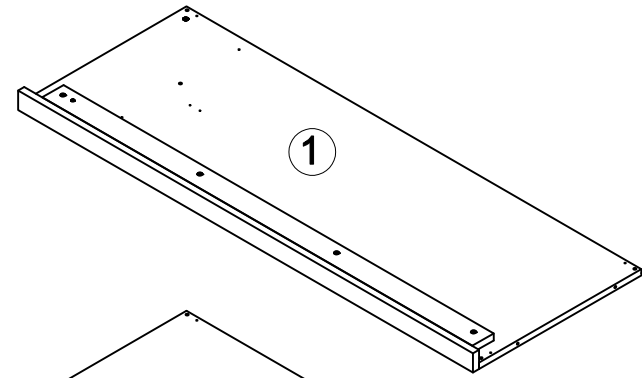
This product takes approximately **60 MINUTES** to assemble with **2 PEOPLE**.

All assembly should be performed on a flat, stable, clean and soft surface.

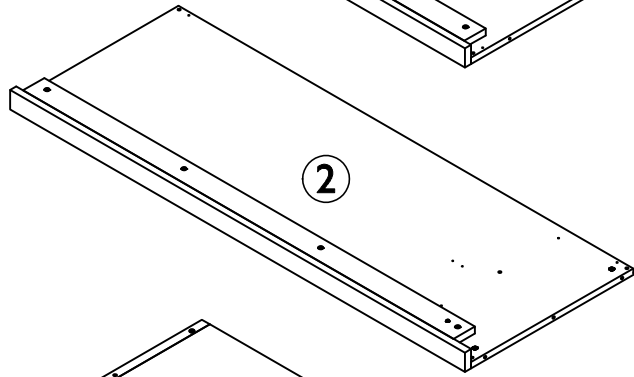
This product is **HEAVY**, it should be assembled as near as possible to the point of use. **TAKE CARE WHEN LIFTING** to avoid personal injury and (or) damage to the product

The fitting pack contains **SMALL ITEMS** which should be **KEPT AWAY FROM YOUNG CHILDREN**.

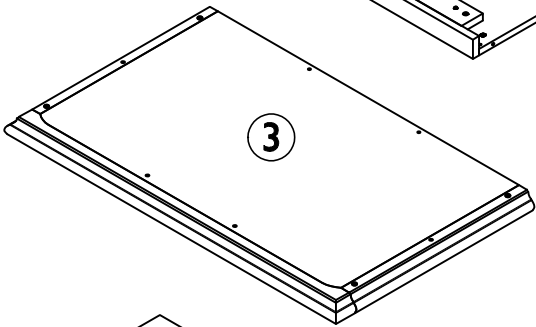
IMPORTANT: Retain these instructions for future reference.



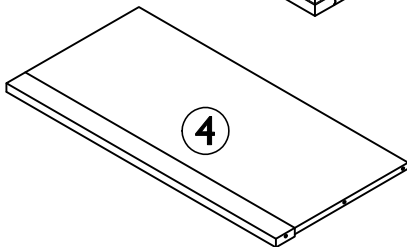
1



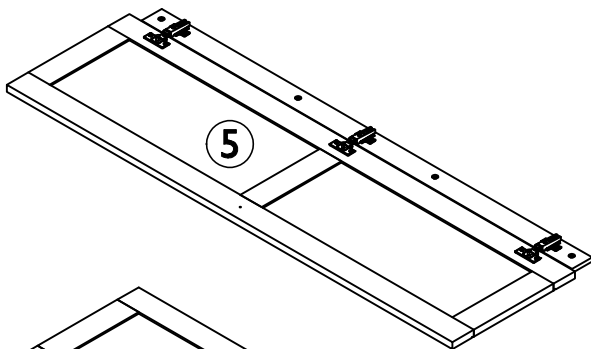
2



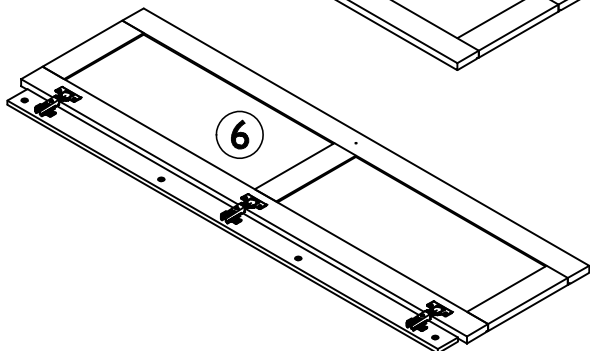
3



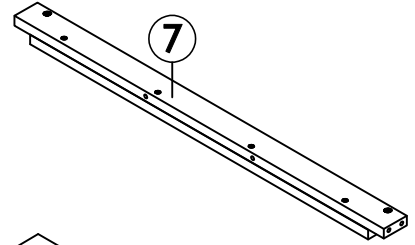
4



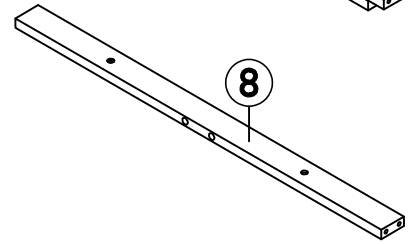
5



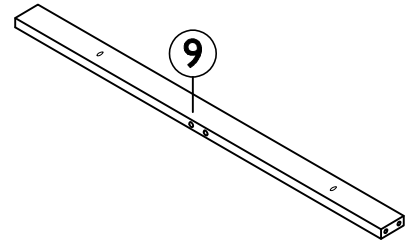
6



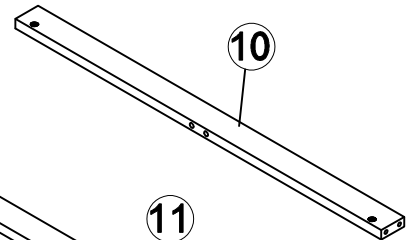
7



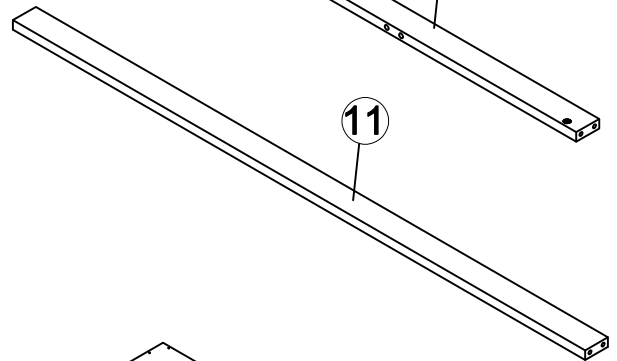
8



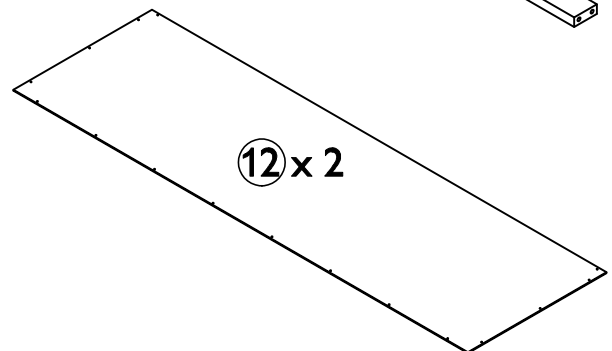
9



10

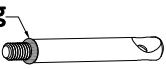
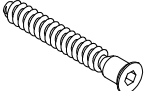


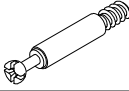
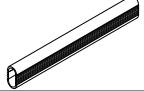

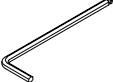
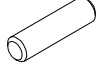


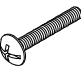


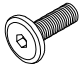

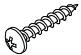



11



12 x 2

Fittings and parts checklist Double Wardrobe Top

Item	Description	Qty.	Item	Description	Qty.
1	Left side panel	x 1	7	Top front rail	x 1
2	Right side panel	x 1	8	Bottom front rail	x 1
3	Top panel	x 1	9	Bottom back rail	x 1
4	Fixed shelf	x 1	10	Top back rail	x 1
5	Left door	x 1	11	Vertical rail	x 1
6	Right door	x 1	12	Back panel	x 2
A	Steel dowel  O'ring	x 4	L	Hex head bolt  Ø7x38mm	x 2
B	Grub screw 	x 4	M	Round head screw  Ø3.5x18mm	x 36
C	Cam screw 	x 12	N	Hanger rail 	x 1
D	Cam lock (18/19 mm panel) 	x 10	Q	Allen key 	x 1
E	Dowel Ø8x30mm 	x 14	R	Handle 	x 2
F	Hanger rail support 	x 2	S	Round head bolt  M4x30mm	x 2
G	Varianta screw Ø4.2x10.5mm 	x 4	T	Flat washer Ø5x12x1mm 	x 4
H	Hex head bolt M6x20mm 	x 8	V	Dowel Ø6x30mm 	x 4
K	Round head screw Ø4x25mm 	x 4	Y	Cam lock (15/16 mm panel) 	x 2

Step By Step Assembly Instructions

Step

1

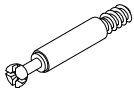
1.1 : Lay all parts on a flat, stable, clean and soft surface.

1.2 : Attach 6x cam screws (C) into the pre-drilled holes on left side panel (1) as shown. Use a pozi screwdriver to turn fittings (C) clockwise to fix.

1.3 : Insert 1x dowel (V) into the pre-drilled hole on left side panel (1) as shown.

1.4 : Attach 1x hanger rail support (F) onto left side panel (1) using 2x varianta screws (G) as shown. Use a screwdriver to turn fittings (G) clockwise to fix.

Fitting



C x 6



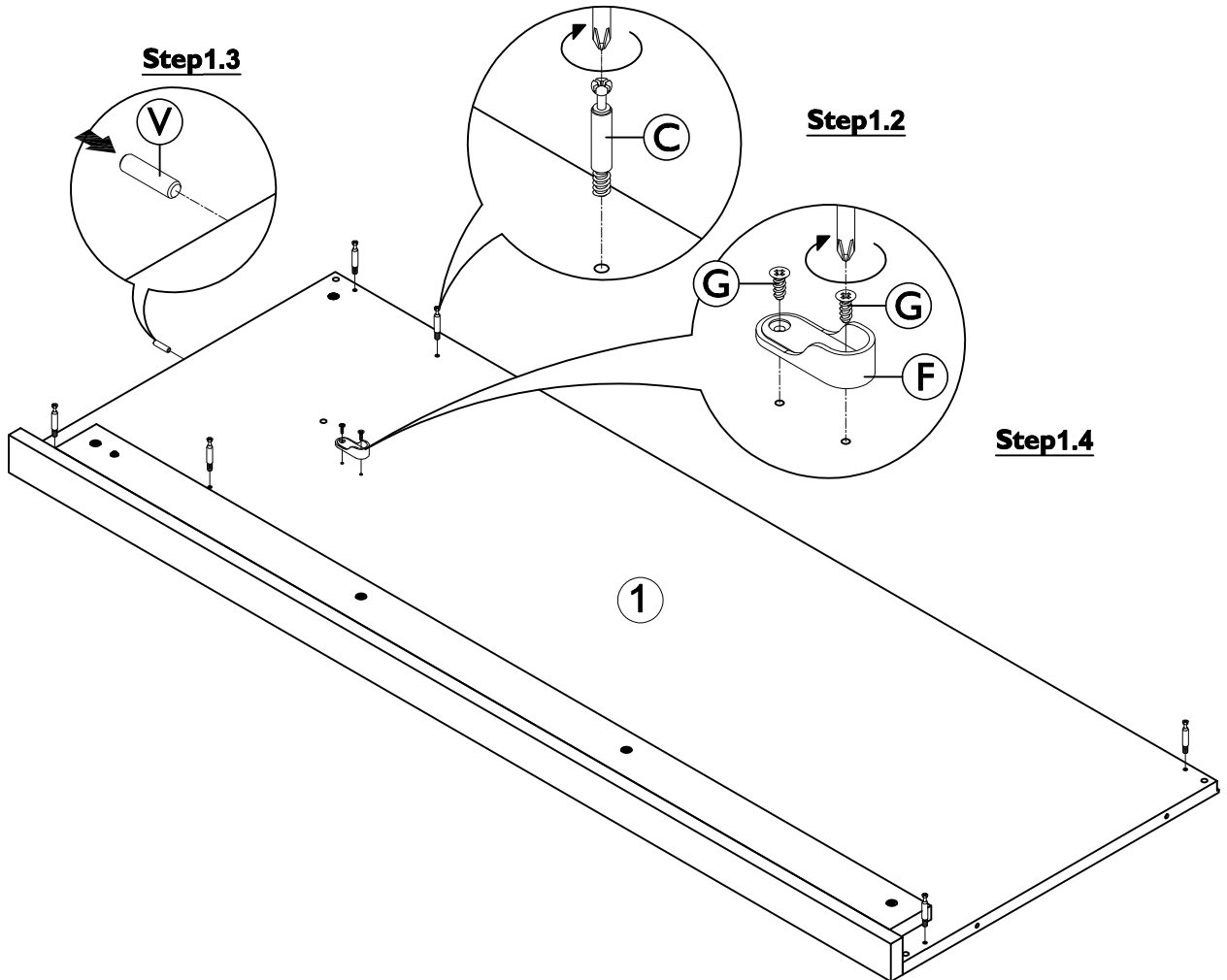
V x 1



F x 1



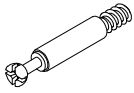
G x 2



Step By Step Assembly Instructions

- Step 2**
- 2.1 : Attach 6x cam screws (C) into the pre-drilled holes on right side panel (2) as shown. Use a pozi screwdriver to turn fittings (C) clockwise to fix.
- 2.2 : Insert 1x dowel (V) into the pre-drilled hole on right side panel (2) as shown.
- 2.3 : Attach 1x hanger rail support (F) onto right side panel (2) using 2x varianta screws (G) as shown. Use a screwdriver to turn fittings (G) clockwise to fix.

Fitting



C x 6



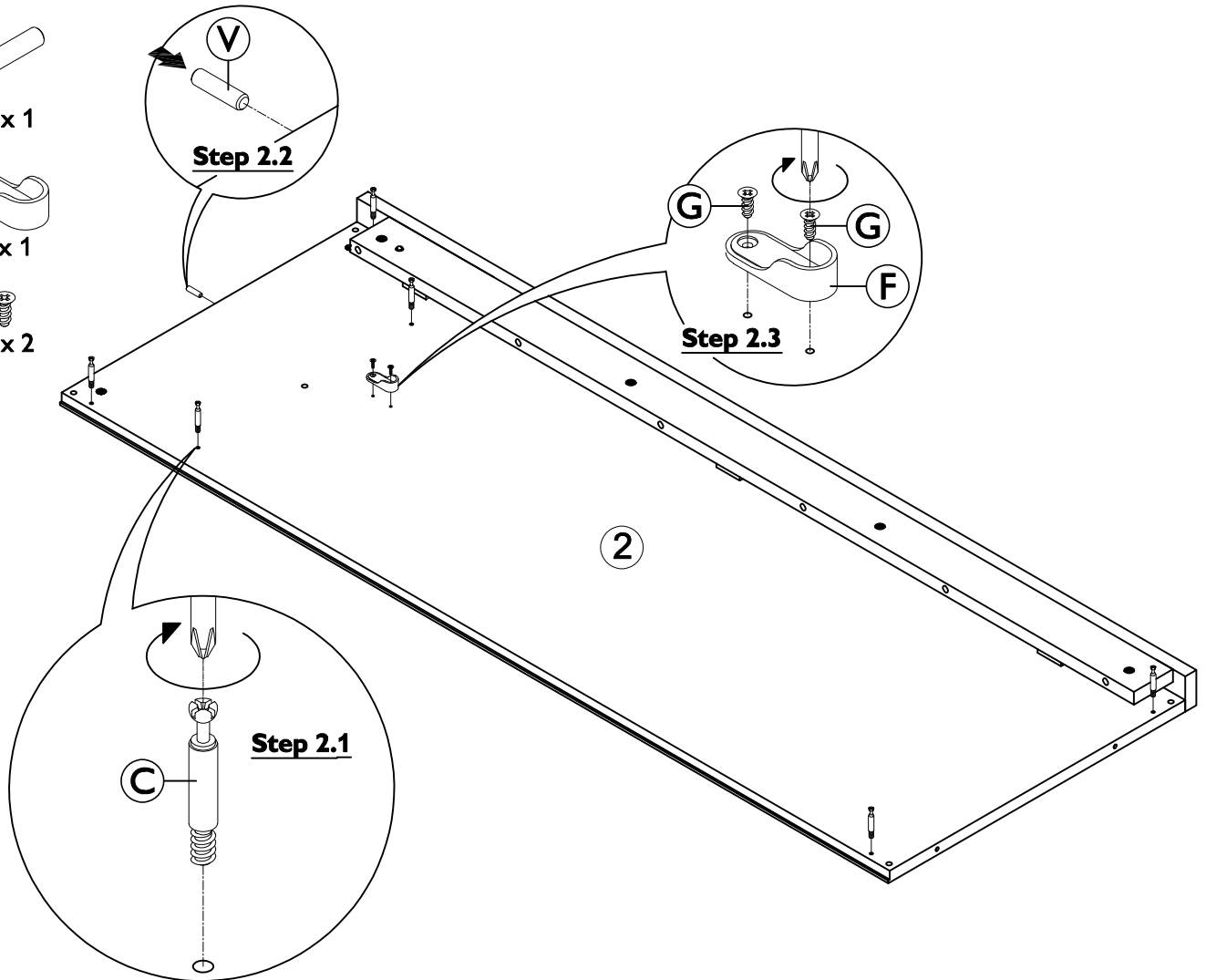
V x 1



F x 1



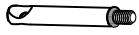
G x 2



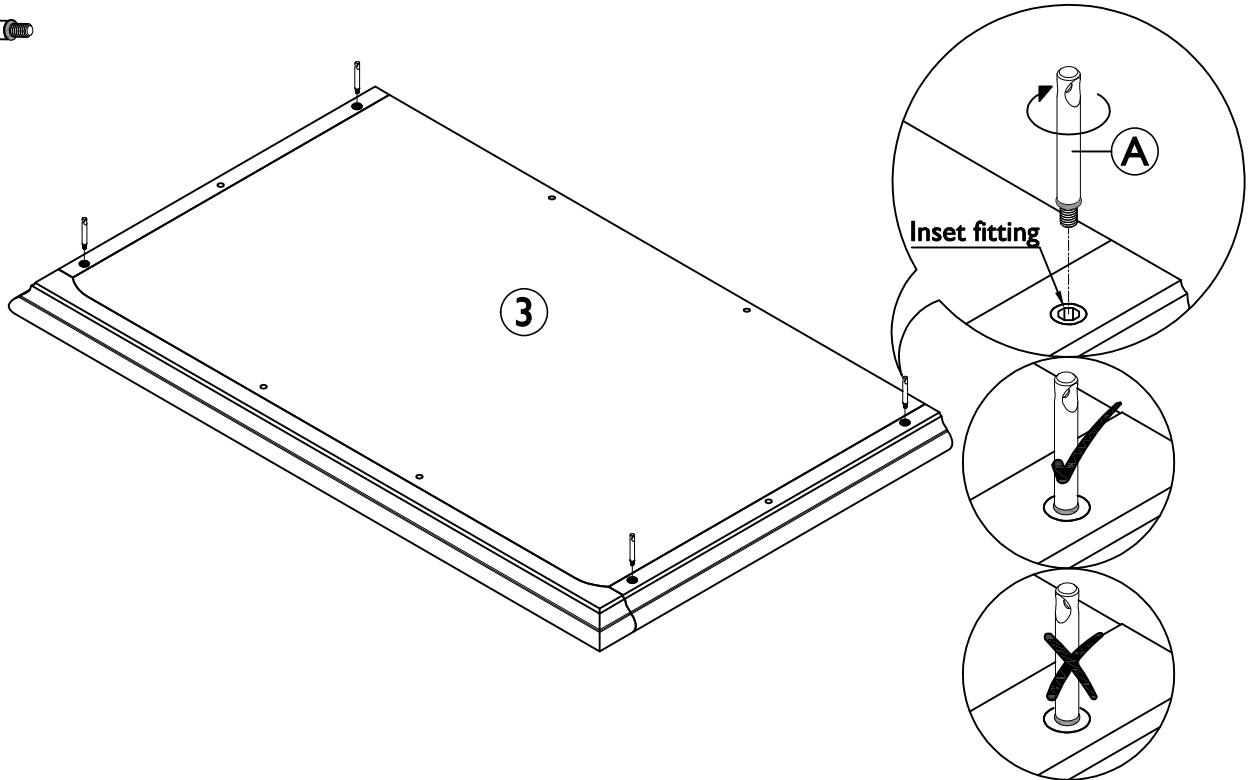
Step By Step Assembly Instructions

Step 3 Attach 4x steel dowels (A) into top panel (3) by screwing fittings (A) into the inset fittings that are located inside part (3) as shown. Ensure the direction of the holes on fittings (A) are facing correctly as per diagram.

Fitting



A x 4

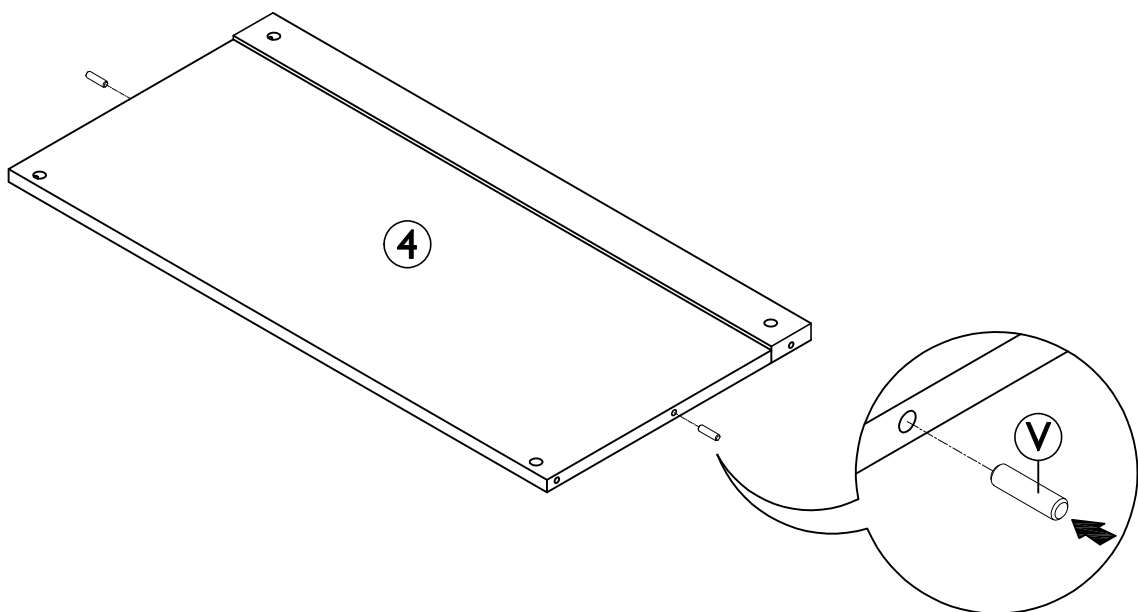


Step 4 : Insert 2x dowels (V) into the pre-drilled holes on fixed shelf (4) as shown.

Fitting

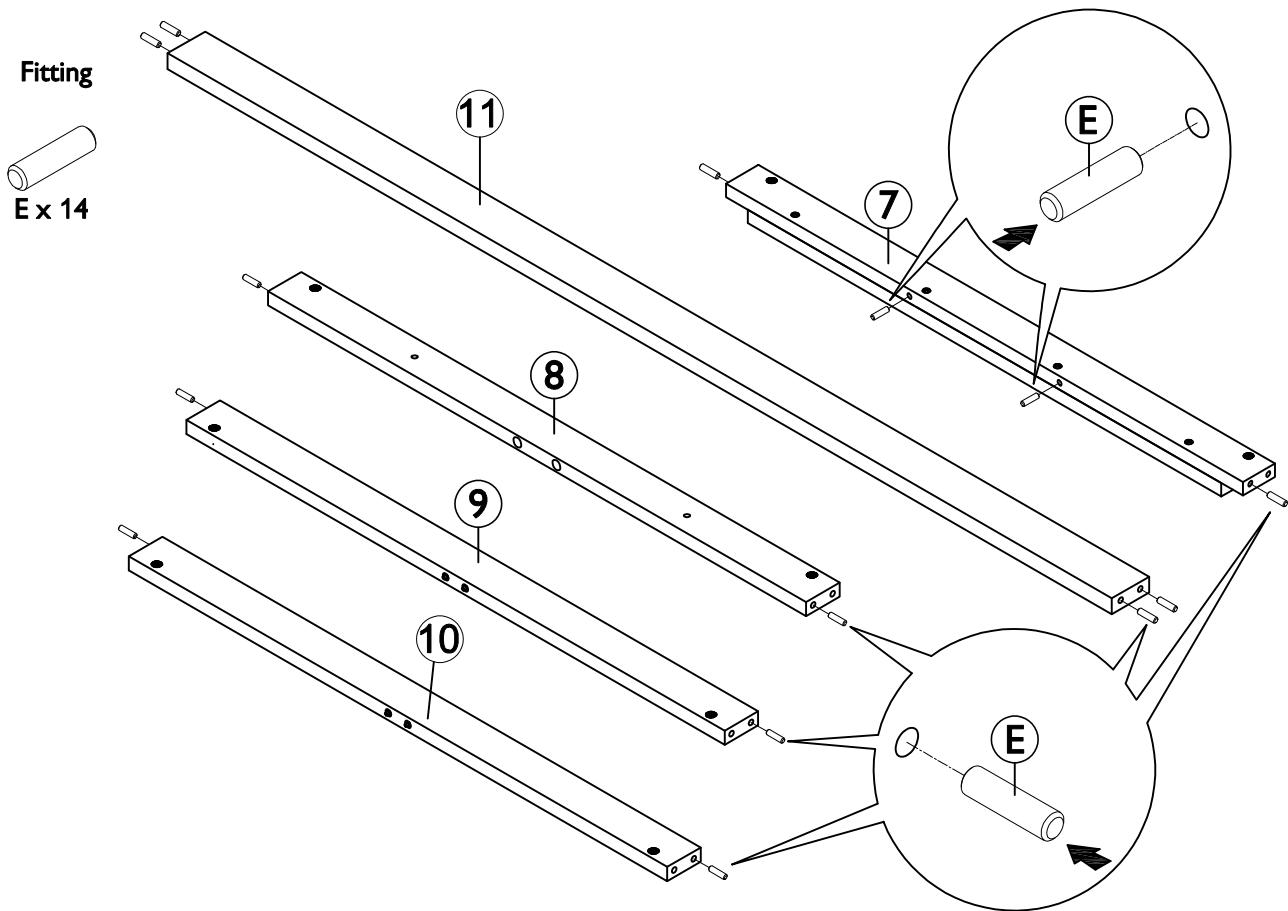


V x 2

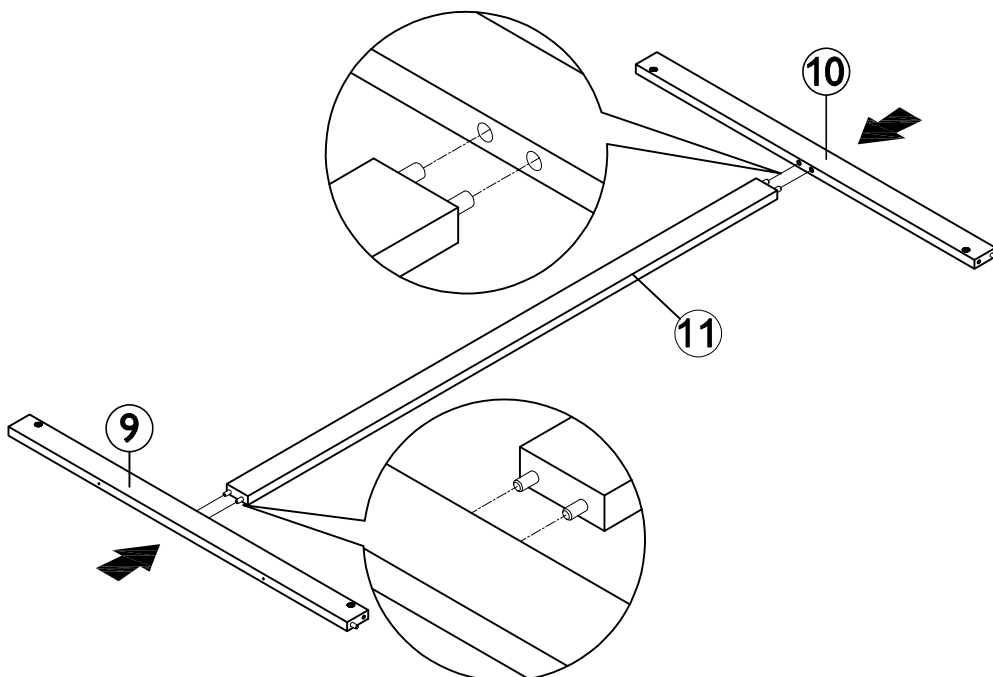


Step By Step Assembly Instructions

Step 5 : Insert 14x dowels (E) into the pre-drilled holes on rails (7), (8), (9), (10) & (11) as shown.



Step 6 : Attach rails (9), (10) onto vertical rail (11) as shown. Ensure wooden dowels are aligned correctly with the holes of mating parts before attaching.



Step By Step Assembly Instructions

Step 7 7.1 : Attach fixed shelf (4), rails (7), (8), (9) and (10) onto left side panel (1) as shown. Ensure cam screws (C), dowels (E) and dowel (V) are aligned correctly with the holes of mating parts before attaching.

Fitting

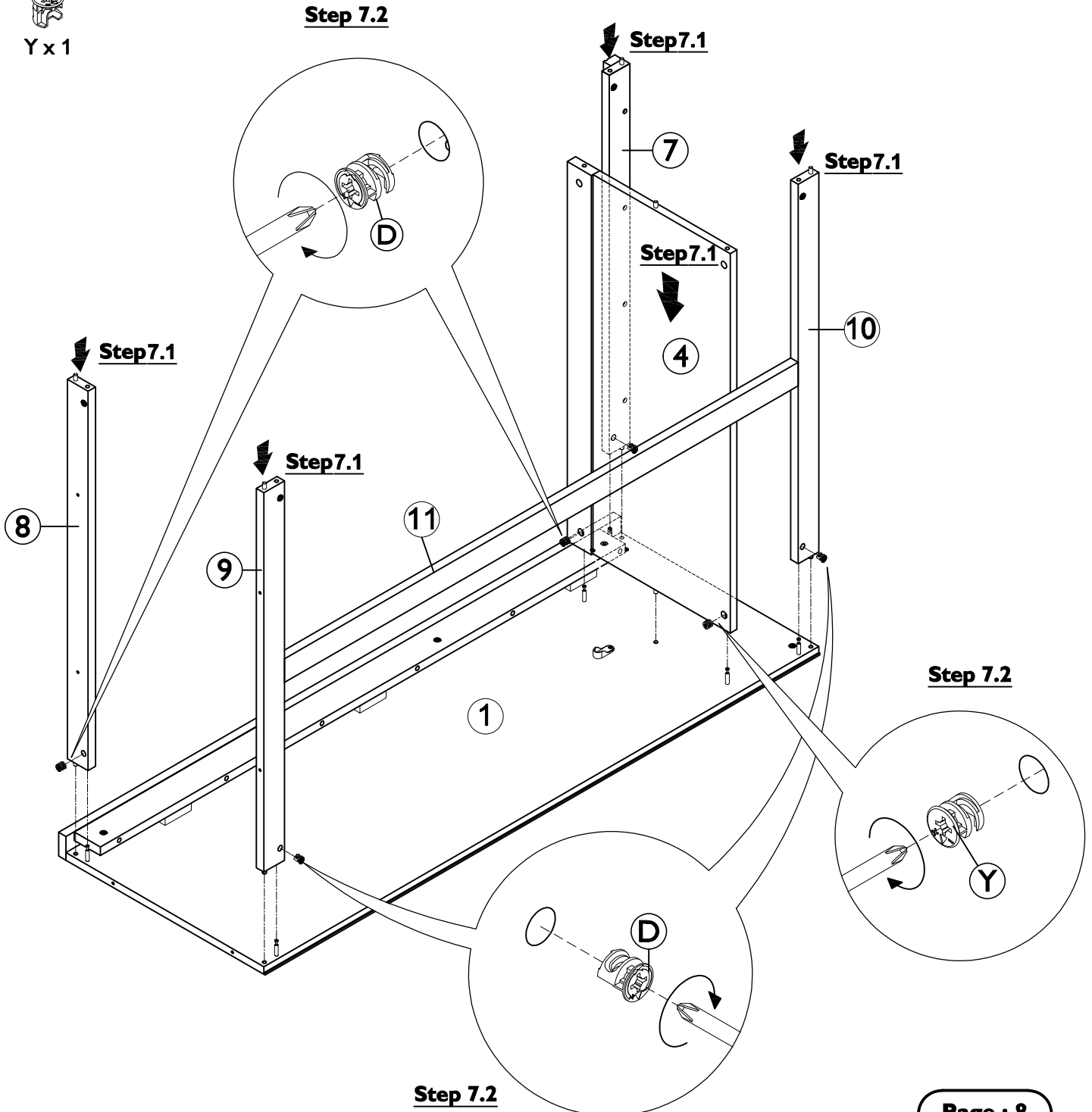


D x 5



Y x 1

7.2 : Secure all parts (7), (8), (9) and (10) to part (1) using 5x cam locks (D) and part (4) to part (1) using 1x cam lock (Y) as shown. Use a pozi screwdriver to turn fittings (D) and (Y) clockwise to fix.



Step By Step Assembly Instructions

- Step 8** 8.1 : Attach right side panel (2) onto the structure assembled in **Step 7** as shown. Ensure cam screws (C), dowel (E) and dowel (V) are aligned correctly with the holes of mating parts before attaching.
- 8.2 : Secure part (2) to all parts (7), (8), (9) and (10) using 5x cam locks (D) and part (4) using 1x cam lock (Y) as shown. Use a pozi screwdriver to turn fittings (D) and (Y) clockwise to fix.

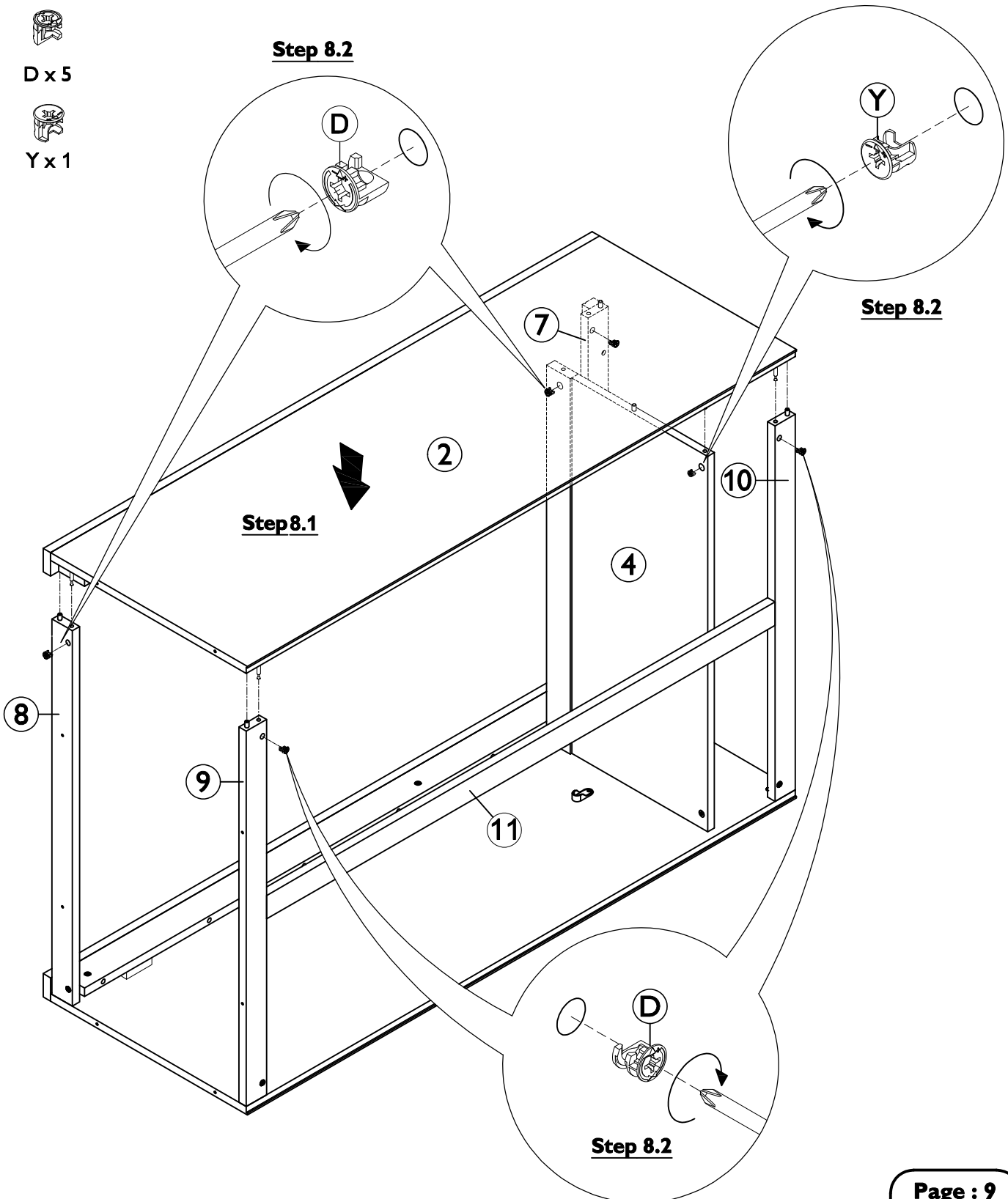
Fitting



D x 5



Y x 1



Step By Step Assembly Instructions

Step 9

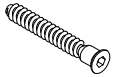
9.1 : Attach top panel (3) onto the structure assembled in **Step 8** as shown. Ensure steel dowels (A), dowels (E) and dowels (V) are aligned correctly with the holes of mating parts before attaching.

9.2 : Secure part (3) to parts (1) & (2) using 4x grub screws (B) and part (10) using 2x hex head bolts (L) as shown. Use a pozi screwdriver to turn fittings (B) and allen key (Q) to turn fittings (L) clockwise to fix.

Fitting



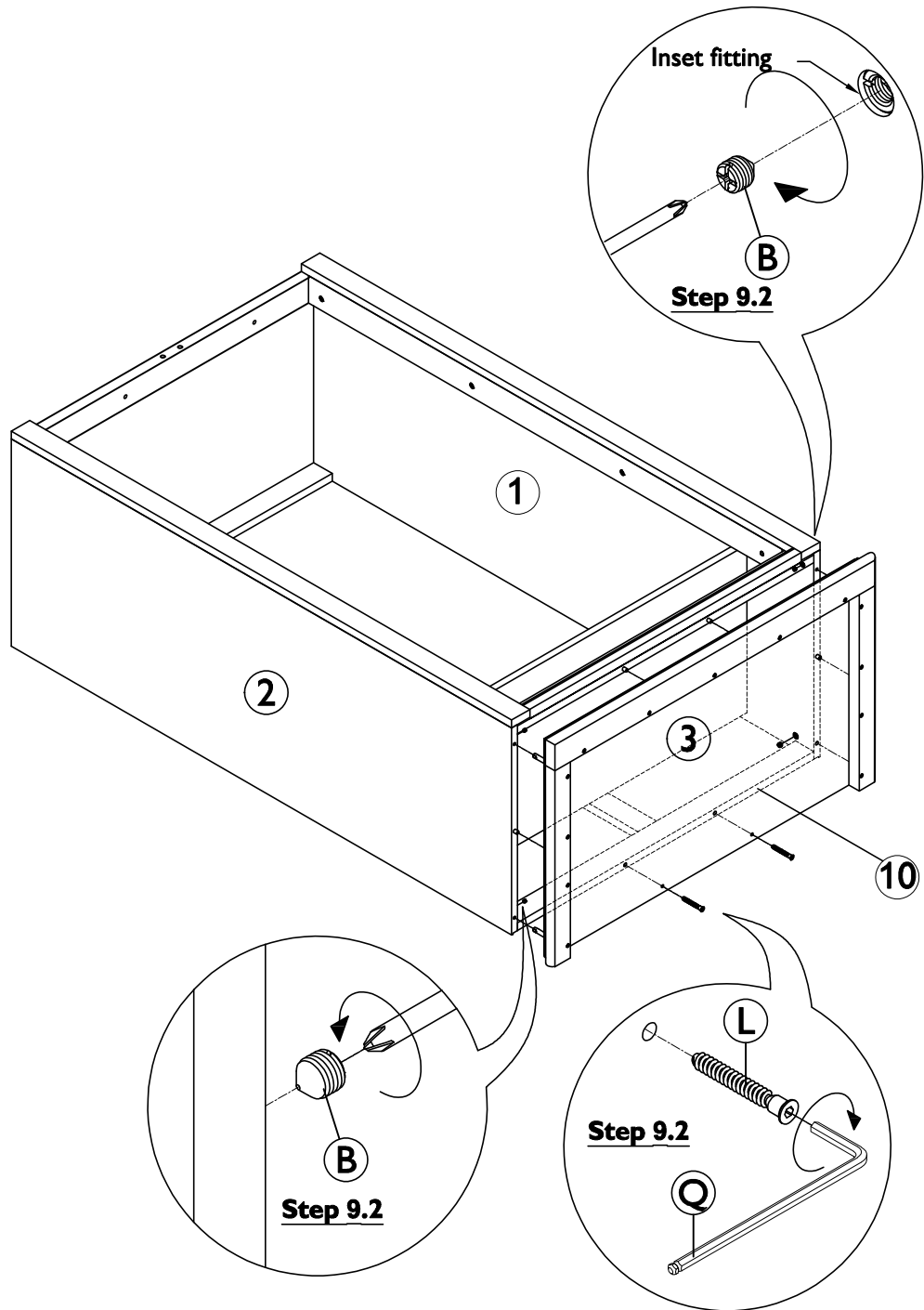
B x 4



L x 2



Q x 1



Step By Step Assembly Instructions

- Step 10** 10.1 : With help of assistant, carefully stand the unit upright so the back side of the unit is facing as shown.
- 10.2 : Attach back panels (12) along outer edges onto back side of the unit using 32x round head screws (M) as shown. Use a screwdriver to turn fittings (M) clockwise to fix.
- 10.3 : Secure vertical gap using 4x round head screws (M) with 4x flat washers (T) as shown. Use a screwdriver to turn fittings (M) clockwise to fix.

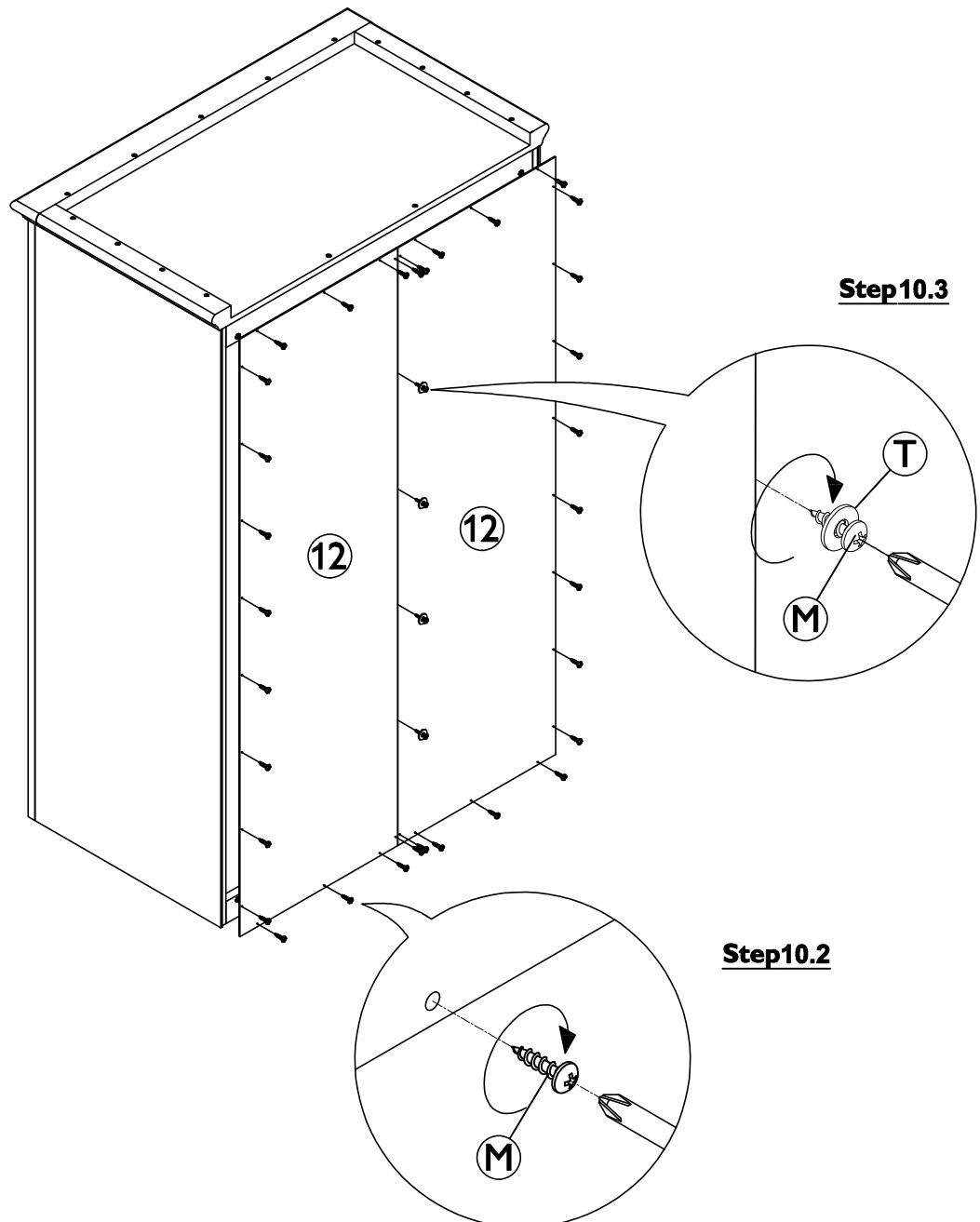
Fitting



M x 36

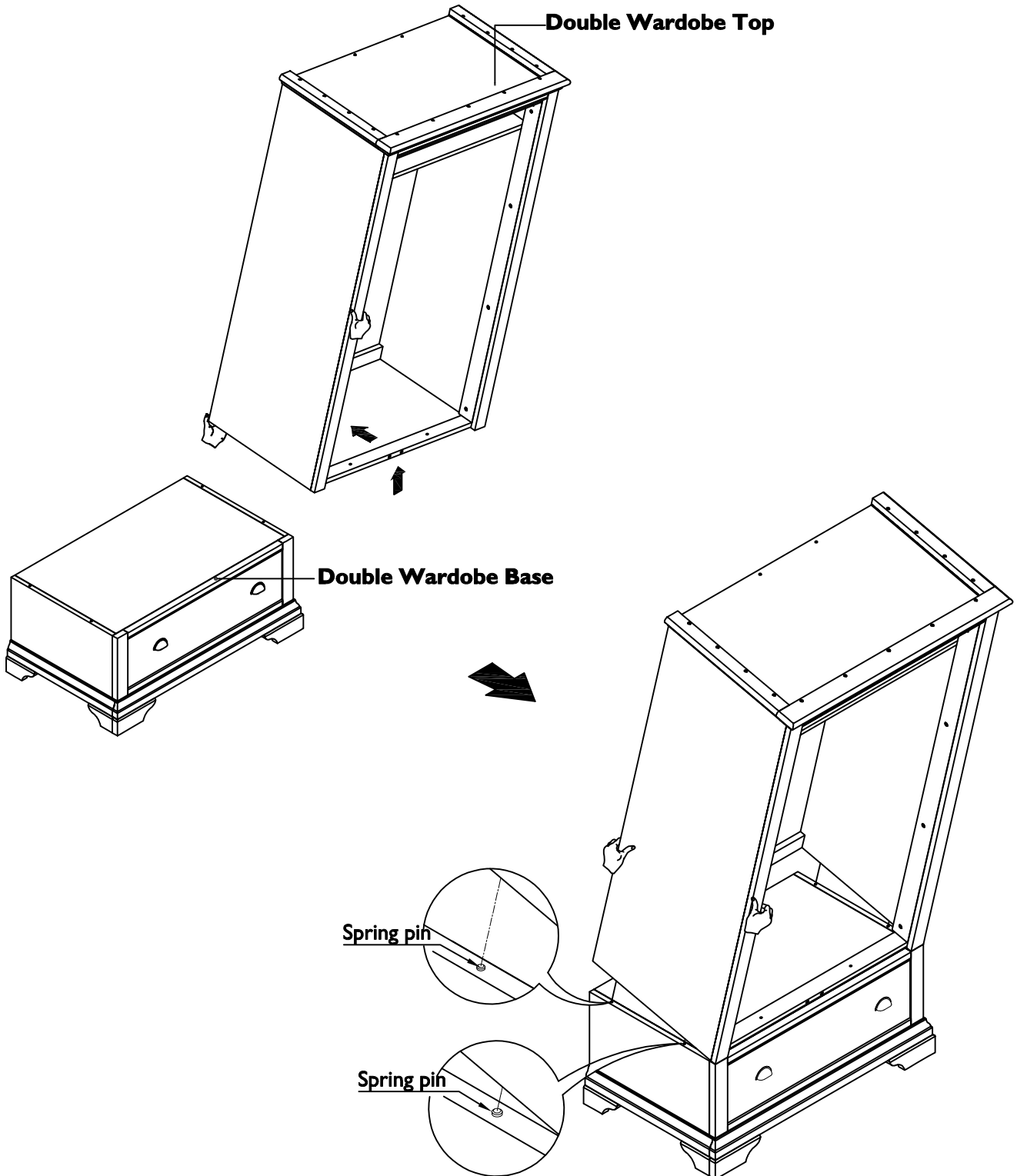


T x 4



Step By Step Assembly Instructions

- Step 11** **Note:** This product is heavy, it should be assembled as near as possible to the point of use.
- : With help of assistant, carefully lift the double wardrobe top upwards over the double wardrobe base.
 - : Carefully lower double wardrobe top onto double wardrobe base. Ensure the holes under double wardrobe top are aligned correctly with the mating spring pins on double wardrobe base to avoid damage as shown.



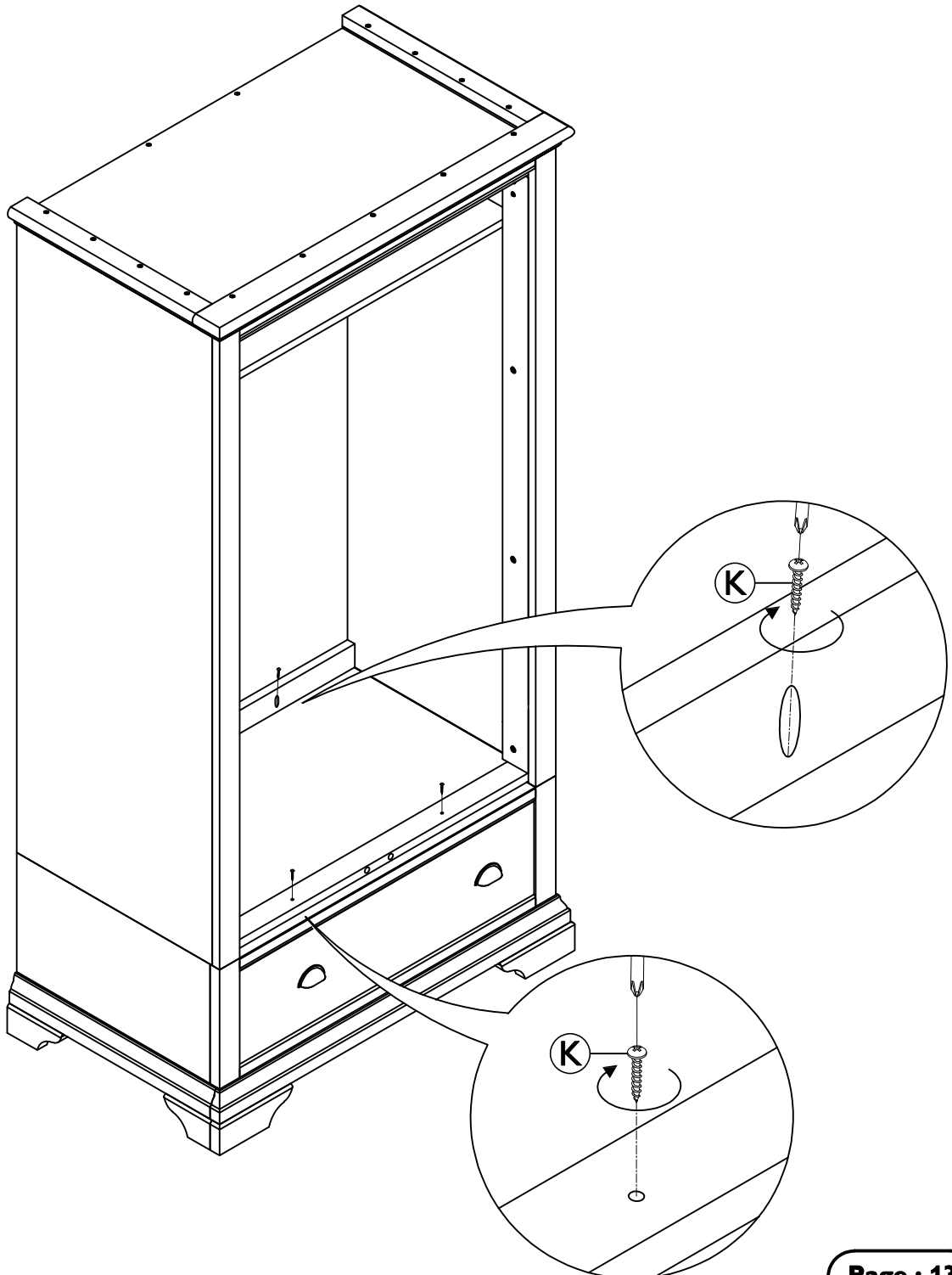
Step By Step Assembly Instructions

Step 12 : Secure double wardrobe top to double wardrobe base by screwing 4x round head screws (K) into the pre-drilled holes on bottom front and back rails (8) & (9) as shown. Use a screwdriver to turn fittings (K) clockwise to fix.

Fitting



K x 4



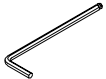
Step By Step Assembly Instructions

Step 13 : Attach doors (5) & (6) to side panels (1) & (2) using 8x hex head bolts (H) as shown. Ensure the holes on doors (5) & (6) are aligned correctly with the mating spring pins on side panels (1) & (2) to avoid damage. Use allen key (Q) to turn fittings (H) clockwise to fix.

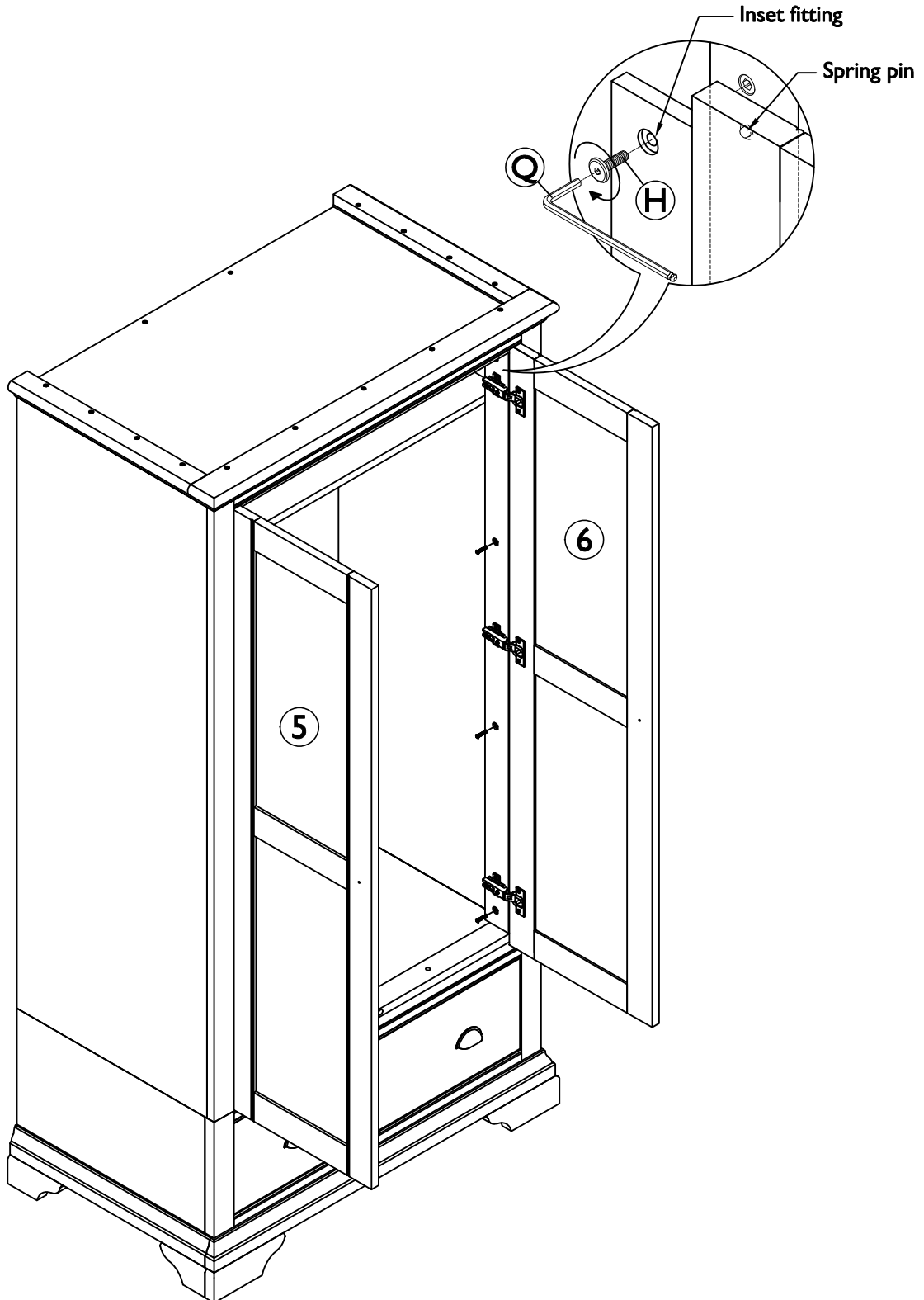
Fitting



H x 8



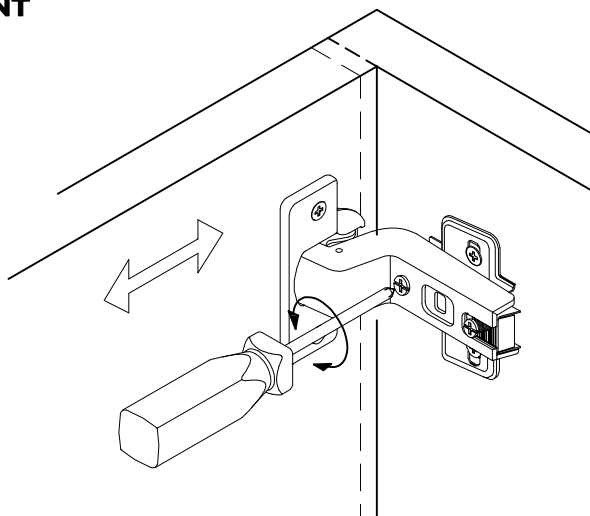
Q x 1



HINGE ADJUSTMENT INSTRUCTIONS

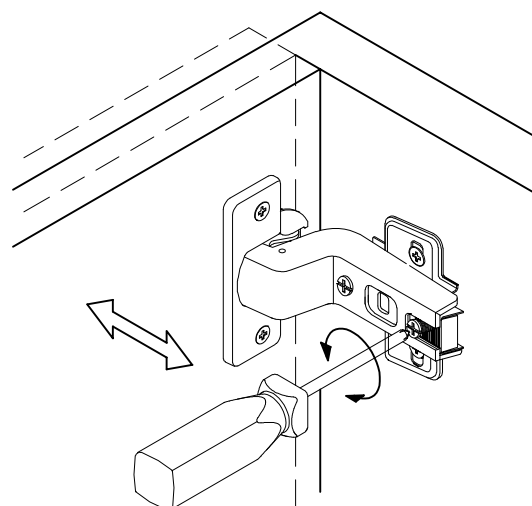
LATERAL ADJUSTMENT

by screw adjustment.



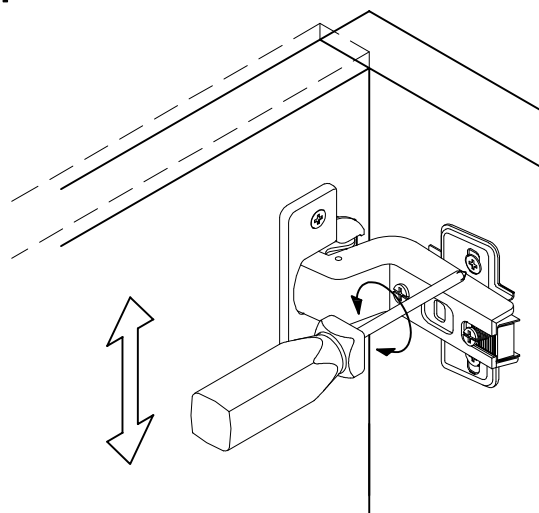
FRONT-TO-BACK

by slackening and retightening the hinge-arm mounting screw.



VERTICAL ADJUSTMENT

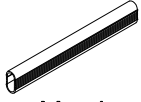
via slots on mounting plate by slackening and retightening the screws on mounting plate



Step By Step Assembly Instructions

- Step 14** 14.1 : Attach 2x knobs (R) to the front of doors (5) & (6) using 2x round head bolts (S) as shown. Use a screwdriver to turn fittings (S) clockwise to fix.
- 14.2 : Place hanger rail (N) onto hanger rail support (F) on side panels of unit as shown.

Fitting



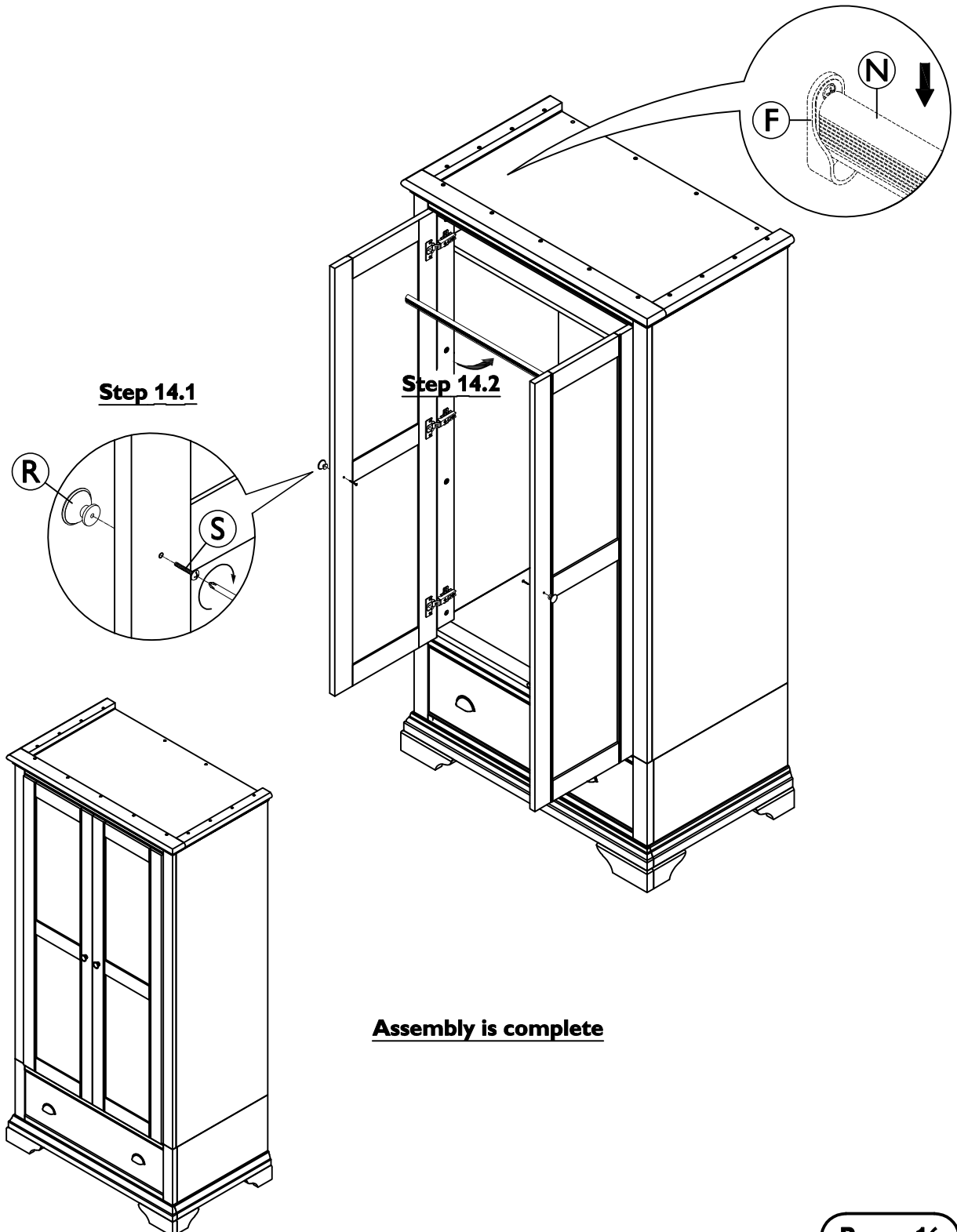
N x 1



R x 2

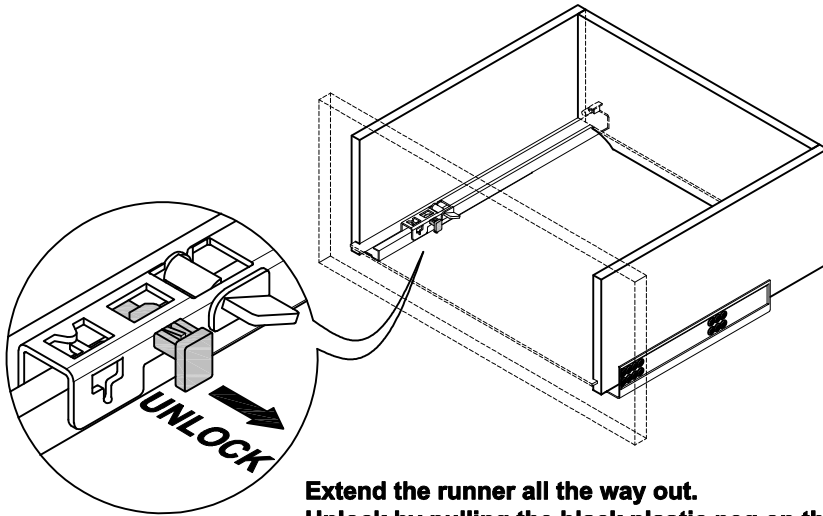


S x 2

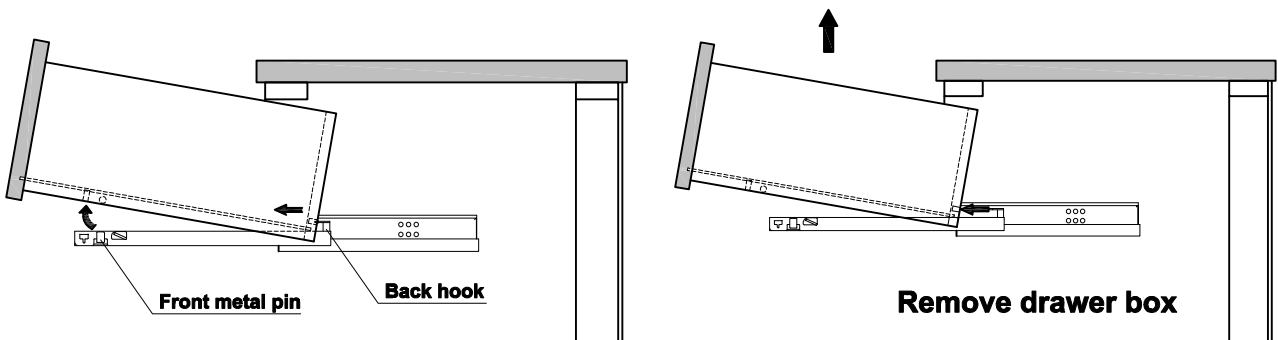


TANDEM RUNNER ADJUSTMENT INSTRUCTION

REMOVE

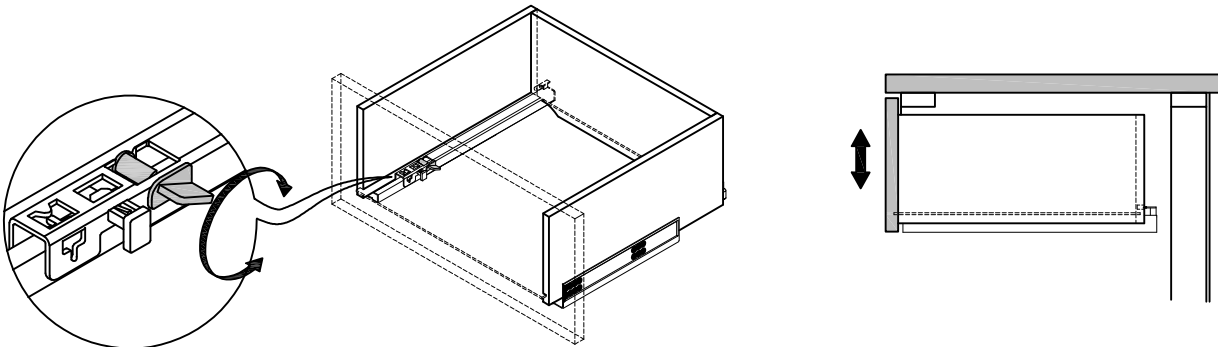


Extend the runner all the way out.
Unlock by pulling the black plastic peg on the runner out.



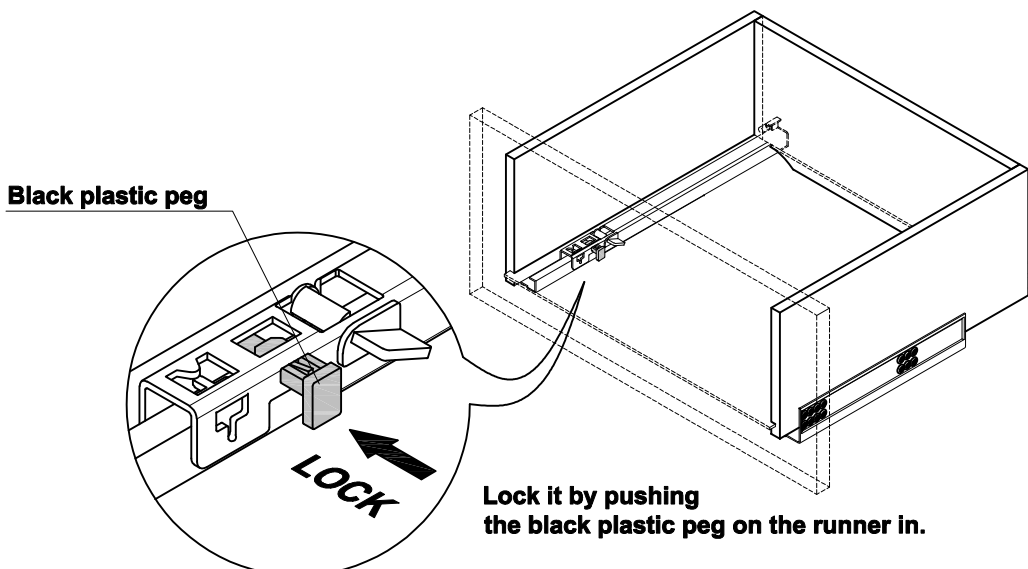
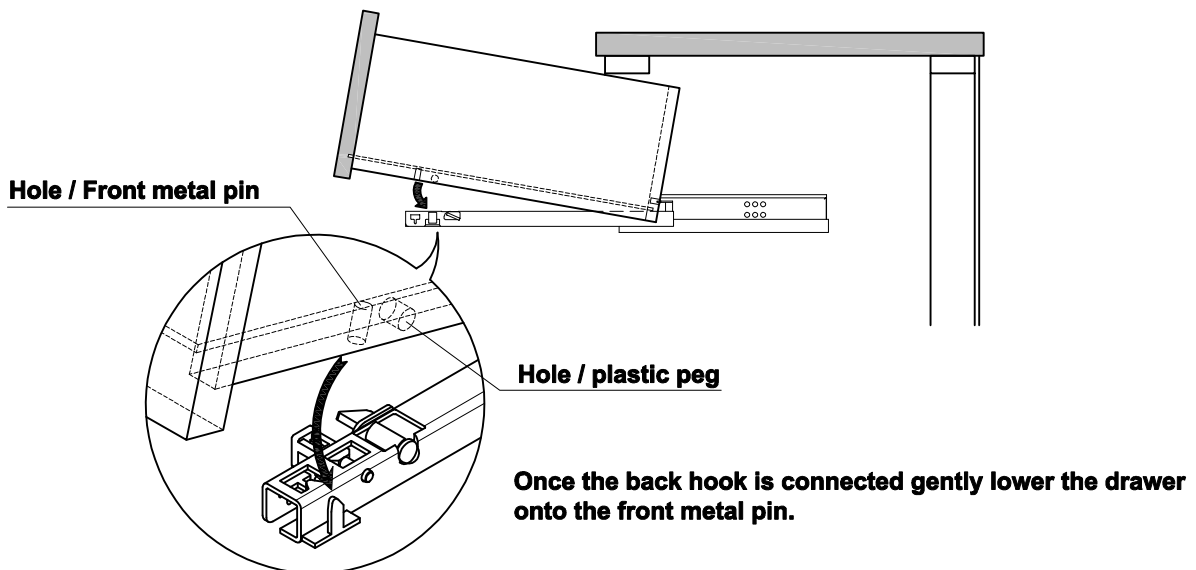
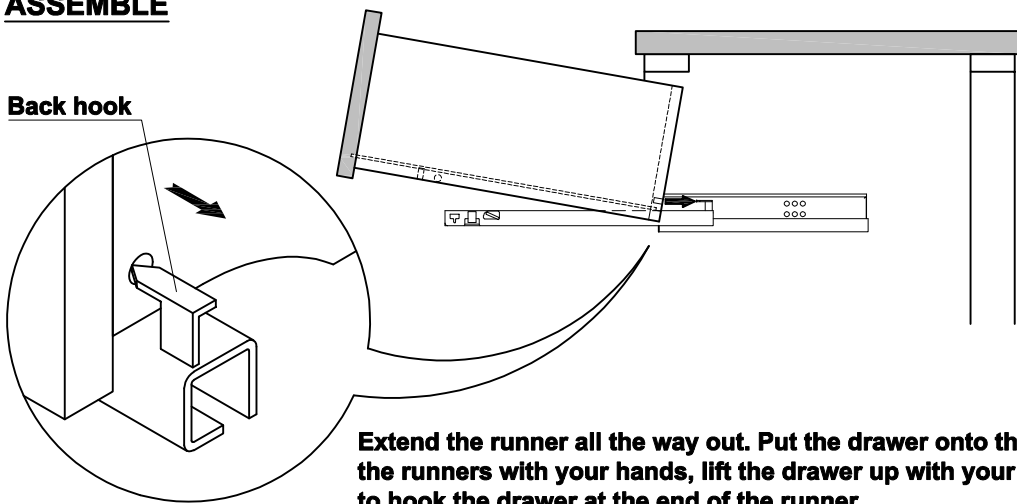
Hold runners with both of your hands.
Carefully lift the drawer front up from the front metal pin, then slide forward to remove from back hooks.

VERTICAL ADJUSTMENT (± 2.5 mm)



TANDEM RUNNER ADJUSTMENT INSTRUCTION

ASSEMBLE



Care and Maintenance

Wood Furniture

Wood displays different grain patterns depending on which way they are cut - for example, the 'medullary ray' which can appear on oak furniture is a mark of good quality timber - these are just characteristics of the natural beauty of the wood.

Some furniture is also deliberately aged and rustic.

Wood veneers also allow distinctive patterns to be created on some surfaces, such as table tops and drawer fronts by the way slivers are arranged.

All timber and veneer surfaces will change colour and mellow over time. New furniture will initially vary in shade from items that have been previously purchased.

How to care for your wood furniture

Dust with a clean, damp, lint free cloth. Frequent dusting will remove abrasive build up, which can damage the finish over time.

Do not use a very wet cloth or allow any liquid to contact with the veneers for a long period of time as this can permanently damage the surface. Wipe up spills immediately.

Do not use any abrasive cleaner or harsh detergent as this can damage the surface of the furniture.

Spray polishes are best avoided as they contain silicones which may spoil the furniture's surface when building up over time.

Make sure all surfaces are protected from heat and liquids by mats and coasters.

Ensure that a mat or pad is placed under paper when you are writing on the furniture surface.

Do not place rubber, cork, vinyl or plastic materials on the wood finish as chemicals within may react with the finish if left in contact for an extended period of time.

Our furniture will endure most temperatures in the home but it is best to avoid placing furniture next to heat sources such as radiators or fires. Be particularly careful with solid wood as the lack of humidity caused by home heating can cause damage such as warping, cracking or splitting.

Excessive exposure to sunlight can cause fading of your furniture.

Avoid exposing your furniture to any liquids. All liquids should be wiped up immediately with a soft, slightly damp cloth in the direction of the wood grain. If sticky liquid residues do occur, they may be removed with a dilute solution of warm soapy water followed by a clean, damp sponge. The area should then be wiped immediately in the direction of the wood grain with a clean, soft white cloth until completely dry.

Nail polish remover, hairspray, perfume, potpourri & any other products that contains solvents can damage wood upholstery finishes.

Safety Instructions:

Never drag furniture when moving it. Always lift it.

Periodically check all fixings to ensure none have come loose. Re-tighten when necessary.

Please take care when handling or moving the furniture as careless handling may cause damage or injury.

Furniture can be dangerous if incorrectly assembled. Assembly should be carried out by a competent person.

No liability will be accepted for damage or injury caused by incorrectly installed or assembled furniture.

Heavy item warning:

It is recommended to seek assistance when moving a heavy object. Take care when lifting to avoid personal injury and (or) damage to the product.

It is recommended that before moving a heavy object to a new location it is completely dis-assembled to avoid personal injury or damage to the furniture. Please be careful to retain all fittings when doing this.

PLEASE KEEP THESE INSTRUCTIONS FOR FUTURE REFERENCE