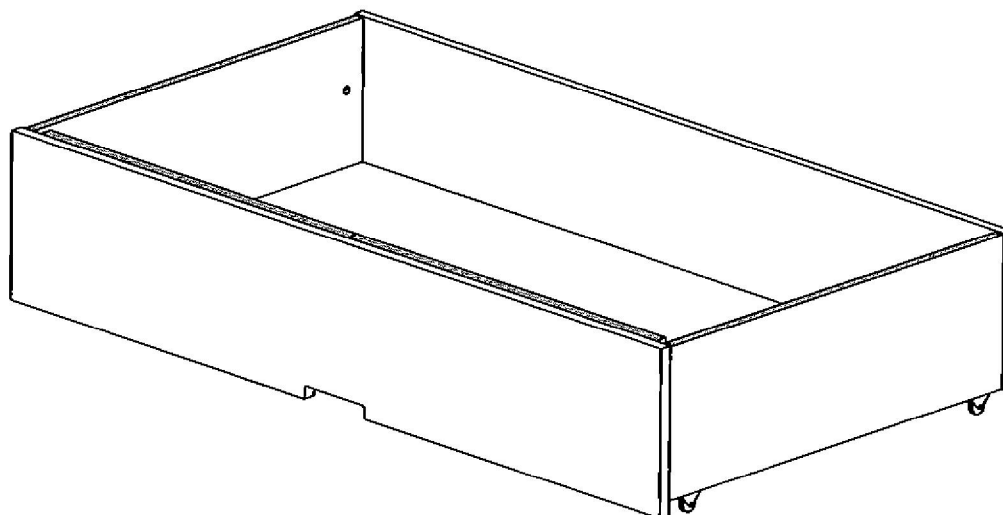


# UNDERBED DRAWER

Stock number: 790X-40

Thank you for purchasing this product. Please read the instructions carefully before use to ensure safe and satisfactory operation of this product.



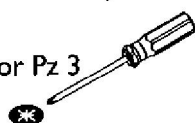
## Pre-assembly preparation

Please ensure instructions are read in full before attempting to assemble this product.

**Necessary Tools :** Pozi screwdriver and Phillips screwdriver



Pz 2 or Pz 3



Ph 2



Please check the pack contents before attempting to assemble this product. A full checklist of components is given in this leaflet. If any components are missing, please contact the retailer from whom you bought this product.

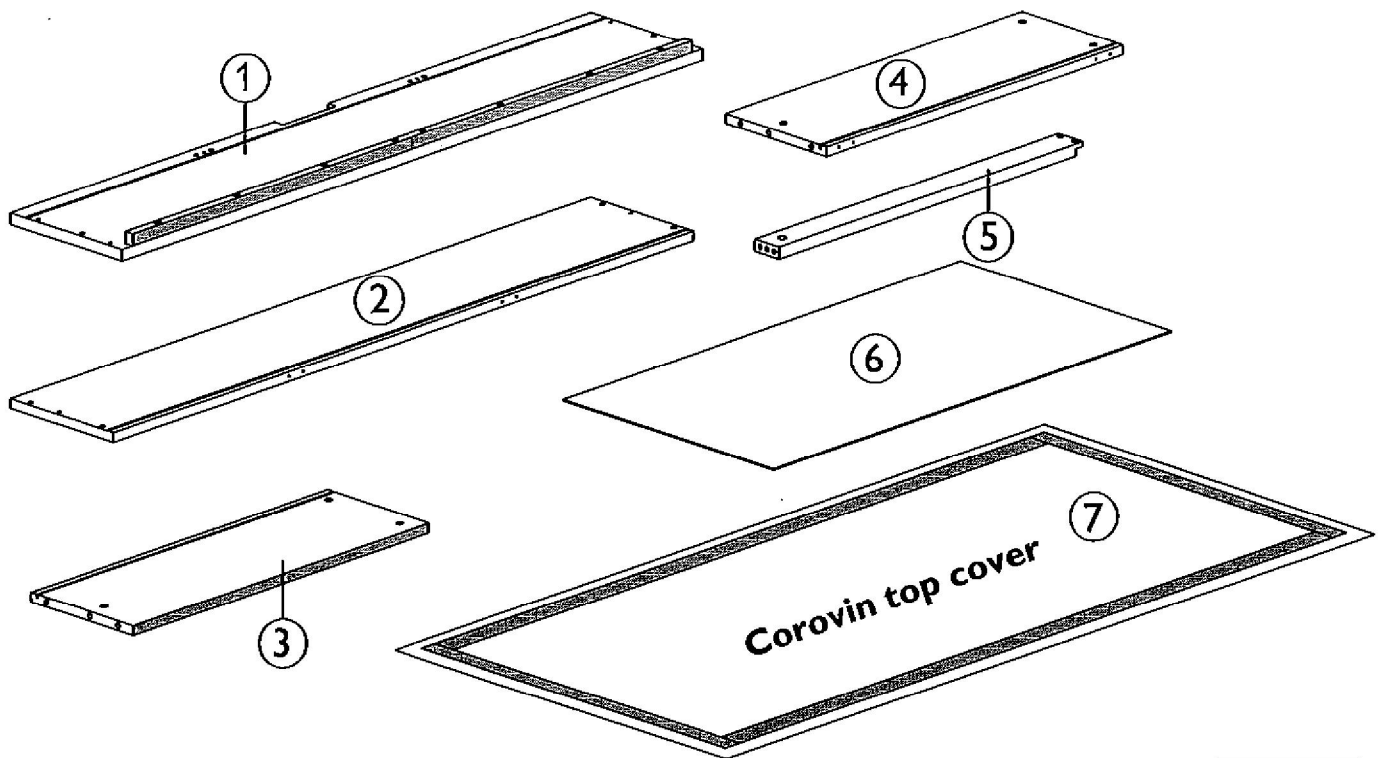
This product takes approximately **30 MINUTES** to assemble with **1 PERSON**.

All assembly should be performed on a flat, stable, clean and soft surface.

This product is **HEAVY**, it should be assembled as near as possible to the point of use. **TAKE CARE WHEN LIFTING** to avoid personal injury and (or) damage to the product

The fitting pack contains **SMALL ITEMS** which should be **KEPT AWAY FROM YOUNG CHILDREN**.

**IMPORTANT:** Retain these instructions for future reference.



## Fittings and parts checklist

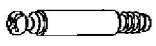
Item	Description	Qty.	Item	Description	Qty.
1	Drawer front	x 1	5	Support drawer	x 2
2	Drawer back	x 1	6	Drawer bottom	x 1
3	Left drawer side	x 1	7	Corovin top cover	x 1
4	Right drawer side	x 1			
A	Steel dowel Ø5.5 x 45	x 6	E	Round head screw Ø4 x 25	x 4
B	Grub screw Ø7 x 7.5	x 6	F	Wheel	x 4
C	Cam screw Ø7 x 44.5	x 2	G	Round head screw Ø4 x 15	x 8
D	Cam lock Ø15 x 12.5	x 2	H	Dowel Ø8 x 30	x 10


# Step By Step Assembly Instructions

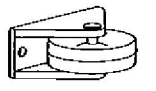
## Step 1

- 1.1: Attach 6x steel dowels (A) into the pre-drilled holes on drawer front (1) and drawer back (2) as shown. Ensure the direction of the holes on fittings (A) are facing correctly as per diagram. Use a pozi screwdriver to turn fittings (A) clockwise to fix.
- 1.2: Attach 2x cam screws (C) into the pre-drilled holes on drawer front (1) as shown. Use a screwdriver to turn fittings (C) clockwise to fix.
- 1.3: Insert 10x dowels (H) into the pre-drilled holes on left and right drawer sides (3), (4) and support drawers (5) as shown.
- 1.4: Attach 4x wheels (F) to drawer sides (3) & (4) using 8x round head screws (G) as shown. Use a screwdriver to turn fittings (G) clockwise to fix.

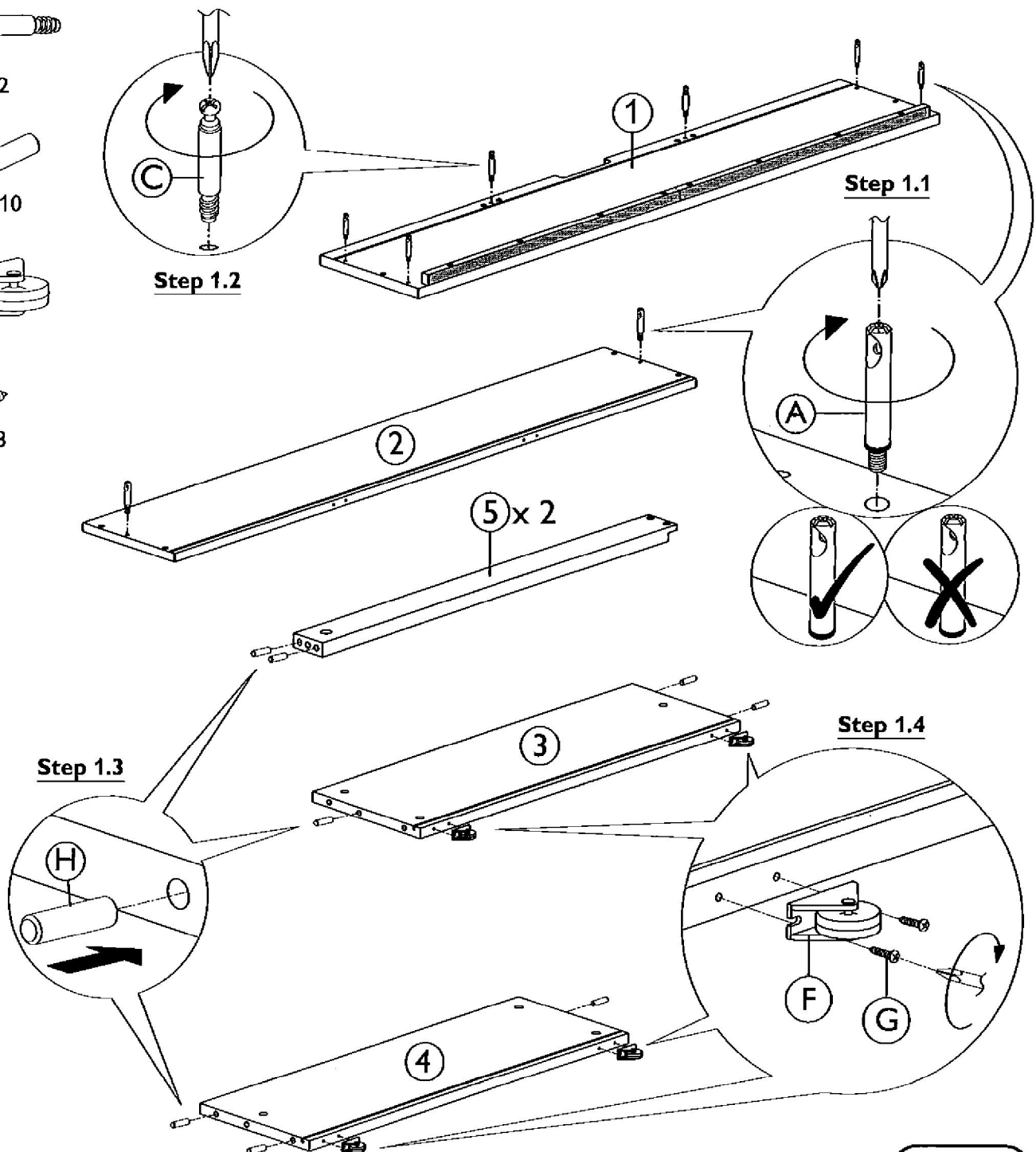
Fitting  
 O'ring  
  
 A x 6

  
 C x 2

  
 H x 10

  
 F x 4

  
 G x 8



# Step By Step Assembly Instructions

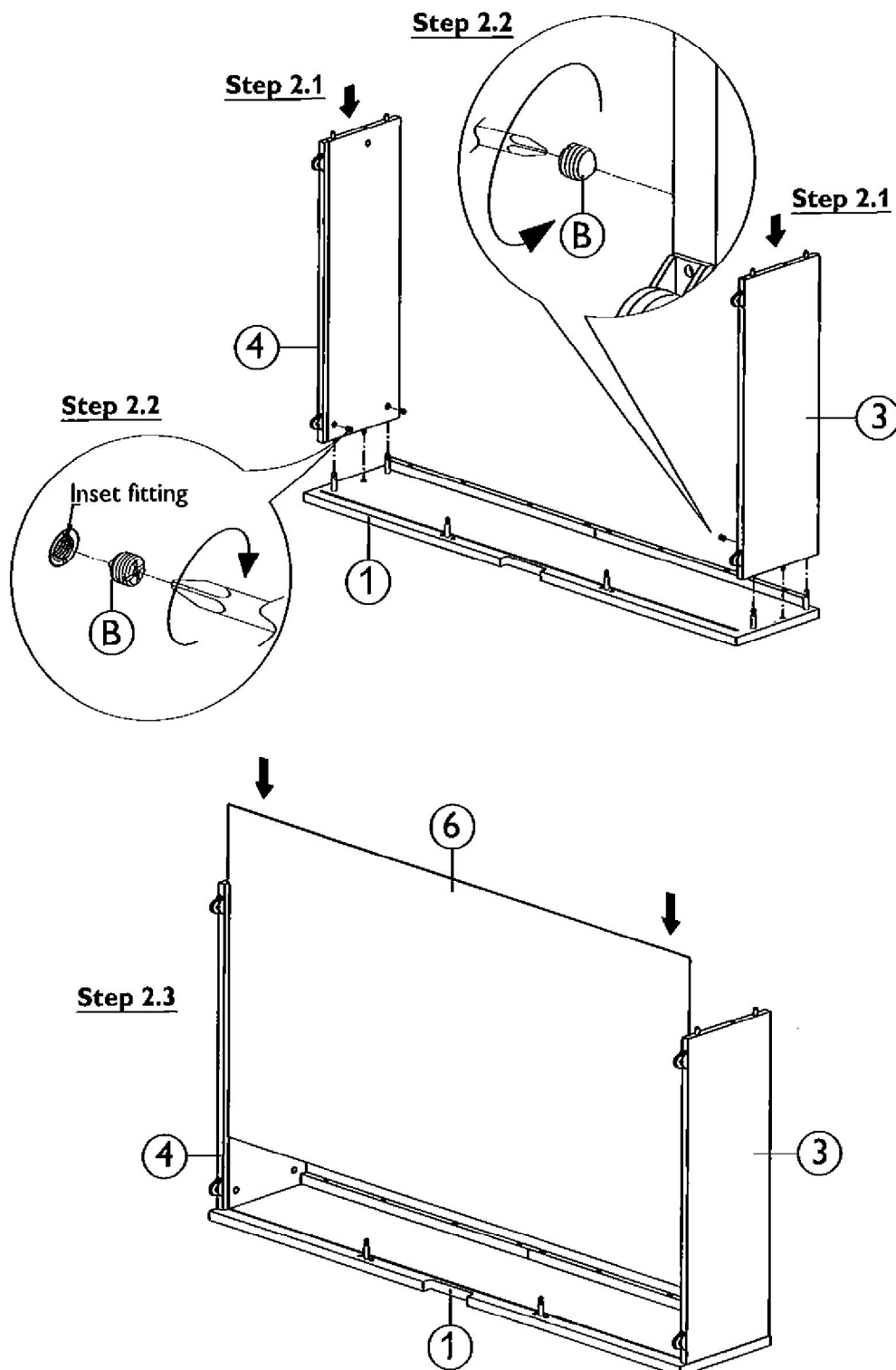
## Step 2

- 2.1: Attach drawer sides (3) & (4) onto drawer front (1) as shown. Ensure steel dowels (A) and dowels (H) are aligned correctly with the holes of mating parts before attaching.
- 2.2: Secure drawer sides (3) & (4) to drawer front (1) using 4x grub screws (B) as shown. Use a screwdriver to turn fittings (B) clockwise to fix.
- 2.3: Slide drawer bottom (6) into the slots inside drawer sides (3) and (4) as shown. Ensure the drawer bottom (6) is placed completely in the slot of drawer front (1).

Fitting



B x 4



# Step By Step Assembly Instructions

## Step 3

- 3.1: Attach support drawers (5) onto drawer front (1) as shown. Ensure cam screws (C) and dowels (H) are aligned correctly with the holes of mating parts before attaching.
- 3.2: Secure support drawers (5) to drawer front (1) using 2x cam locks (D) as shown. Use a screwdriver to turn fittings (D) clockwise to fix.
- 3.3: Place drawer back (2) onto the top of constructed drawer box as shown. Ensure the slot under drawer back (2) is aligned correctly with drawer bottom (6) and steel dowels (A) & dowels (H) are aligned correctly with the holes of mating parts before attaching.
- 3.4: Secure drawer back (2) to drawer sides (3), (4) using 2x grub screws (B) as shown. Use a screwdriver to turn fittings (B) clockwise to fix.

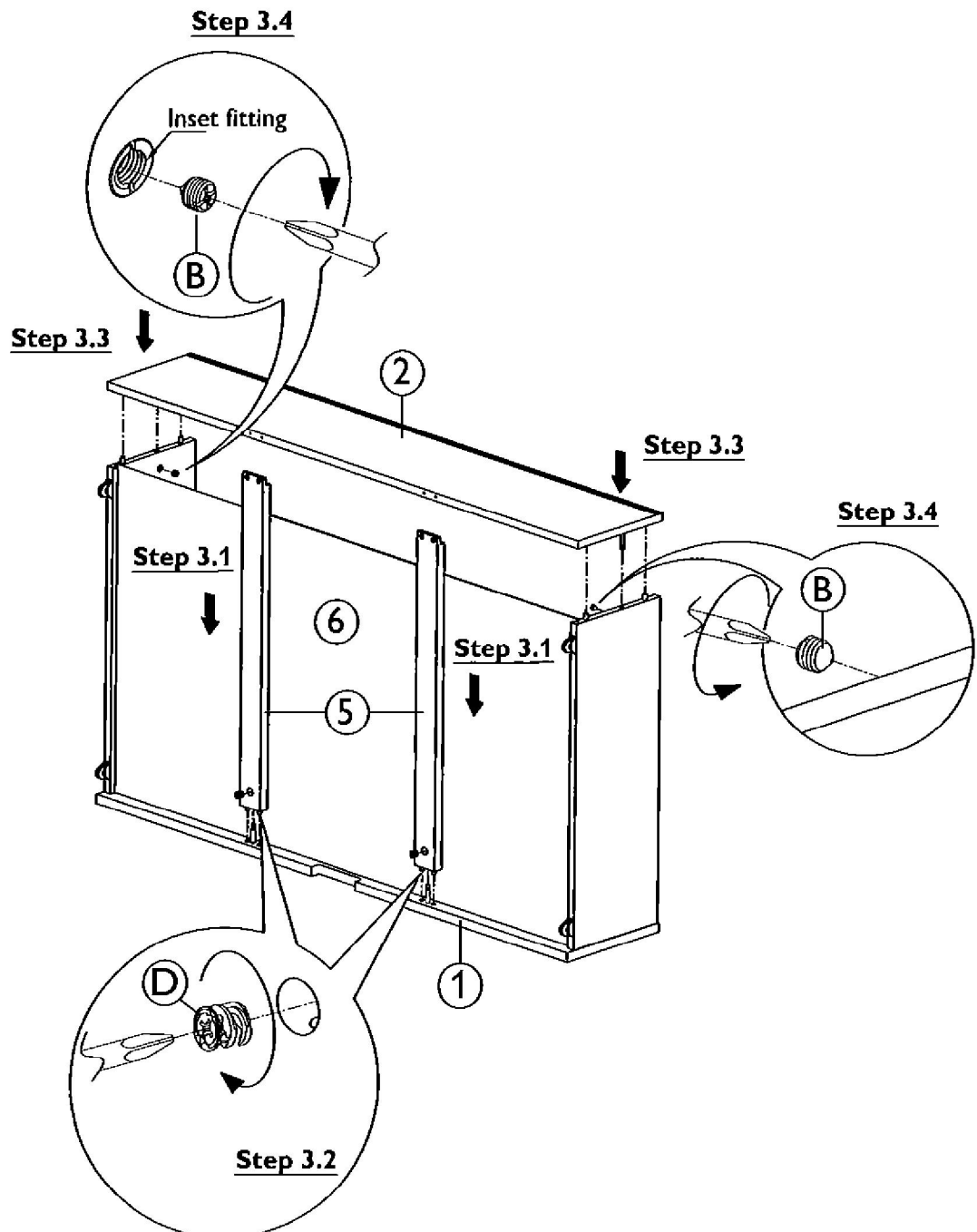
Fitting



B x 2



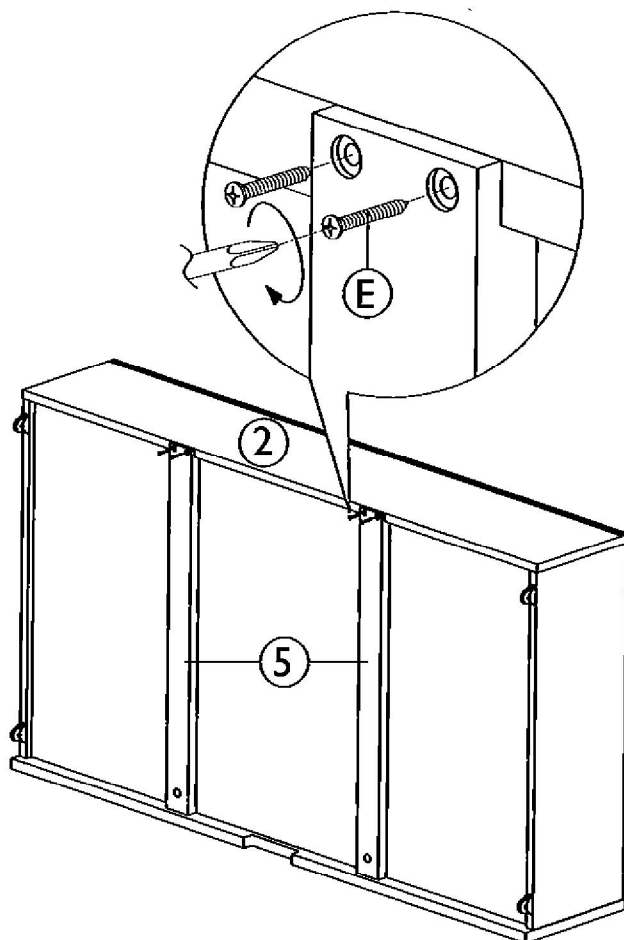
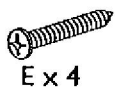
D x 2



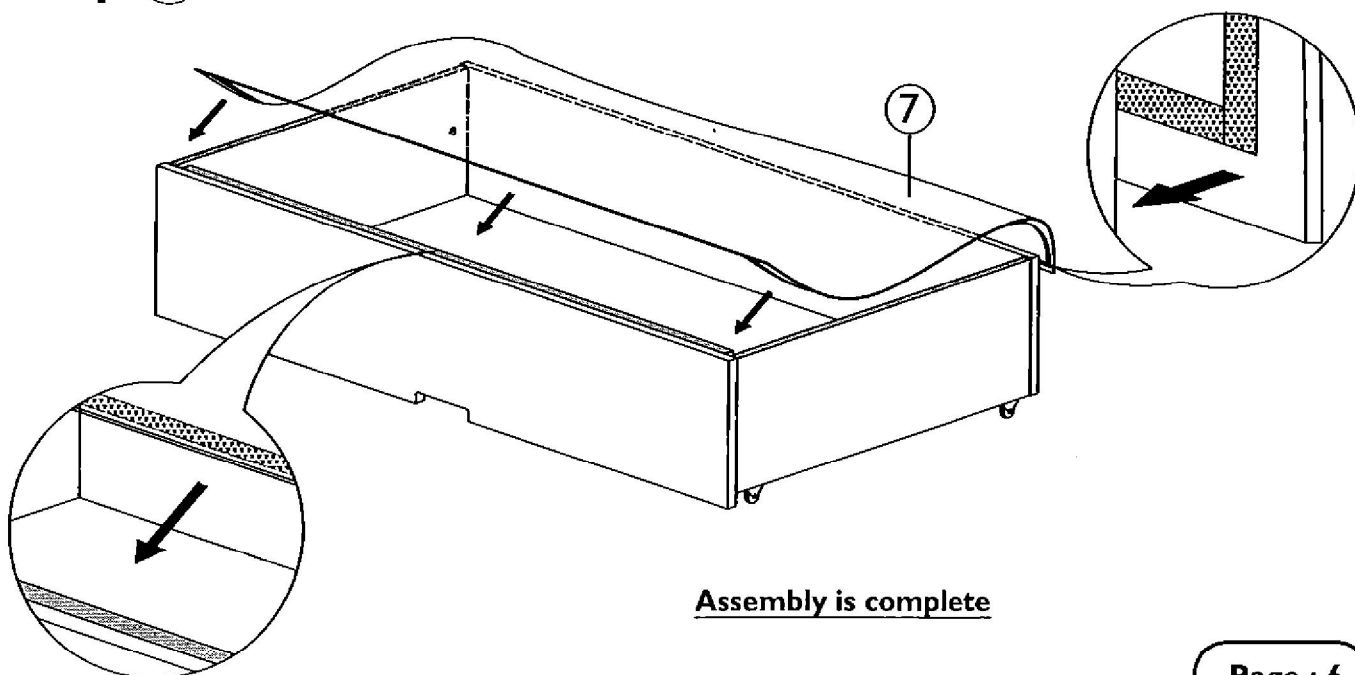
# Step By Step Assembly Instructions

**Step 4** : Secure drawer back (2) to support drawers (5) using 4x round head screws (E) as shown. Use a screwdriver to turn fittings (E) clockwise to fix.

Fitting



**Step 5** : Attach corovin (7) to the unit by sticking velcros at top and back of drawer box as shown.



---

# Care and Maintenance

## Wood Furniture

Wood displays different grain patterns depending on which way they are cut - for example, the 'medullary ray' which can appear on oak furniture is a mark of good quality timber - these are just characteristics of the natural beauty of the wood.

Some furniture is also deliberately aged and rustic.

Wood veneers also allow distinctive patterns to be created on some surfaces, such as table tops and drawer fronts by the way slivers are arranged.

All timber and veneer surfaces will change colour and mellow over time. New furniture will initially vary in shade from items that have been previously purchased.

## How to care for your wood furniture

Dust with a clean, damp, lint free cloth. Frequent dusting will remove abrasive build up, which can damage the finish over time.

Do not use a very wet cloth or allow any liquid to contact with the veneers for a long period of time as this can permanently damage the surface. Wipe up spills immediately.

Do not use any abrasive cleaner or harsh detergent as this can damage the surface of the furniture.

Spray polishes are best avoided as they contain silicones which may spoil the furniture's surface when building up over time.

Make sure all surfaces are protected from heat and liquids by mats and coasters.

Ensure that a mat or pad is placed under paper when you are writing on the furniture surface.

Do not place rubber, cork, vinyl or plastic materials on the wood finish as chemicals within may react with the finish if left in contact for an extended period of time.

Our furniture will endure most temperatures in the home but it is best to avoid placing furniture next to heat sources such as radiators or fires. Be particularly careful with solid wood as the lack of humidity caused by home heating can cause damage such as warping, cracking or splitting.

Excessive exposure to sunlight can cause fading of your furniture.

Avoid exposing your furniture to any liquids. All liquids should be wiped up immediately with a soft, slightly damp cloth in the direction of the wood grain. If sticky liquid residues do occur, they may be removed with a dilute solution of warm soapy water followed by a clean, damp sponge. The area should then be wiped immediately in the direction of the wood grain with a clean, soft white cloth until completely dry.

Nail polish remover, hairspray, perfume, potpourri & any other products that contains solvents can damage wood upholstery finishes.

## Safety Instructions:

Never drag furniture when moving it. Always lift it.

Periodically check all fixings to ensure none have come loose. Re-tighten when necessary.

Please take care when handling or moving the furniture as careless handling may cause damage or injury.

Furniture can be dangerous if incorrectly assembled. Assembly should be carried out by a competent person.

No liability will be accepted for damage or injury caused by incorrectly installed or assembled furniture.

**PLEASE KEEP THESE INSTRUCTIONS FOR FUTURE REFERENCE**