

HUDSON SWIVEL CHAIR



PRACTICAL LIGHT GREY FAUX LEATHER FOR A SMART, LOW-MAINTENANCE CHOICE



COMFORT-LED WRAPAROUND DESIGN WITH A REFINED PROFILE

360°

360° RETURN SWIVEL FUNCTION FOR EASE OF EVERYDAY USE



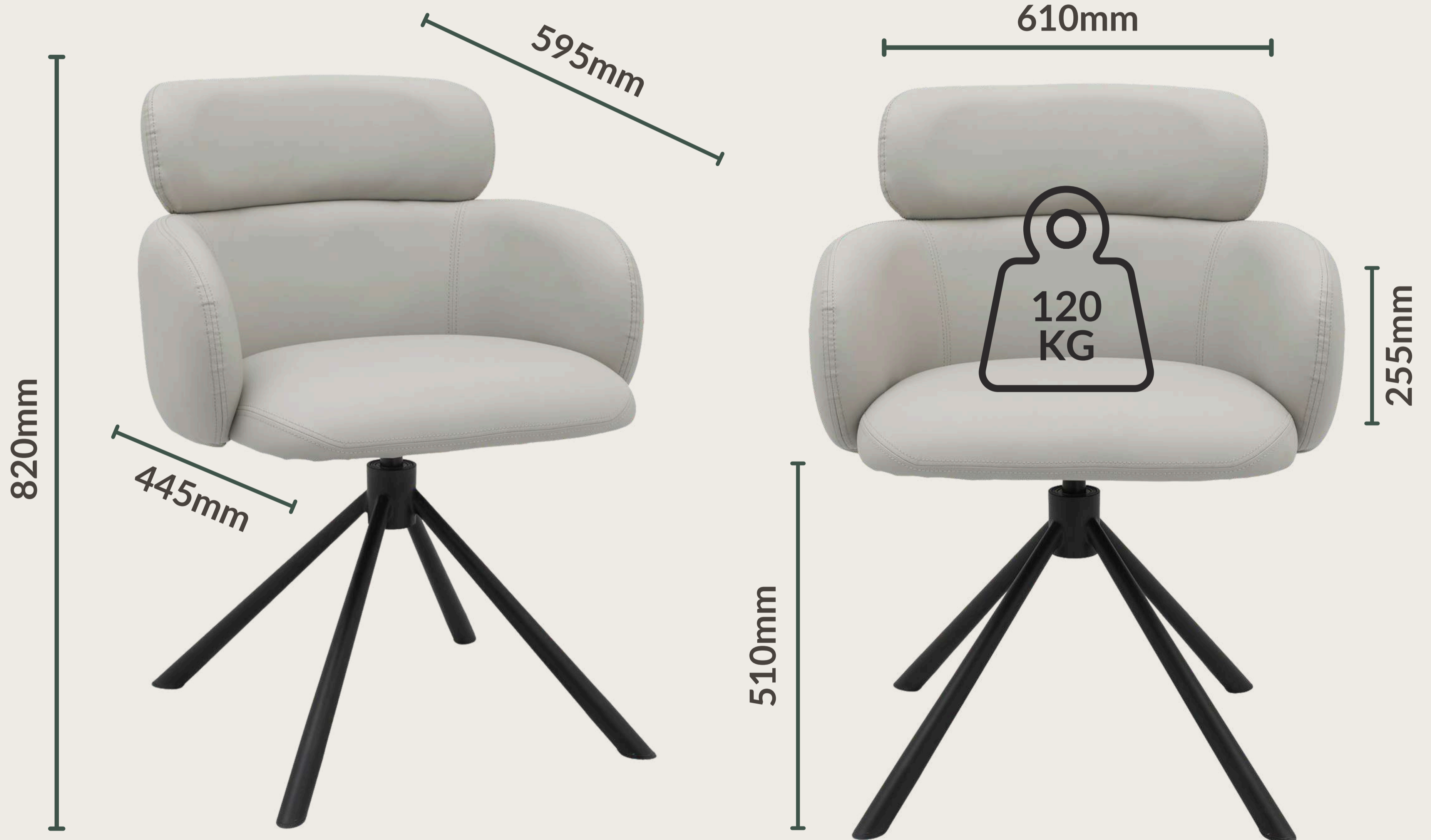
TAPERED BLACK LEGS ENHANCE THE ELEGANT SILHOUETTE



HUDSON SWIVEL CHAIR



DIMENSIONS:



HUDSON SWIVEL CHAIR



ASSEMBLY:



EASY ASSEMBLY
1 PERSON/ APPROX 15 MINS



ALLEN KEY INCLUDED



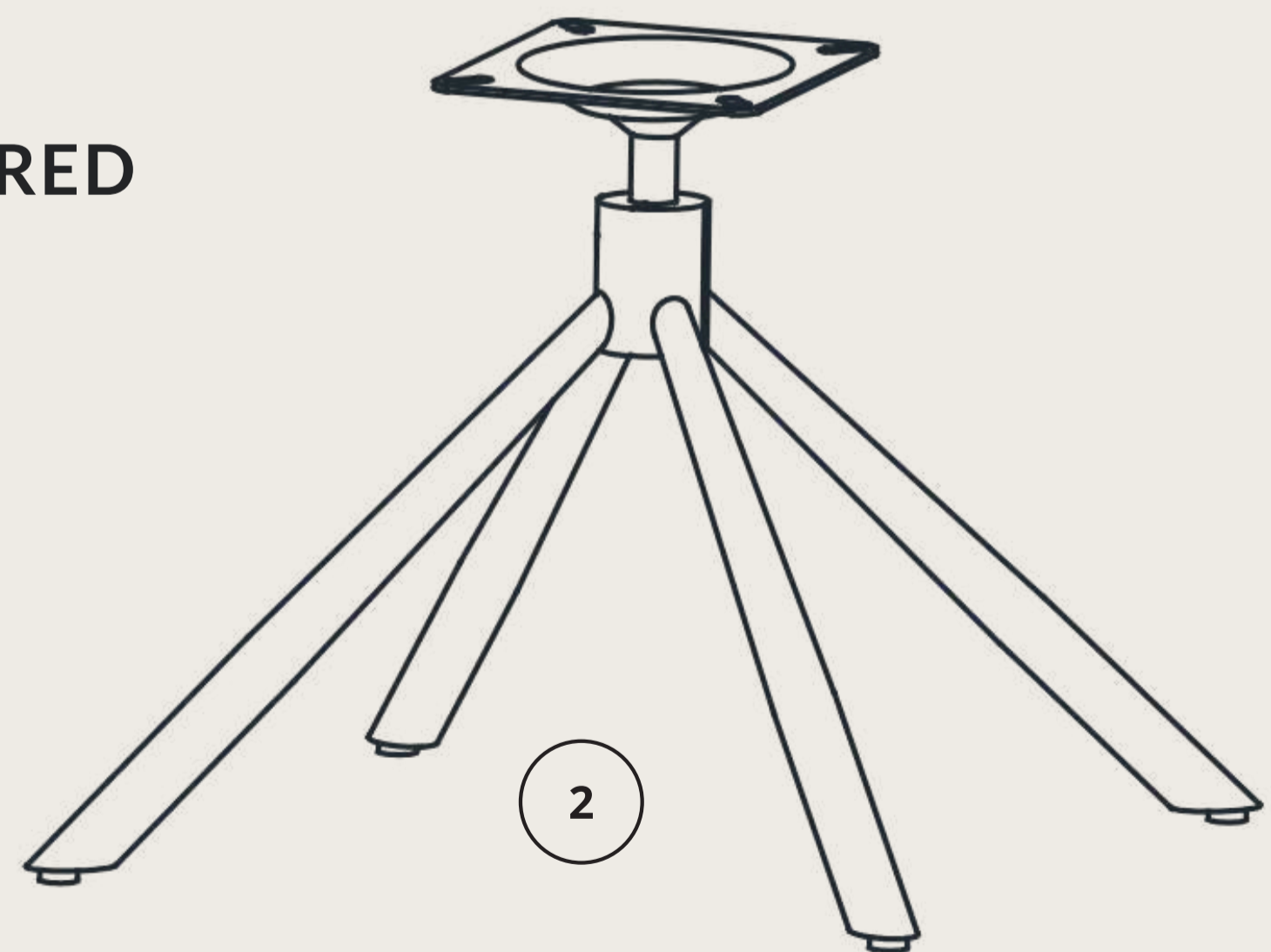
NO ADDITIONAL TOOLS REQUIRED



ONLY 2 PARTS



1



2

HUDSON SWIVEL CHAIR

AVAILABLE COLOURS:



GREEN



BROWN



LIGHT GREY



GREY



IVORY

